

BALDOR® • *RELIANCE*

Product Information Packet

CEM4313T

75HP,3555RPM,3PH,60HZ,365TSC,A36052M,TEF

Copyright © All product information within this document is subject to Baldor Electric Company copyright © protection, unless otherwise noted.

Part Detail									
Revision:	E	Status:	PRD/A	Change #:		Proprietary:	No		
Type:	AC	Prod. Type:	A36052M	Elec. Spec:	A36WG1723	CD Diagram:			
Enclosure:	TEFC	Mfg Plant:		Mech. Spec:		Layout:			
Frame:	365TSC	Mounting:	F1	Poles:	02	Created Date:	12-17-2010		
Base:		Rotation:	R	Insulation:	B	Eff. Date:	06-20-2012		
Leads:	3#2,6#4	Literature:		Elec. Diagram:		Replaced By:			
Nameplate NP2383L									
CAT.NO.	CEM4313T	SPEC NO.	P36G4677						
HP	75	AMPS	167/83.4	VOLTS	230/460	DESIGN	B		
FRAME	365TSC	RPM	3555	HZ	60	AMB	40	SF	1.15
DRIVE END BEARING	65BC03J30X	PHASE	3	DUTY	CONT	INSUL.CLASS	F		
OPP D.E. BEARING	65BC03J30X	TYPE	P	ENCL	TEFC	CODE	E		
SER.NO.		POWER FACTOR	90	NEMA-NOM-EFFICIENCY	93.6				
		MAX CORR KVAR	09.5	GUARANTEED EFFICIENCY	92.4				
NEMA NOM/CSA QUOTED EFF									
		MOTOR WEIGHT							

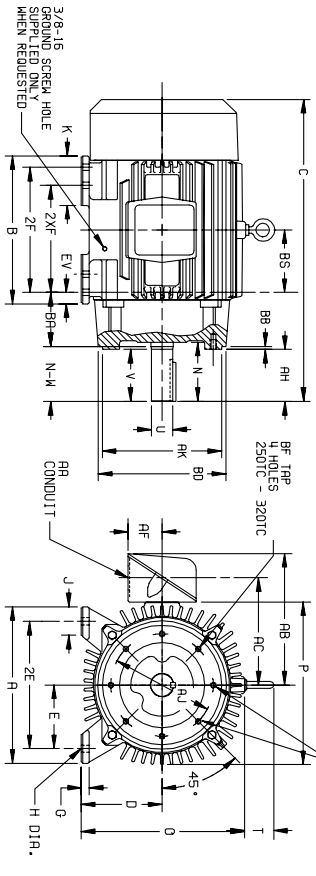
Parts List		
Part Number	Description	Quantity
SA213540	SA P36G4677	1.000 EA
RA200760	RA P36G4677	1.000 EA
421948032	LABEL, MYLAR	1.000 EA
613-6PU	N/P (RELEASE QTY 10,000)	1.000 EA
000692000VD	N/P (REL QTY 4000)	1.000 EA
NP2383L	SUPER-E ,SS, CC, CSA-C US, CSA EEV	1.000 EA
085922073B	BRKT 360 085922072WCC KB	1.000 EA
415072001B	CLAMP	1.000 EA
078559001A	+FANCV - 360	1.000 EA
034180012DA	KEY 1X4X1/4X1-1/2 L	1.000 EA
702676001C	FAN 360 - 56 PCS	1.000 EA
004824015A	GREASE POLYREX EM	0.540 LB
032018012DK	HHCS 1/2-13X1-1/2 PLTD.	4.000 EA
032018008AK	HHCS 1/4-20X1 PLATED	4.000 EA
032018024CK	HHCS 3/8-16X3 PLTD.	3.000 EA
415096002A	CPLG 1/8 HEX TYPE	1.000 EA
410700004F	WSHR	1.000 EA
035000001G	GITS GRS CUP,ODE	1.000 EA
034530052AB	P/NIP 1/8X6-1/2 GALV.	1.000 EA
034690001AB	SQHDPLG, COND	1.000 EA
034600001AA	BUSH 1/4TO1/8 BLACK	1.000 EA
034690001AB	SQHDPLG, COND	1.000 EA
034600001AA	BUSH 1/4TO1/8 BLACK	1.000 EA
085922070B	BRKT 360 085922069WCA	1.000 EA

Parts List (continued)		
Part Number	Description	Quantity
032018012DK	HHCS 1/2-13X1-1/2 PLTD.	4.000 EA
032018024CK	HHCS 3/8-16X3 PLTD.	3.000 EA
035000001G	GITS GRS CUP,ODE	1.000 EA
077176000L	C/BOX, PAINTED 360-400	1.000 EA
077176001A	CBOXC, PAINTED 360-400	1.000 EA
043292000AJ	GASK 320-400	1.000 EA
402731001A	GASK 360-440	1.000 EA
418150003A	GREASE FITTING CAP	1.000 EA
MG1000Y03	WILKO 689.710 GOLD PAINT SUPER E	0.250 GA
033775004EA	DRSCR #6-1/4 304 S.S.	2.000 EA
032018005AK	HHCS 1/4-20X5/8 PLATED	4.000 EA
032018008CK	HHCS 3/8-16X1L PLATED	4.000 EA
035000001A	ALFTG 1/8" 1610-BL	1.000 EA
415000003D	T/LUG 897-777 KPA25/G16	1.000 EA
406099000A	PLUG - FAN COVER 320-440	1.000 EA
033512004LB	HHTTS 1/4-20X1/2 PLTD.	1.000 EA
035000001A	ALFTG 1/8" 1610-BL	1.000 EA
418150003A	GREASE FITTING CAP	1.000 EA
034180016GA	KEY 1/2X1/2X2 L	1.000 EA
LB1346	LABEL,SUPER-E GP(4X4)	1.000 EA
N424003509DBA	LEAD SET 2-1/4-1 AWG 6-DB 360 FR 54 IN	1.000 EA
14PA1000	PACKAGING 314 GROUP COMBINED PRINT	1.000 EA

611740-003-SHI

DUTY MASTER ALTERNATING CURRENT MOTORS

ENCLOSURE: TOTALLY ENCLOSED
 SQUIRREL-CAGE INDUCTION
 COOLING: FAN COOLED
 MOUNTING: FOOT, NEMA "C" FACE
 FRAMES 250TC THRU 440TC



DIMENSIONS ARE IN INCHES. SEE SHEET 2 FOR DIMENSIONS IN MILLIMETERS

FRAME	A	D(2)	E	G	H	J	K	EV	O	P	T	AA	AB	AC	AE	BA	BB	BD	BF	WHS DEPTH	AJ	AK	
254TC-256TC	12.50	6.25	5.00	.75	1.56	2.50	---	1.00	13.25	13.25	4.26	4.44	1-1/4	10.75	8.75	2.50	4.75	25	11.25	1-2-1/3	.75	7.25	8.50
254TC-266TC	13.75	7.00	5.50	.75	1.56	2.50	---	1.00	14.75	14.88	2.44	1-1/2	12.75	10.00	3.19	4.75	25	11.25	1-2-1/3	.75	9.00	10.50	10.50
264TC	15.50	8.00	6.25	.88	1.69	2.75	4.50	---	16.75	17.00	2.44	2	15.19	11.44	4.28	5.25	25	13.12	5/8-11	.94	11.00	12.50	12.50
284TC	17.00	9.00	7.00	.88	1.69	2.75	3.88	1.38	18.50	19.50	2.94	3	18.06	14.00	5.38	5.88	25	13.00	5/8-11	.94	11.00	12.50	12.50
324TC	19.00	10.00	8.00	1.12	.81	3.25	4.62	1.13	21.31	22.50	2.94	3	19.31	15.28	5.38	6.62	25	13.12	5/8-11	.94	11.00	12.50	12.50
440TC-445TC	21.00	11.00	9.00	1.12	.81	3.25	5.25	---	23.38	25.25	3.25	3	23.38	18.12	6.50	7.50	25	16.75	5/8-11	.94	14.00	16.00	16.00

FRAME	SIZE	C	BS	B	ZF	(4) 2XF	N	AH	N-W7	U(3)	V	SO.	LGTH.	WEIGHT (LBS.) (5)
254TC	25.06	5.00	12.00	---	8.25	4.06	3.75	4.00	1.625	3.75	3.75	2.88	3.15	325
256TC	25.06	5.00	12.00	10.00	---	4.06	3.75	4.00	1.625	3.75	3.75	2.88	3.25	345
264TC	27.44	5.50	13.00	---	9.50	5.00	4.38	4.62	1.875	4.38	5.00	3.25	4.45	445
284TC	26.06	5.50	13.00	---	9.50	5.00	3.25	1.625	3.00	3.75	1.88	4.45	445	
286TC	27.44	5.50	13.00	11.00	---	5.00	4.38	4.62	1.875	4.38	5.00	3.25	4.60	460
286TSC	26.06	5.50	13.00	11.00	---	5.00	3.25	1.625	3.00	3.75	1.88	4.60	460	
324TC	30.44	6.00	14.75	---	10.50	5.62	5.00	5.25	2.125	5.00	5.00	3.88	5.55	555
324TSC	28.94	6.00	14.75	---	10.50	5.62	5.00	5.25	2.125	5.00	5.00	3.88	5.95	555
326TC	30.44	6.00	14.75	12.00	---	5.62	5.00	5.25	2.125	5.00	5.00	3.88	5.95	555
326TSC	28.94	6.00	14.75	12.00	---	5.62	5.00	5.25	2.125	5.00	5.00	3.88	5.95	555
364TC	33.44	6.12	15.00	---	11.25	6.25	5.88	2.375	5.62	6.25	6.25	4.25	8.15	815
364TSC	31.51	6.12	15.00	---	11.25	6.25	5.88	2.375	5.62	6.25	6.25	4.25	8.09	809
365TC	33.44	6.12	15.00	12.25	---	6.25	5.88	2.375	5.62	6.25	6.25	4.25	8.55	855
365TSC	31.51	6.12	15.00	12.25	---	6.25	5.88	2.375	5.62	6.25	6.25	4.25	8.49	849
404TC	35.31	6.88	16.00	---	12.25	7.50	7.00	4.25	2.125	4.00	5.00	3.75	11.65	1165
404TSC	35.31	6.88	16.00	---	12.25	7.50	7.00	4.25	2.125	4.00	5.00	3.75	11.95	1195
405TC	35.31	6.88	16.00	13.75	---	7.50	7.00	4.25	2.125	4.00	5.00	3.75	11.66	1166
405TSC	35.31	6.88	16.00	13.75	---	7.50	7.00	4.25	2.125	4.00	5.00	3.75	11.96	1196
444TC	44.62	8.25	19.00	---	14.50	8.94	8.25	8.50	3.375	8.25	8.75	6.88	16.08	1608
444TSC	40.88	8.25	19.00	---	14.50	8.94	8.25	8.50	3.375	8.25	8.75	6.88	15.92	1592
445TC	44.62	8.25	19.00	16.50	---	8.94	8.25	8.50	3.375	8.25	8.75	6.88	17.98	1798
445TSC	40.88	8.25	19.00	16.50	---	8.94	8.25	8.50	3.375	8.25	8.75	6.88	17.82	1782

CUSTOMER IS RESPONSIBLE FOR DETERMINING THAT MOTOR PERFORMANCE IS SUITABLE IN THE APPLICATION.

REV. DESC: REMOVEING TITLE BLOCK	VERSION: 01	TDR: 000000441900
REV. LTR: A	REVISED: 09:15:38 08/28/2007	BY: RAGRHX
FILE: \RAG\00003\380		
MTL: -		

Baldor • Dodge • Reliance

DIM SHEET 250TC THRU 440TC

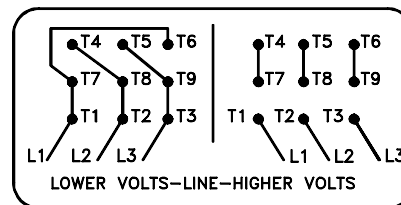
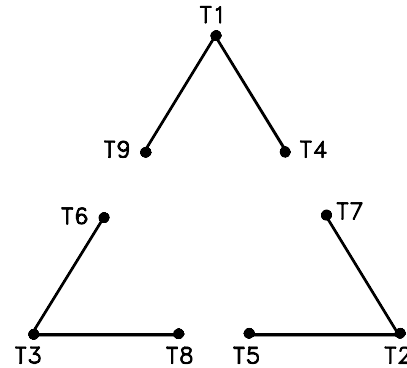
- (1) SPECIAL DIMENSIONS APPLYING TO THIS ORDER ON THIS LINE.
- (2) "D" VARIES _____ 250TC - 320TC +.00, -.03
 _____ 360TC - 440TC +.00, -.06
 HP TO 1.625 DIA. +.000, -.0005
- (3) "J" VARIES _____ 1.625 AND LARGER +.000, -.001.
- (4) ALL FRAMES HAVE EIGHT MOUNTING HOLES FOR DUAL MOUNTING.
- (5) MOTOR WEIGHTS MAY VARY BY 1% DEPENDING UPON RATING.
- (6) "AK" VARIES _____ 250TC - 280TC +.000, -.003
 _____ 320TC - 440TC +.000, -.005
- (7) "N," "W" VARIES +.00 - .25.

FRAME _____ TYPE _____ CERTIFIED FOR _____
 ORDER _____ ITEM _____ HP _____ RPM _____ PH _____ HZ _____ VOLTS _____
 RELIANCE SALES ORDER _____ APPROVED BY _____ DATE _____

HHS-300-0471119

416820-002

A-C MOTOR
 CONNECTION DIAGRAM
 STANDARD 9 LEAD DELTA-CONNECTED



(N.P. 1575-B)

416820-002

REV. DESC: LOADED TO BUS, C/R 335225		
REV. LTR: -	VERSION: 00	TDR: 000000538207
FILE: \MGA\00000\661	REVISED: 10: 47: 51 04/30/2010	
MTL: -	BY: RAGRA	

BALDOR

CONN DIAG - STANDARD 9 LEAD, DELTA-CONNECTED

SH 1 of 1