

# **BALDOR**® • *RELIANCE*

## Product Information Packet

# **CESSWDM3554T-5**

**1.5HP, 1760RPM, 3PH, 60HZ, 145TC, 3528M, TEFC**

Copyright © All product information within this document is subject to Baldor Electric Company copyright © protection, unless otherwise noted.

Part Detail							
Revision:	B	Status:	PRD/A	Change #:		Proprietary:	No
Type:	AC	Prod. Type:	3528M	Elec. Spec:	35WGM811	CD Diagram:	
Enclosure:	TEFC	Mfg Plant:		Mech. Spec:	35VV818	Layout:	
Frame:	145TC	Mounting:	F1	Poles:	04	Created Date:	06-22-2010
Base:	RG	Rotation:	R	Insulation:	F	Eff. Date:	04-02-2012
Leads:	3#18	Literature:		Elec. Diagram:		Replaced By:	

Parts List		
Part Number	Description	Quantity
SA199206	SA 35VV818M811G1	1.000 EA
RA186544	RA 35VV818M811G1	1.000 EA
34FN3002B01	EXTERNAL FAN, PLASTIC, .637/.639 HUB W/	1.000 EA
NS2512A01	INSULATOR, CONDUIT BOX X	1.000 EA
35CB5001A17	KOBX KIT, (ALL STAINLESS) W/ .75 NPT	1.000 EA
11XW1032G06	10-32 X .38, TAPTITE II, HEX WSHR SLTD U	1.000 EA
HW3001B01	003SS CUP WASHER, FOR #8 SCREW	1.000 EA
35EP1913A02	FR EP MADE FROM 35EP1913A01	1.000 EA
HW4500A33	1/8 NPT STAINLESS,HOLO-KROME #13002,PRES	3.000 EA
HW4606A01	JM CLIPPER/SEAL (WDE-0667-1064-BH49)	1.000 EA
HW5100A03SP	WAVY WASHER (W1543-017)	1.000 EA
35PE1914A02	PU EP ASSY. FOR LOCKED BRG	1.000 EA
HW4606A02	JM CLIPPER/SEAL (LWE-0938-1624-AL23)	1.000 EA
12XN1032S22	10-32 X 1 3/8 SLOT HEX, STAINLESS STEEL	2.000 EA
HA1049A01	DUBO LOK WASHER SIZE 10 (NYLON LOCK SEAL	2.000 EA
HA1049A01	DUBO LOK WASHER SIZE 10 (NYLON LOCK SEAL	4.000 EA
51XB1214A16	12-14X1.00 HXWSSLD SERTYB	1.000 EA
35FH4005A39	IEC FH NO GREASER (#304 SS)CLEAN ONLY	1.000 EA
10XN1032S06	HEX HD CAP SCREW, SS	3.000 EA
HW2502D13	SS KEY, 3/16 SQ X 1.375	1.000 EA
HA7000A01	KEY RETAINER 7/8" DIA SHAFT	1.000 EA
MJ5001A02	732 CL SEALANT 3 OZ DIXIE BEARING 289100	0.001 EA
MJ1000A75	GREASE, POLYREX EM EXXON	0.050 LB
HA3100S14	THRUBOLT 10X32 X 8.875 302 OR 303 SS	4.000 EA

Parts List (continued)		
Part Number	Description	Quantity
LB1357	ENERGY GUIDE LABEL (BOX LABEL)	1.000 SH
LB1125C02	SUPER-E (STOCK CTN LABEL SUPER-E WITH FL	1.000 EA
36PA1000	PACK GROUP W/LB5001	1.000 EA

**Performance Data at 575V, 60Hz, 1.5HP (Typical performance - Not guaranteed values)**

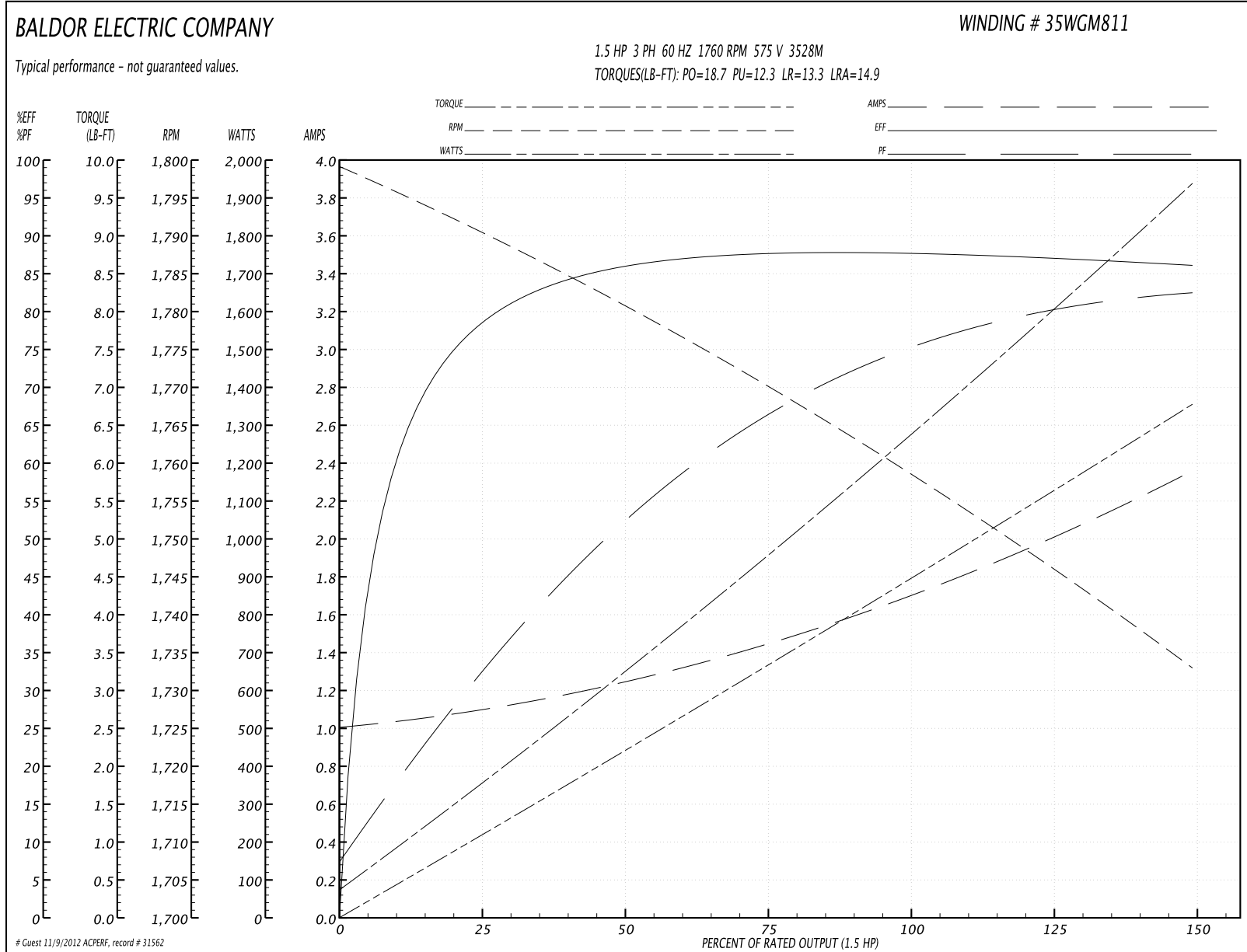
**General Characteristics**

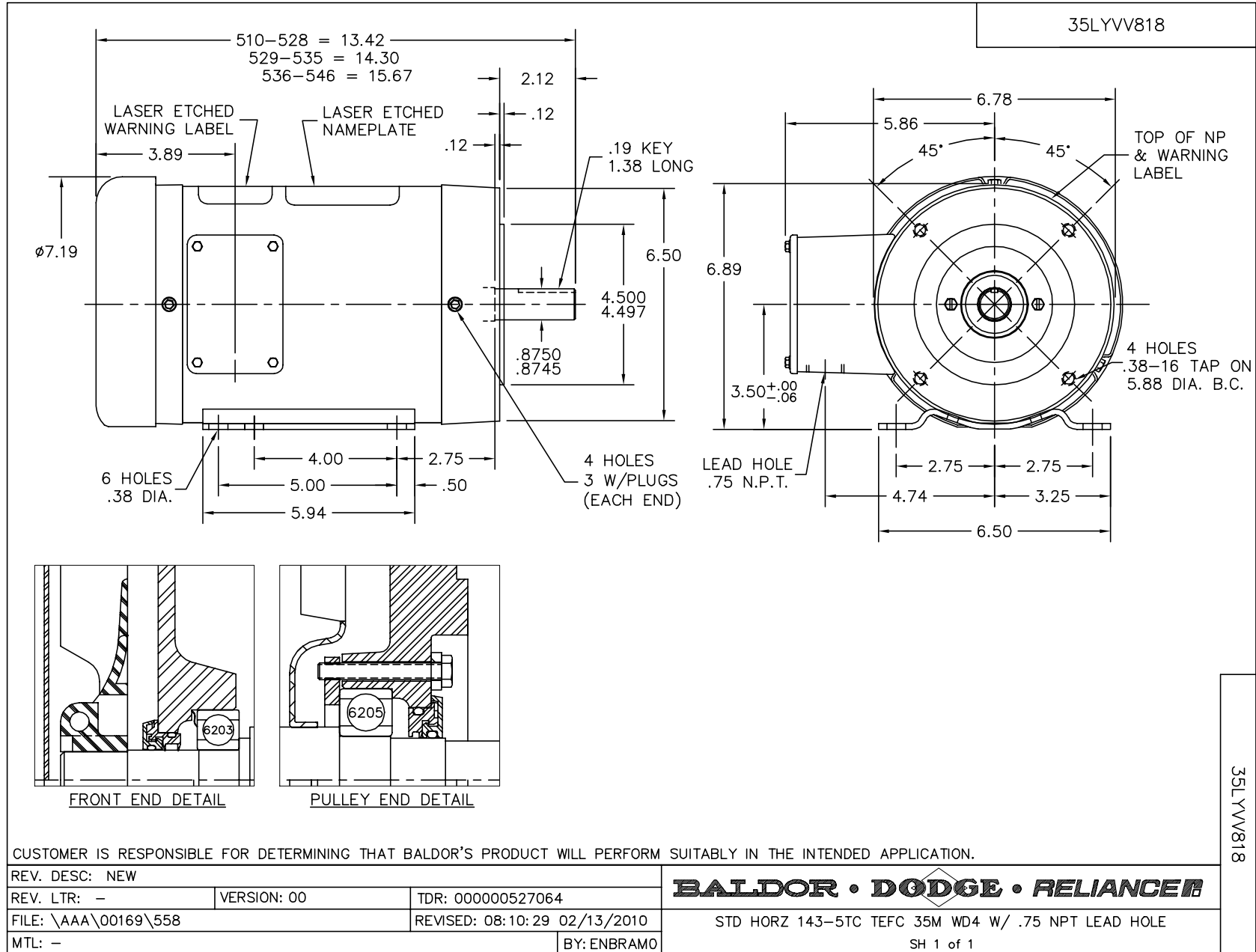
Full Load Torque:	4.46 LB-FT	Start Configuration:	DOL
No-Load Current:	1.02 Amps	Break-Down Torque:	18.7 LB-FT
Line-line Res. @ 25°C.:	15.2 Ohms A Ph / 0.0 Ohms B Ph	Pull-Up Torque:	12.3 LB-FT
Temp. Rise @ Rated Load:	54 C	Locked-Rotor Torque:	13.3 LB-FT
Temp. Rise @ S.F. Load:	65 C	Starting Current:	14.9 Amps

**Load Characteristics**

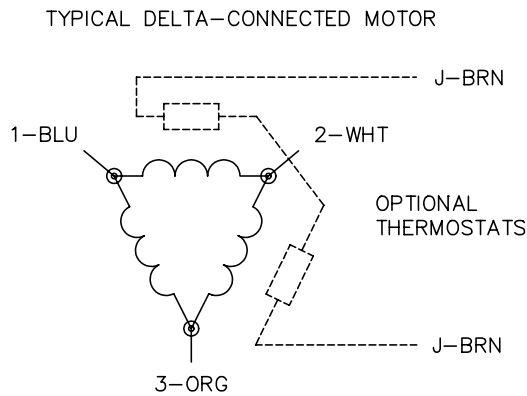
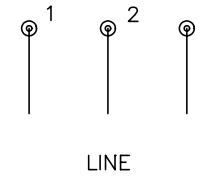
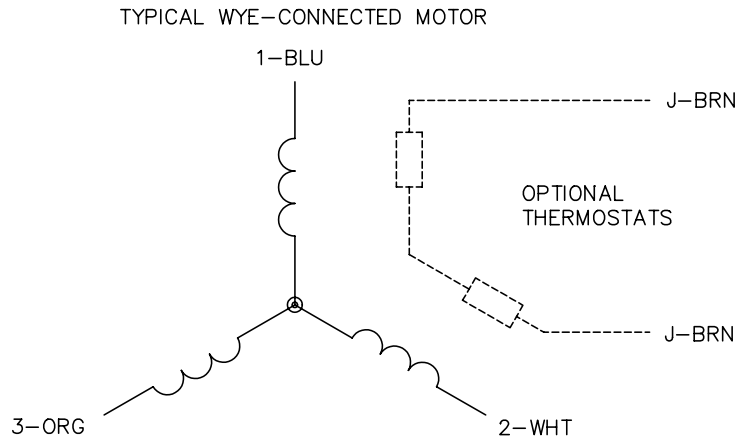
% of Rated Load	25	50	75	100	125	150	S.F.
Power Factor:	33.0	52.0	66.0	74.0	80.0	83.0	78.0
Efficiency:	77.6	85.9	87.6	87.7	87.3	86.0	87.5
Speed:	1791.0	1781.0	1770.0	1759.0	1746.0	1733.0	1751.0
Line Amperes:	1.08	1.23	1.44	1.72	2.01	2.35	1.89

Performance Graph at 575V, 60Hz, 1.5HP Typical performance - Not guaranteed values





CD0006



NOTES:

1. THREE LEAD MOTOR MAY BE EITHER WYE CONNECTED OR DELTA CONNECTED.
2. INTERCHANGE ANY TWO LINE LEADS TO REVERSE ROTATION.
3. OPTIONAL THERMOSTATS ARE PROVIDED WHEN SPECIFIED.
4. ACTUAL NUMBER OF INTERNAL PARALLEL CIRCUITS MAY VARY.
5. LEAD COLORS ARE OPTIONAL. LEADS MUST BE NUMBERED AS SHOWN.

REV. DESC: REVISE TO SHOW OPTIONAL COLORS			
REV. LTR: D	BY: JLP	REVISED: 01/21/99 4:02	TDR: 0171435
9000D		FILE: AAA00005141	MDL: -
		MTL: -	

**BALDOR ELECTRIC Co.**

3PH, SV, 3 LEADS, WYE OR DELTA CONNECTED

CD0006