

BALDOR® • RELIANCE

Product Information Packet

CESSWDM3610T

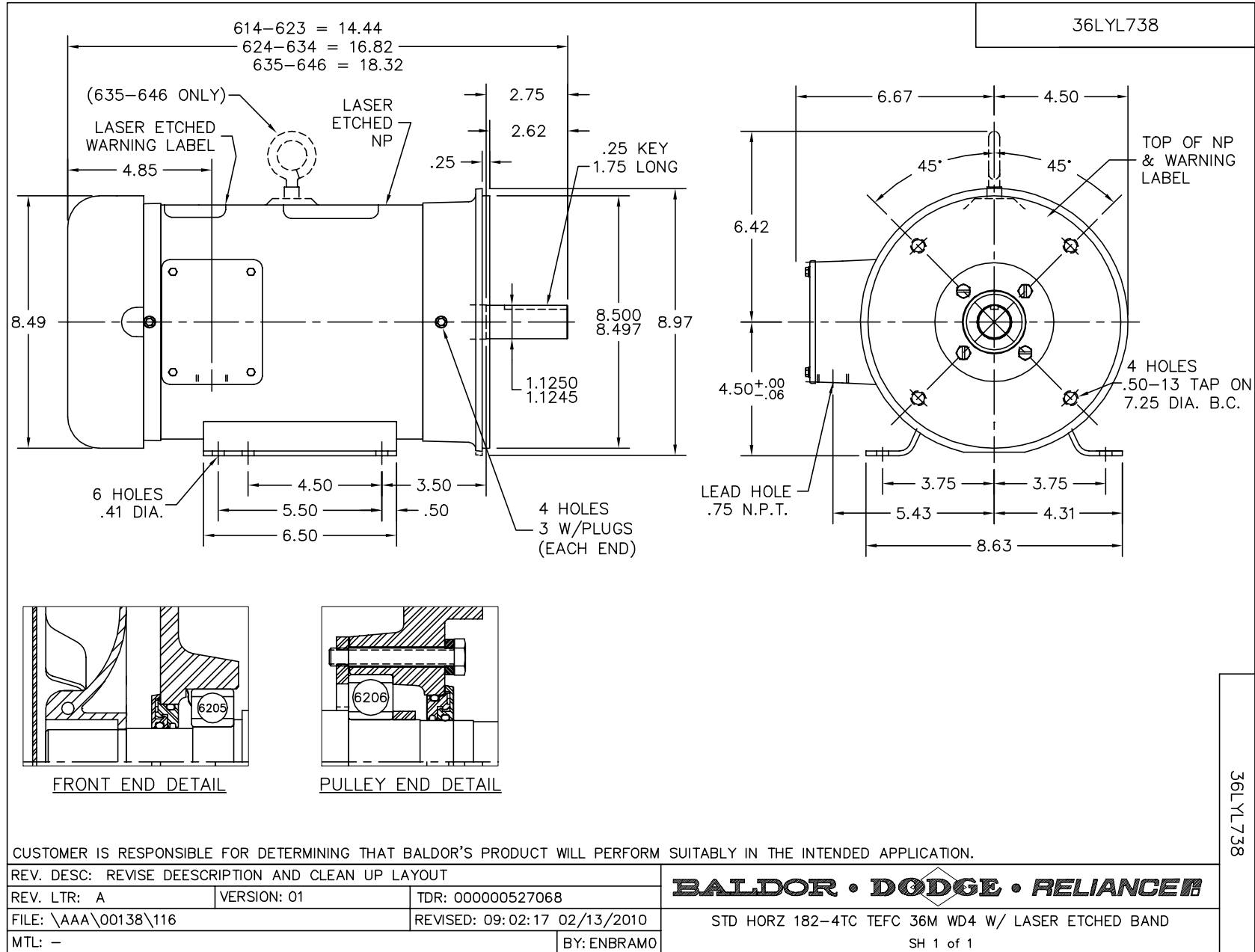
3HP,3500RPM,3PH,60HZ,182TC,3624M,TEFC,F1

Copyright © All product information within this document is subject to Baldor Electric Company copyright © protection, unless otherwise noted.

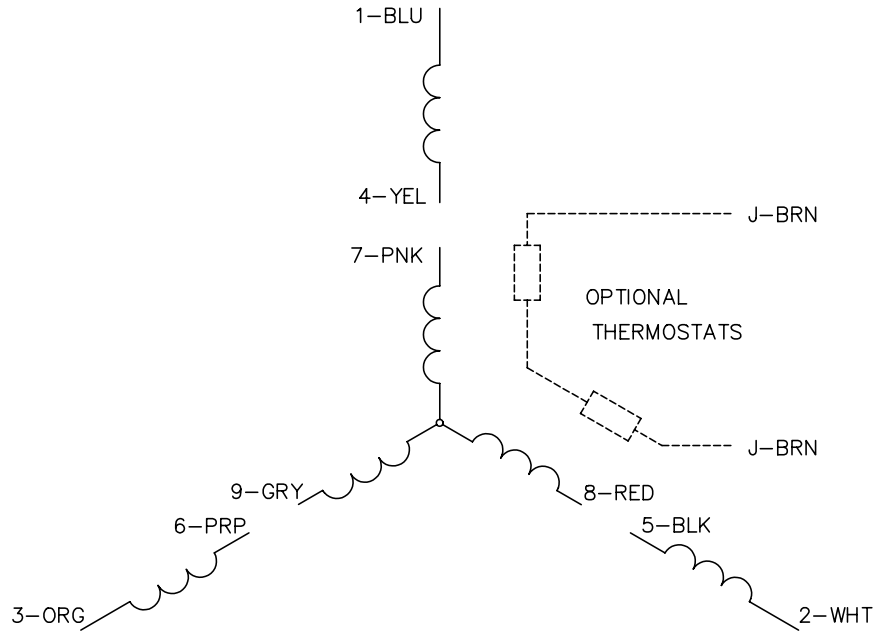
Part Detail							
Revision:	C	Status:	PRD/A	Change #:		Proprietary:	No
Type:	AC	Prod. Type:	3624M	Elec. Spec:	36WGT861	CD Diagram:	
Enclosure:	TEFC	Mfg Plant:		Mech. Spec:	36L738	Layout:	
Frame:	182TC	Mounting:	F1	Poles:	02	Created Date:	02-15-2010
Base:	RG	Rotation:	R	Insulation:	F	Eff. Date:	03-21-2012
Leads:	9#16	Literature:		Elec. Diagram:		Replaced By:	

Parts List		
Part Number	Description	Quantity
SA190872	SA 36L738T861G1	1.000 EA
RA178537	RA 36L738T861G1	1.000 EA
34FN3002B02	EXTERNAL FAN, PLASTIC, .905/.907 HUB W/	1.000 EA
36CB1003A01	CONDUIT BOX	1.000 EA
36GS1024	36 MOLDED GASKET W/LIP, 1.12 LEAD HOLE,	1.000 EA
10XN2520A08	1/4-20X1/2 HEX HEAD CAP	2.000 EA
11XW1032G06	10-32 X .38, TAPTITE II, HEX WSHR SLTD U	1.000 EA
HW3001B01	003SS CUP WASHER, FOR #8 SCREW	1.000 EA
36FE1907A01	FR EP ASSY W/EP FROM SOUTHERN TOOL STAIN	1.000 EA
HW4606A02	JM CLIPPER/SEAL (LWE-0938-1624-AL23)	1.000 EA
HW5100A05	WVY WSHR F/205 & 304 BRGS	1.000 EA
36EP1908A03	PUEP, FOR LOCKED 6206 BRG	1.000 EA
HW4500A33	1/8 NPT STAINLESS,HOLO-KROME #13002,PRES	3.000 EA
10XN2520S28	1/4-20X 1 3/4 HEX HD SS X	4.000 EA
HA1049A02	DUBO LOK WASHER SIZE 1/4 (NYLON LOCK SEA	4.000 EA
HA1049A02	DUBO LOK WASHER SIZE 1/4 (NYLON LOCK SEA	4.000 EA
36FH4011	WASHDOWN FAN COVER #304 STAINLESS W/NOTC	1.000 EA
10XN1032S06	HEX HD CAP SCREW, SS	3.000 EA
36CB4517	36 LIPPED CB LID #304 STAINLESS STEEL	1.000 EA
37GS3010SP	1/16"WHITE LID GASKET	1.000 EA
59XN0832S07	8/32 X 7/16 HX WS HD SER X	4.000 EA
HW4606A03	JM CLIPPER/SEAL (LWE-1156-1875-AL44)	1.000 EA
HW2502E16	#303 SS,SQ KEY 1/4 X 1.750	1.000 EA
HA7000A02	KEY RETAINER RING, 1 1/8 DIA, 1 3/8 DIA	1.000 EA

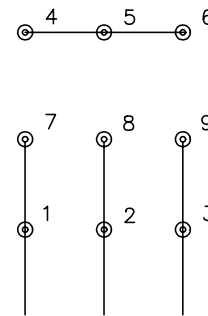
Parts List (continued)		
Part Number	Description	Quantity
MJ5001A02	732 CL SEALANT 3 OZ DIXIE BEARING 289100	0.001 EA
MJ1000A75	GREASE, POLYREX EM EXXON	0.050 LB
51XB1214A16	12-14X1.00 HXWSSLD SERTYB	1.000 EA
HA3101S42	THRUBOLT-1/4-20 X11.50 SSTDR#94334	4.000 EA
LB1357	ENERGY GUIDE LABEL (BOX LABEL)	1.000 SH
LB1125C02	SUPER-E (STOCK CTN LABEL SUPER-E WITH FL	1.000 EA
36PA1001	PACKAGING GROUP	1.000 EA



CD0005

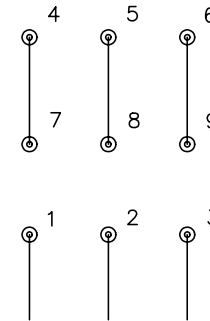


LOW VOLTAGE
(2Y)



LINE

HIGH VOLTAGE
(1Y)



LINE

NOTES:

1. INTERCHANGE ANY TWO LINE LEADS TO REVERSE ROTATION.
2. OPTIONAL THERMOSTATS ARE PROVIDED WHEN SPECIFIED.
3. ACTUAL NUMBER OF INTERNAL PARALLEL CIRCUITS MAY BE A MULTIPLE OF THOSE SHOWN ABOVE.
4. LEAD COLORS ARE OPTIONAL. LEADS MUST ALWAYS BE NUMBERED AS SHOWN.

REV. DESC: REVISE TO SHOW OPTIONAL COLORS			
REV. LTR: E	BY: JLP	REVISED: 01/19/99 10:15	TDR: 0171435
90000		FILE: AAA00005140	MDL: -
		MTL: -	

BALDOR ELECTRIC Co.

3PH, DV, 9 LEADS

CD0005