

BALDOR® • *RELIANCE*

Product Information Packet

CESSWDM3611T

3HP, 1760RPM, 3PH, 60HZ, 182TC, 3635M, TEFC, F1

Copyright © All product information within this document is subject to Baldor Electric Company copyright © protection, unless otherwise noted.

Part Detail							
Revision:	-	Status:	PRD/A	Change #:		Proprietary:	No
Type:	AC	Prod. Type:	3635M	Elec. Spec:	36WGS945	CD Diagram:	
Enclosure:	TEFC	Mfg Plant:		Mech. Spec:	36L738	Layout:	
Frame:	182TC	Mounting:	F1	Poles:	04	Created Date:	07-13-2012
Base:	RG	Rotation:	R	Insulation:	F	Eff. Date:	07-19-2012
Leads:	9#16	Literature:		Elec. Diagram:		Replaced By:	

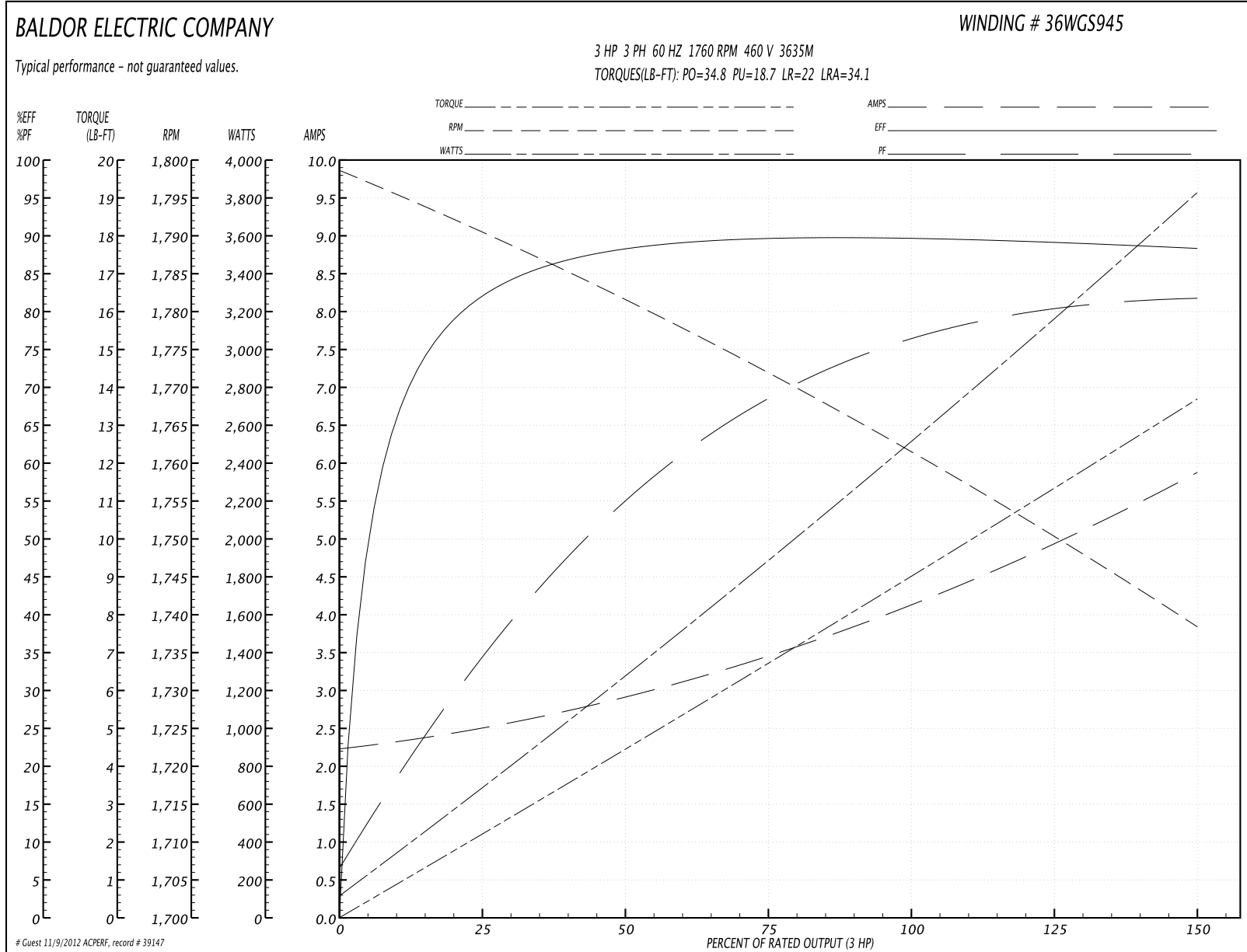
Parts List		
Part Number	Description	Quantity
SA247696	SA 36L738S945G1	1.000 EA
RA234564	RA 36L738S945G1	1.000 EA
36FN3000C01SP	EXFN, PLASTIC, 5.25 OD, .912 ID	1.000 EA
36CB1003A01	CONDUIT BOX	1.000 EA
36GS1024	36 MOLDED GASKET W/LIP, 1.12 LEAD HOLE,	1.000 EA
10XN2520A08	1/4-20X1/2 HEX HEAD CAP	2.000 EA
11XW1032G06	10-32 X .38, TAPTITE II, HEX WSHR SLTD U	1.000 EA
HW3001B01	003SS CUP WASHER, FOR #8 SCREW	1.000 EA
36FE1907A01	FR EP ASSY W/EP FROM SOUTHERN TOOL STAIN	1.000 EA
HW4606A02	JM CLIPPER/SEAL (LWE-0938-1624-AL23)	1.000 EA
HW5100A05	WVY WSHR F/205 & 304 BRGS	1.000 EA
36EP1908A03	PUEP, FOR LOCKED 6206 BRG	1.000 EA
HW4500A33	1/8 NPT STAINLESS,HOLO-KROME #13002,PRES	3.000 EA
10XN2520S28	1/4-20X 1 3/4 HEX HD SS X	4.000 EA
HA1049A02	DUBO LOK WASHER SIZE 1/4 (NYLON LOCK SEA	4.000 EA
HA1049A02	DUBO LOK WASHER SIZE 1/4 (NYLON LOCK SEA	4.000 EA
36FH4011	WASHDOWN FAN COVER #304 STAINLESS W/NOTC	1.000 EA
10XN1032S06	HEX HD CAP SCREW, SS	3.000 EA
36CB4517	36 LIPPED CB LID #304 STAINLESS STEEL	1.000 EA
37GS3010SP	1/16"WHITE LID GASKET	1.000 EA
59XN0832S07	8/32 X 7/16 HX WS HD SER X	4.000 EA
HW4606A03	JM CLIPPER/SEAL (LWE-1156-1875-AL44)	1.000 EA
HW2502E16	#303 SS,SQ KEY 1/4 X 1.750	1.000 EA
HA7000A02	KEY RETAINER RING, 1 1/8 DIA, 1 3/8 DIA	1.000 EA

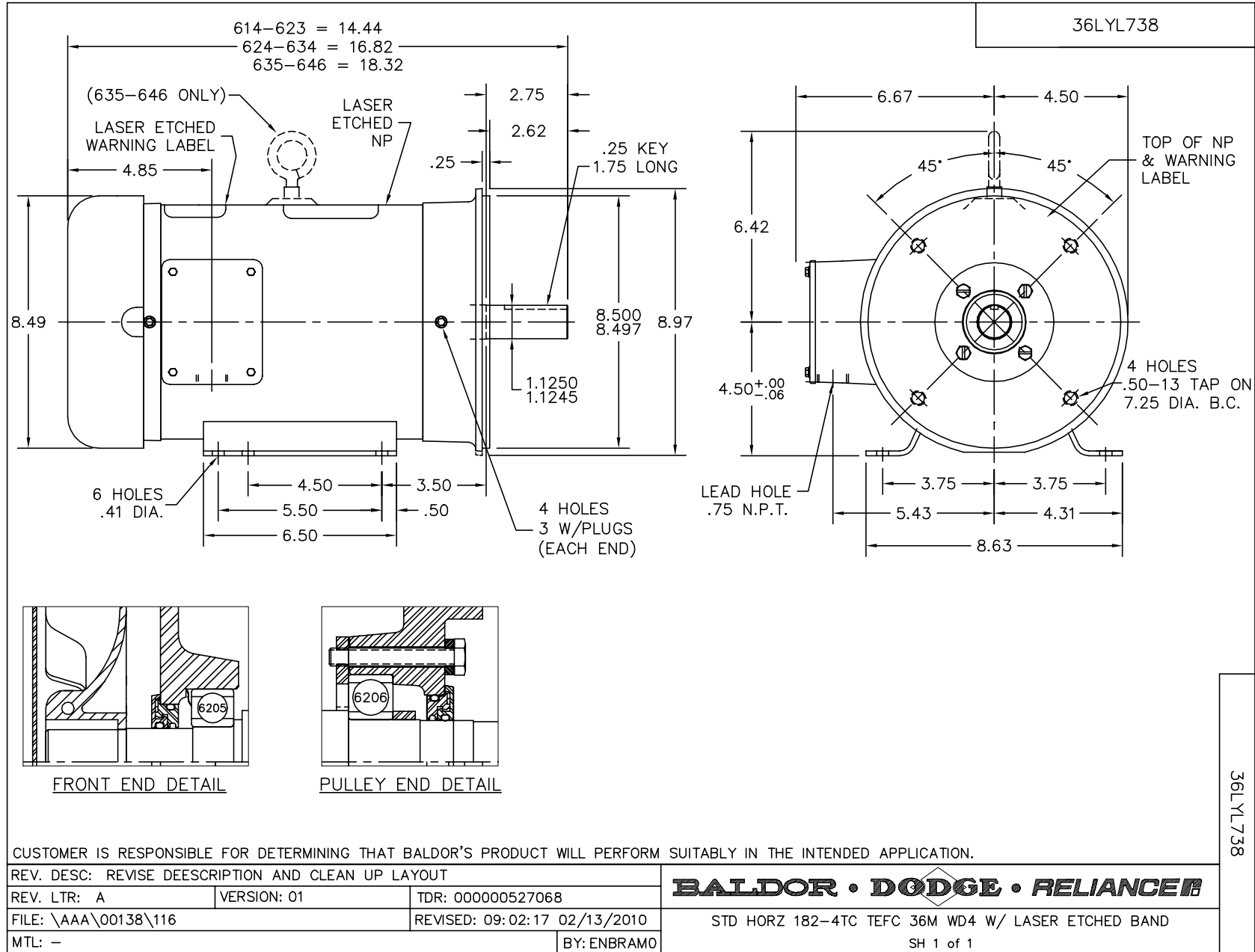
Parts List (continued)		
Part Number	Description	Quantity
MJ5001A02	732 CL SEALANT 3 OZ DIXIE BEARING 289100	0.001 EA
MJ1000A75	GREASE, POLYREX EM EXXON	0.050 LB
HW3200S01	EYEBOLT 3/8-16 X3/4 S.S. TDR #35988	1.000 EA
51XB1214A16	12-14X1.00 HXWSSLD SERTYB	1.000 EA
HA3101S29	THRUBOLT- 1/4-20X13.00 SS	4.000 EA
LB1357	ENERGY GUIDE LABEL (BOX LABEL)	1.000 SH
LB1125C02	SUPER-E (STOCK CTN LABEL SUPER-E WITH FL	1.000 EA
36PA1001	PACKAGING GROUP	1.000 EA

Performance Data at 460V, 60Hz, 3.0HP (Typical performance - Not guaranteed values)

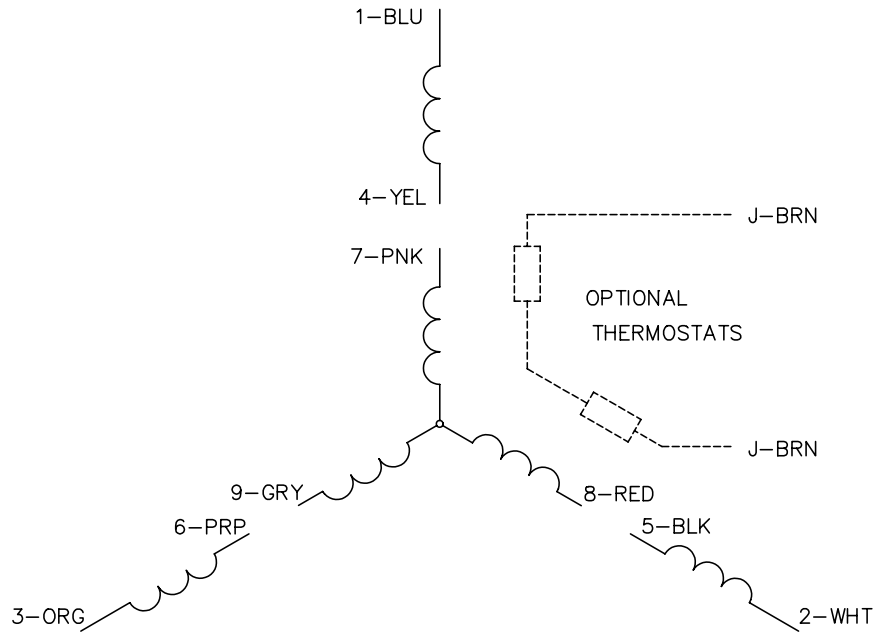
General Characteristics							
Full Load Torque:	9.04 LB-FT			Start Configuration:	DOL		
No-Load Current:	2.27 Amps			Break-Down Torque:	34.8 LB-FT		
Line-line Res. @ 25°C.:	3.4597 Ohms A Ph / 0.0 Ohms B Ph			Pull-Up Torque:	18.7 LB-FT		
Temp. Rise @ Rated Load:	62 C			Locked-Rotor Torque:	22.0 LB-FT		
Temp. Rise @ S.F. Load:	74 C			Starting Current:	34.1 Amps		
Load Characteristics							
% of Rated Load	25	50	75	100	125	150	S.F.
Power Factor:	35.0	56.0	69.0	76.0	80.0	82.0	78.0
Efficiency:	82.1	88.3	89.7	89.7	89.1	88.1	89.3
Speed:	1790.1	1781.1	1771.7	1761.7	1750.8	1738.1	1755.0
Line Amperes:	2.47	2.88	3.47	4.18	4.96	5.84	4.65

Performance Graph at 460V, 60Hz, 3.0HP Typical performance - Not guaranteed values





CD0005



LOW VOLTAGE
(2Y)



LINE

HIGH VOLTAGE
(1Y)



LINE

NOTES:

1. INTERCHANGE ANY TWO LINE LEADS TO REVERSE ROTATION.
2. OPTIONAL THERMOSTATS ARE PROVIDED WHEN SPECIFIED.
3. ACTUAL NUMBER OF INTERNAL PARALLEL CIRCUITS MAY BE A MULTIPLE OF THOSE SHOWN ABOVE.
4. LEAD COLORS ARE OPTIONAL. LEADS MUST ALWAYS BE NUMBERED AS SHOWN.

REV. DESC: REVISE TO SHOW OPTIONAL COLORS			
REV. LTR: E	BY: JLP	REVISED: 01/19/99 10:15	TDR: 0171435
9000D		FILE: AAA00005140	MDL: -
		MTL: -	

BALDOR ELECTRIC Co.

3PH, DV, 9 LEADS

CD0005