

BALDOR® • ***RELIANCE***

Product Information Packet

CESSWDM3615T

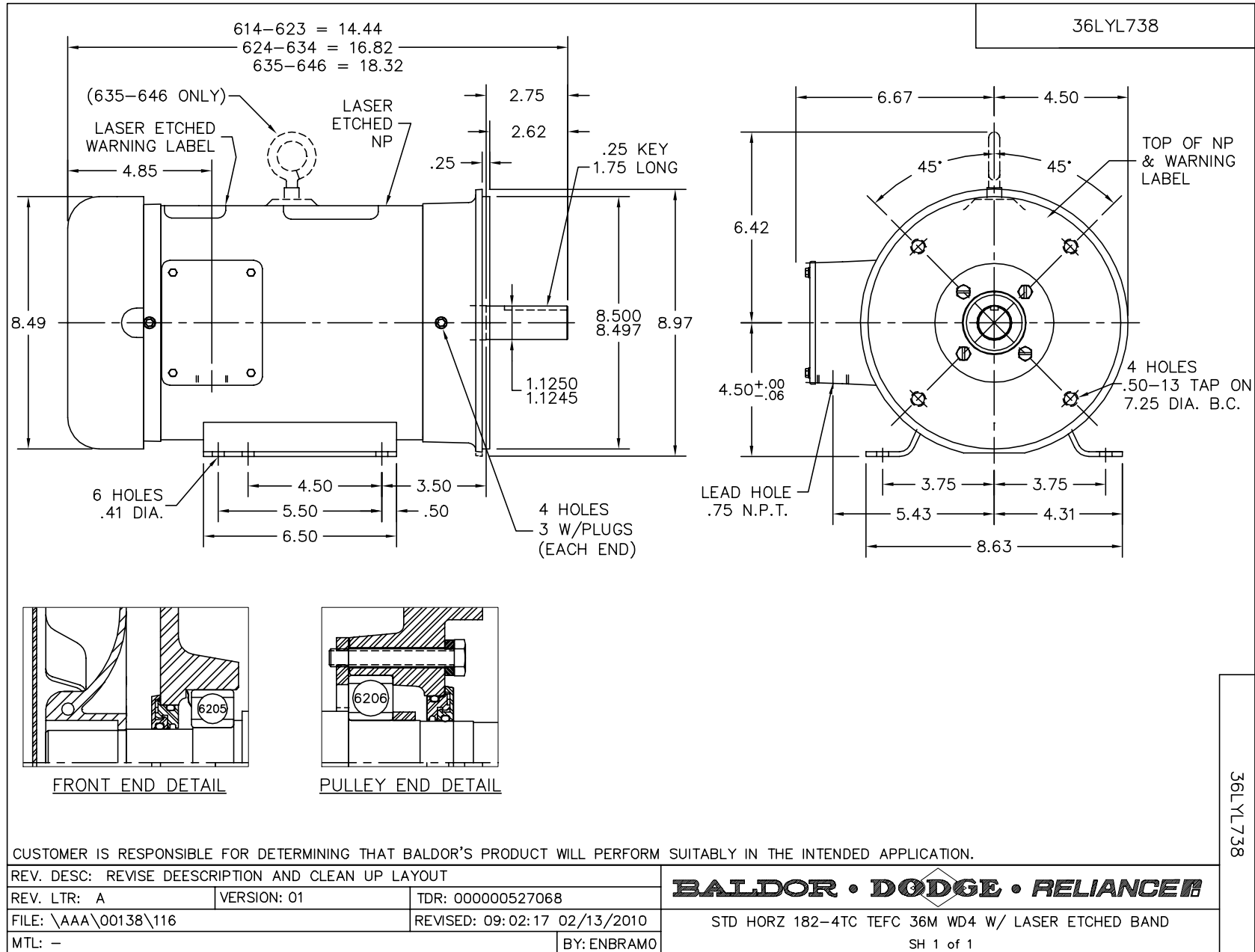
5HP, 1750RPM, 3PH, 60HZ, 184TC, 3646M, TEFC, F1

Copyright © All product information within this document is subject to Baldor Electric Company copyright © protection, unless otherwise noted.

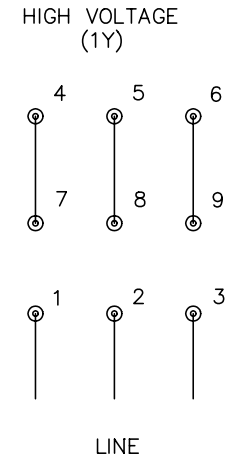
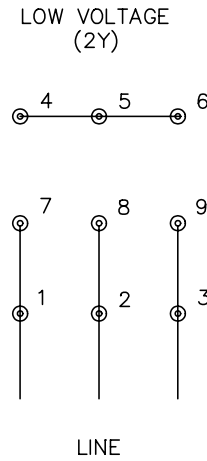
Part Detail							
Revision:	B	Status:	PRD/A	Change #:		Proprietary:	No
Type:	AC	Prod. Type:	3646M	Elec. Spec:	36WGS719	CD Diagram:	
Enclosure:	TEFC	Mfg Plant:		Mech. Spec:	36L738	Layout:	
Frame:	184TC	Mounting:	F1	Poles:	04	Created Date:	04-13-2011
Base:	RG	Rotation:	R	Insulation:	F	Eff. Date:	06-12-2012
Leads:	9#16	Literature:		Elec. Diagram:		Replaced By:	

Parts List		
Part Number	Description	Quantity
SA221365	SA 36L738S719G1	1.000 EA
RA208503	RA 36L738S719G1	1.000 EA
36FN3000A01SP	EXFN, PLASTIC, 7.00 OD, .912 ID	1.000 EA
36CB1003A01	CONDUIT BOX	1.000 EA
36GS1024	36 MOLDED GASKET W/LIP, 1.12 LEAD HOLE,	1.000 EA
10XN2520A08	1/4-20X1/2 HEX HEAD CAP	2.000 EA
11XW1032G06	10-32 X .38, TAPTITE II, HEX WSHR SLTD U	1.000 EA
HW3001B01	003SS CUP WASHER, FOR #8 SCREW	1.000 EA
36FE1907A01	FR EP ASSY W/EP FROM SOUTHERN TOOL STAIN	1.000 EA
HW4606A02	JM CLIPPER/SEAL (LWE-0938-1624-AL23)	1.000 EA
HW5100A05	WVY WSHR F/205 & 304 BRGS	1.000 EA
36EP1908A03	PUEP, FOR LOCKED 6206 BRG	1.000 EA
HW4500A33	1/8 NPT STAINLESS,HOLO-KROME #13002,PRES	3.000 EA
10XN2520S28	1/4-20X 1 3/4 HEX HD SS X	4.000 EA
HA1049A02	DUBO LOK WASHER SIZE 1/4 (NYLON LOCK SEA	4.000 EA
HA1049A02	DUBO LOK WASHER SIZE 1/4 (NYLON LOCK SEA	4.000 EA
36FH4011	WASHDOWN FAN COVER #304 STAINLESS W/NOTC	1.000 EA
10XN1032S06	HEX HD CAP SCREW, SS	3.000 EA
36CB4517	36 LIPPED CB LID #304 STAINLESS STEEL	1.000 EA
37GS3010SP	1/16"WHITE LID GASKET	1.000 EA
59XN0832S07	8/32 X 7/16 HX WS HD SER X	4.000 EA
HW4606A03	JM CLIPPER/SEAL (LWE-1156-1875-AL44)	1.000 EA
HW2502E16	#303 SS,SQ KEY 1/4 X 1.750	1.000 EA
HA7000A02	KEY RETAINER RING, 1 1/8 DIA, 1 3/8 DIA	1.000 EA

Parts List (continued)		
Part Number	Description	Quantity
MJ5001A02	732 CL SEALANT 3 OZ DIXIE BEARING 289100	0.001 EA
HW3200S01	EYEBOLT 3/8-16 X3/4 S.S. TDR #35988	1.000 EA
MJ1000A75	GREASE, POLYREX EM EXXON	0.050 LB
51XB1214A16	12-14X1.00 HXWSSLD SERTYB	1.000 EA
HA3101S29	THRUBOLT- 1/4-20X13.00 SS	4.000 EA
LB1172A01	CUSTOM MTR CARTON LABEL LASER PRINTER	1.000 EA
36PA1001	PACKAGING GROUP	1.000 EA
LB1357	ENERGY GUIDE LABEL (BOX LABEL)	1.000 SH



CD0005



NOTES:

1. INTERCHANGE ANY TWO LINE LEADS TO REVERSE ROTATION.
2. OPTIONAL THERMOSTATS ARE PROVIDED WHEN SPECIFIED.
3. ACTUAL NUMBER OF INTERNAL PARALLEL CIRCUITS MAY BE A MULTIPLE OF THOSE SHOWN ABOVE.
4. LEAD COLORS ARE OPTIONAL. LEADS MUST ALWAYS BE NUMBERED AS SHOWN.

REV. DESC: REVISE TO SHOW OPTIONAL COLORS			
REV. LTR: E	BY: JLP	REVISED: 01/19/99 10:15	TDR: 0171435
900000		FILE: AAA00005140	MDL: -
		MTL: -	

BALDOR ELECTRIC Co.

3PH, DV, 9 LEADS

CD0005