

# **BALDOR**® • *RELIANCE*

## **Product Information Packet**

# **CESWDM3559T**

**3HP,3475RPM,3PH,60HZ,145TC,3540M,TEFC,F1**

Copyright © All product information within this document is subject to Baldor Electric Company copyright © protection, unless otherwise noted.

Part Detail							
Revision:	E	Status:	PRD/A	Change #:		Proprietary:	No
Type:	AC	Prod. Type:	3540M	Elec. Spec:	35WGR903	CD Diagram:	
Enclosure:	TEFC	Mfg Plant:		Mech. Spec:	35SS628	Layout:	
Frame:	145TC	Mounting:	F1	Poles:	02	Created Date:	02-17-2010
Base:	RG	Rotation:	R	Insulation:	F	Eff. Date:	10-16-2012
Leads:	9#18	Literature:		Elec. Diagram:		Replaced By:	

Nameplate NP1669L									
CAT.NO.	CESWDM3559T								
SPEC.	35SS628R903G1								
HP	3								
VOLTS	208-230/460								
AMP	7.8-7.2/3.6								
RPM	3475								
FRAME	145TC	HZ	60	PH	3				
SER.F.	1.15	CODE	M	DES	A	CLASS	F		
NEMA-NOM-EFF	86.5	PF	91						
RATING	40C AMB-CONT								
CC	010A	USABLE AT 208V							
DE	6205	ODE	6203						
ENCL	TEFC	SN							
BLANK									

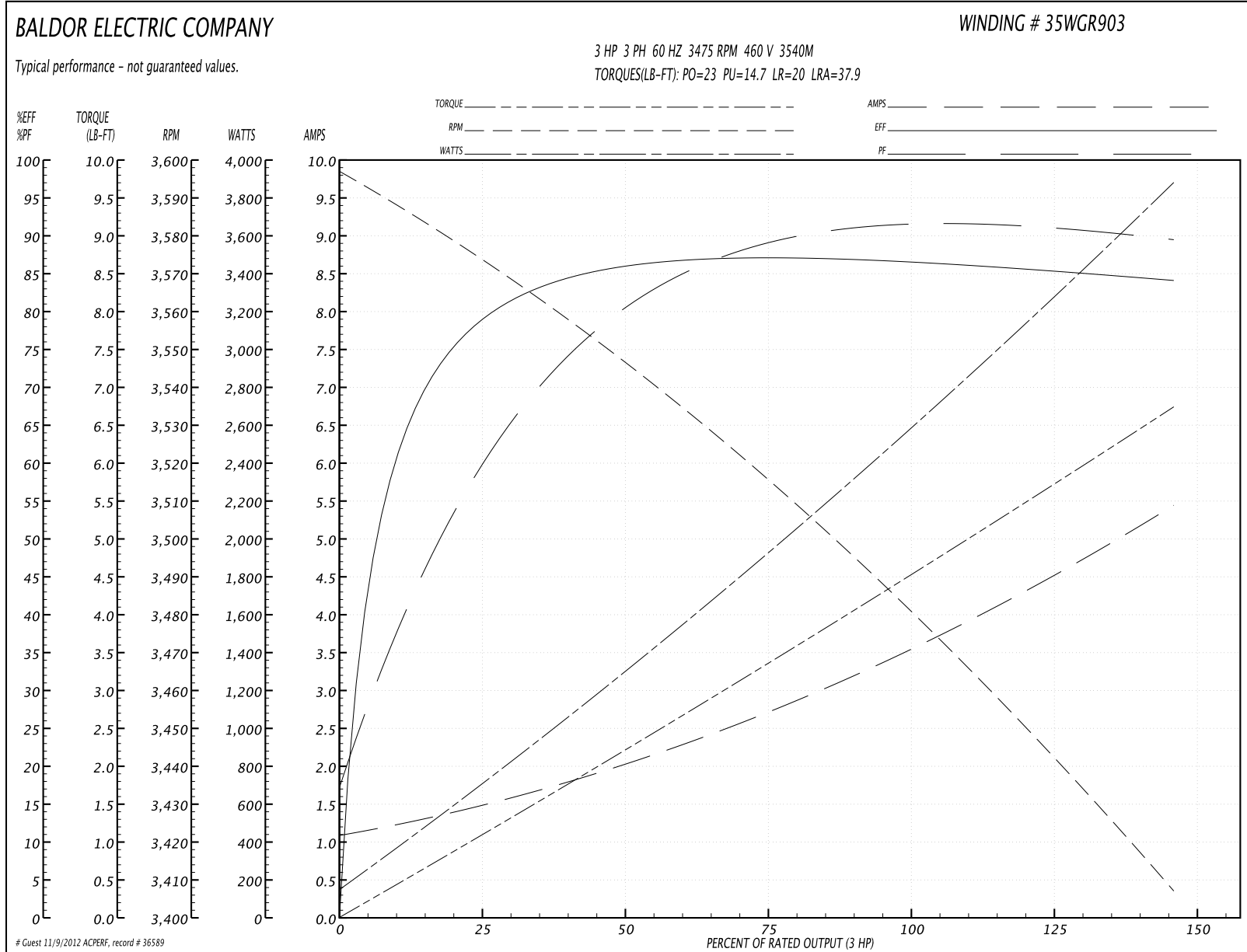
Parts List		
Part Number	Description	Quantity
SA191065	SA 35SS628R903G1	1.000 EA
RA178729	RA 35SS628R903G1	1.000 EA
34FN3002A01SP	EXTERNAL FAN, PLASTIC, .637/.639 HUB W/	1.000 EA
S/P107-000-001	SUPER E PROC'S-FS & WS PLTS-POLYREX EM G	1.000 EA
35CB5001A21	CONDUIT BOX KIT, FOR SUPER II WASHDOWN	1.000 EA
NS2512A01	INSULATOR, CONDUIT BOX X	1.000 EA
11XW1032G06	10-32 X .38, TAPTITE II, HEX WSHR SLTD U	1.000 EA
35EP3100M08MU	FREP TEFC 203 BRG NO GRSSR, BALL BURNISH	1.000 EA
HW4500A33	1/8 NPT STAINLESS,HOLO-KROME #13002,PRES	3.000 EA
HW5100A03SP	WAVY WASHER (W1543-017)	1.000 EA
35EP3300A75MU	PU E.P., CAST-FACE MTD-56C-205 BRG(BALL	1.000 EA
HW4500A33	1/8 NPT STAINLESS,HOLO-KROME #13002,PRES	3.000 EA
HW4606A02	JM CLIPPER/SEAL (LWE-0938-1624-AL23)	1.000 EA
12XN1032S20	10-32 X 1-1/4 HEX M.S. , STAINLESS STEEL	2.000 EA
HA1049A01	DUBO LOK WASHER SIZE 10 (NYLON LOCK SEAL	2.000 EA
HA1049A01	DUBO LOK WASHER SIZE 10 (NYLON LOCK SEAL	4.000 EA
51XB1214A16	12-14X1.00 HXWSSLD SERTYB	1.000 EA
35FH4005A53	IEC FH NO GREASER (CLEAN ONLY)	1.000 EA
11XW1032S06	10-32 X .38, TAPTITE II, HEX WSHR SLTD U	3.000 EA
HA1005A05SP	SLINGER, OD 1.50, ID .659, 203 BRG	1.000 EA
HW2502D13	SS KEY, 3/16 SQ X 1.375	1.000 EA
HA7000A01	KEY RETAINER 7/8" DIA SHAFT	1.000 EA
MJ5001A02	732 CL SEALANT 3 OZ DIXIE BEARING 289100	0.001 EA
85XU0407S04	4X1/4 U DRIVE PIN STAINLESS	2.000 EA

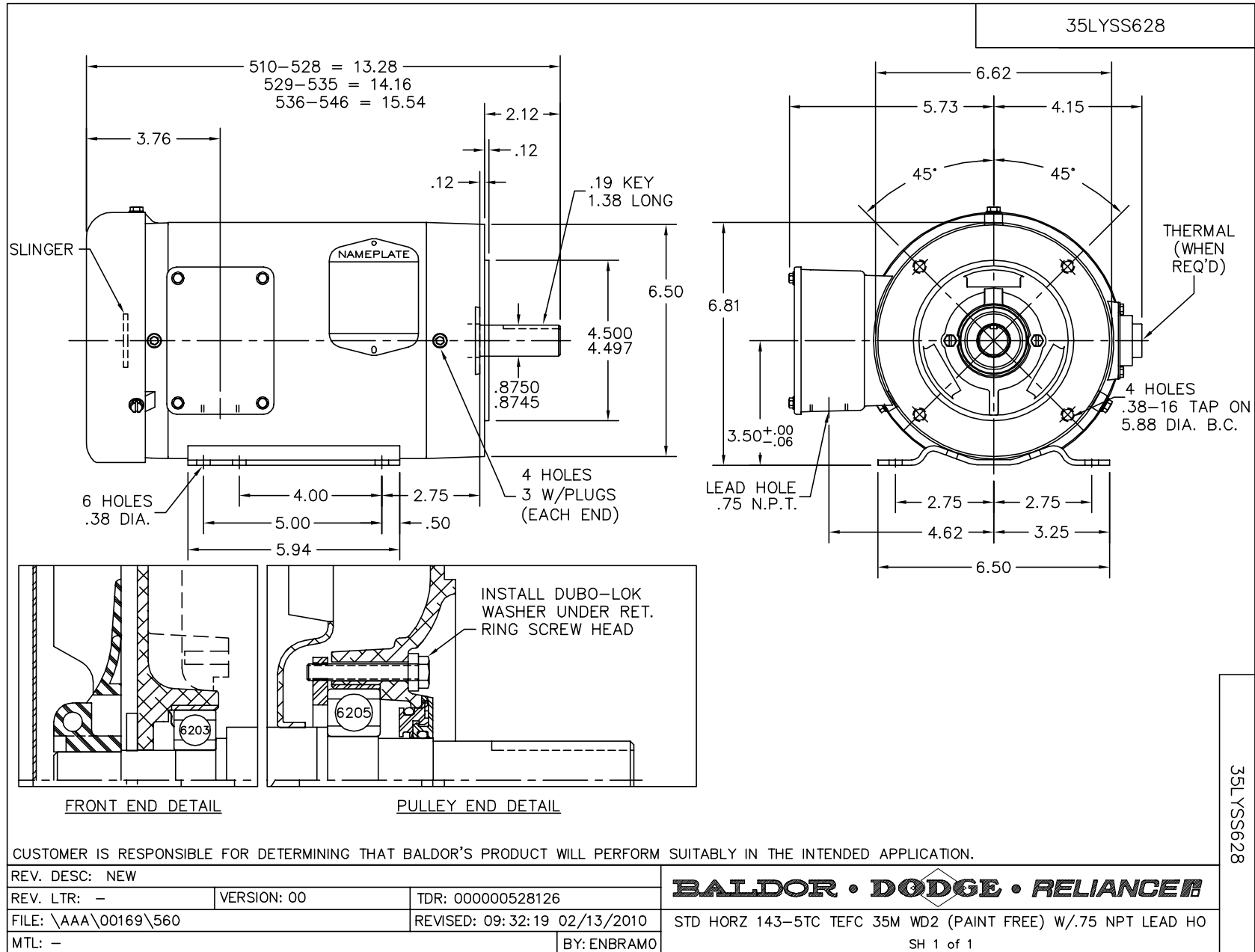
Parts List (continued)		
Part Number	Description	Quantity
LB1164	LABEL,WARNING AND DRAIN	1.000 EA
HA5027A04	HA4054 T-DRAIN X2 BAGGED	1.000 EA
MJ1000A75	GREASE, POLYREX EM EXXON	0.050 LB
HA3100S26	THRUBOLT 10X32 X 10.875	4.000 EA
LB1125C02	SUPER-E (STOCK CTN LABEL SUPER-E WITH FL	1.000 EA
LC0005	CONN.DIA.,TY M,9-LD,DUAL VOLT,REVERSING	1.000 EA
LB1357	ENERGY GUIDE LABEL (BOX LABEL)	1.000 SH
NP1669L	SS WD SUPER-E UL CSA-EEV PREM REV MTG	1.000 EA
36PA1000	PACK GROUP W/LB5001	1.000 EA

**Performance Data at 460V, 60Hz, 3.0HP (Typical performance - Not guaranteed values)**

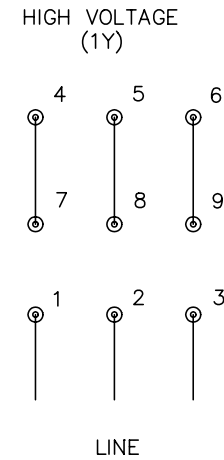
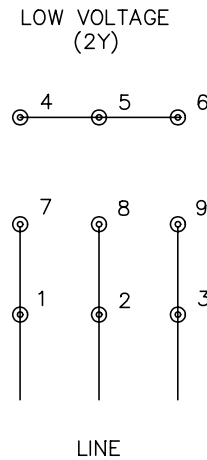
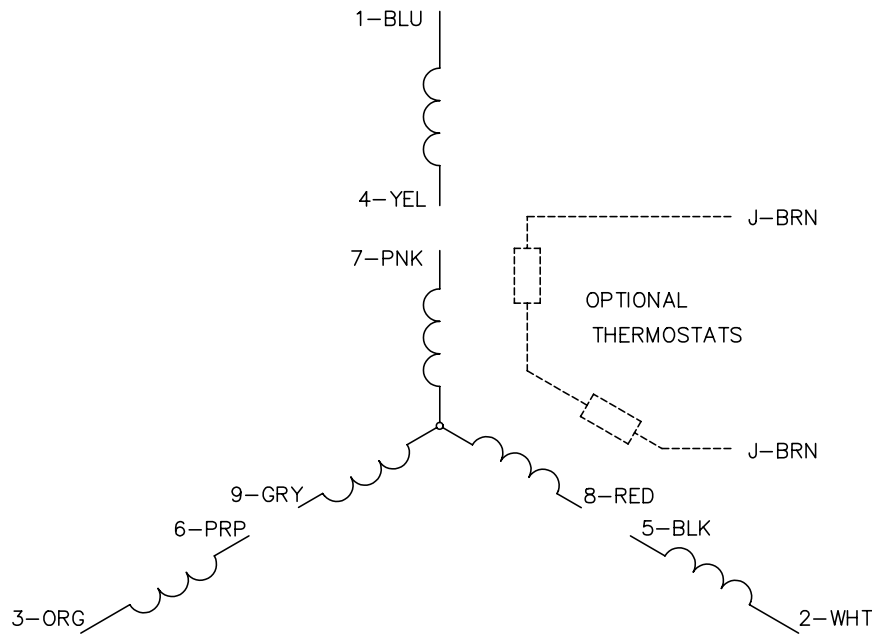
General Characteristics							
Full Load Torque:	4.5 LB-FT			Start Configuration:	DOL		
No-Load Current:	1.11 Amps			Break-Down Torque:	23.0 LB-FT		
Line-line Res. @ 25°C.:	4.05 Ohms A Ph / 0.0 Ohms B Ph			Pull-Up Torque:	14.7 LB-FT		
Temp. Rise @ Rated Load:	46 C			Locked-Rotor Torque:	20.0 LB-FT		
Temp. Rise @ S.F. Load:	55 C			Starting Current:	37.9 Amps		
Load Characteristics							
% of Rated Load	25	50	75	100	125	150	S.F.
Power Factor:	63.0	81.0	89.0	91.0	91.0	90.0	91.0
Efficiency:	78.7	85.6	87.0	86.9	85.7	83.9	86.2
Speed:	3571.0	3544.0	3515.0	3484.0	3447.0	3405.0	3462.0
Line Amperes:	1.45	2.05	2.75	3.54	4.42	5.45	4.07

Performance Graph at 460V, 60Hz, 3.0HP Typical performance - Not guaranteed values





CD0005



NOTES:

1. INTERCHANGE ANY TWO LINE LEADS TO REVERSE ROTATION.
2. OPTIONAL THERMOSTATS ARE PROVIDED WHEN SPECIFIED.
3. ACTUAL NUMBER OF INTERNAL PARALLEL CIRCUITS MAY BE A MULTIPLE OF THOSE SHOWN ABOVE.
4. LEAD COLORS ARE OPTIONAL. LEADS MUST ALWAYS BE NUMBERED AS SHOWN.

REV. DESC: REVISE TO SHOW OPTIONAL COLORS			
REV. LTR: E	BY: JLP	REVISED: 01/19/99 10:15	TDR: 0171435
90000		FILE: AAA00005140	MDL: -
		MTL: -	

**BALDOR ELECTRIC Co.**

3PH, DV, 9 LEADS

CD0005