

BALDOR® • RELIANCE

Product Information Packet

CESWDM3611T

3HP, 1760RPM, 3PH, 60HZ, 182TC, 3632M, TEFC, F1

Copyright © All product information within this document is subject to Baldor Electric Company copyright © protection, unless otherwise noted.

Part Detail							
Revision:	L	Status:	PRD/A	Change #:		Proprietary:	No
Type:	AC	Prod. Type:	3632M	Elec. Spec:	36WGY883	CD Diagram:	
Enclosure:	TEFC	Mfg Plant:		Mech. Spec:	36K196	Layout:	
Frame:	182TC	Mounting:	F1	Poles:	04	Created Date:	
Base:	RG	Rotation:	R	Insulation:	F	Eff. Date:	03-19-2012
Leads:	9#16	Literature:		Elec. Diagram:		Replaced By:	

Nameplate NP1669L									
CAT.NO.	CESWDM3611T								
SPEC.	36K196Y883G1								
HP	3								
VOLTS	208-230/460								
AMP	8.1-8/4								
RPM	1760								
FRAME	182TC	HZ	60	PH	3				
SER.F.	1.15	CODE	K	DES	B	CLASS	F		
NEMA-NOM-EFF	89.5	PF	78						
RATING	40C AMB-CONT								
CC	010A	USABLE AT 208V	8.1						
DE	6206	ODE	6205						
ENCL	TEFC	SN							
BLANK									

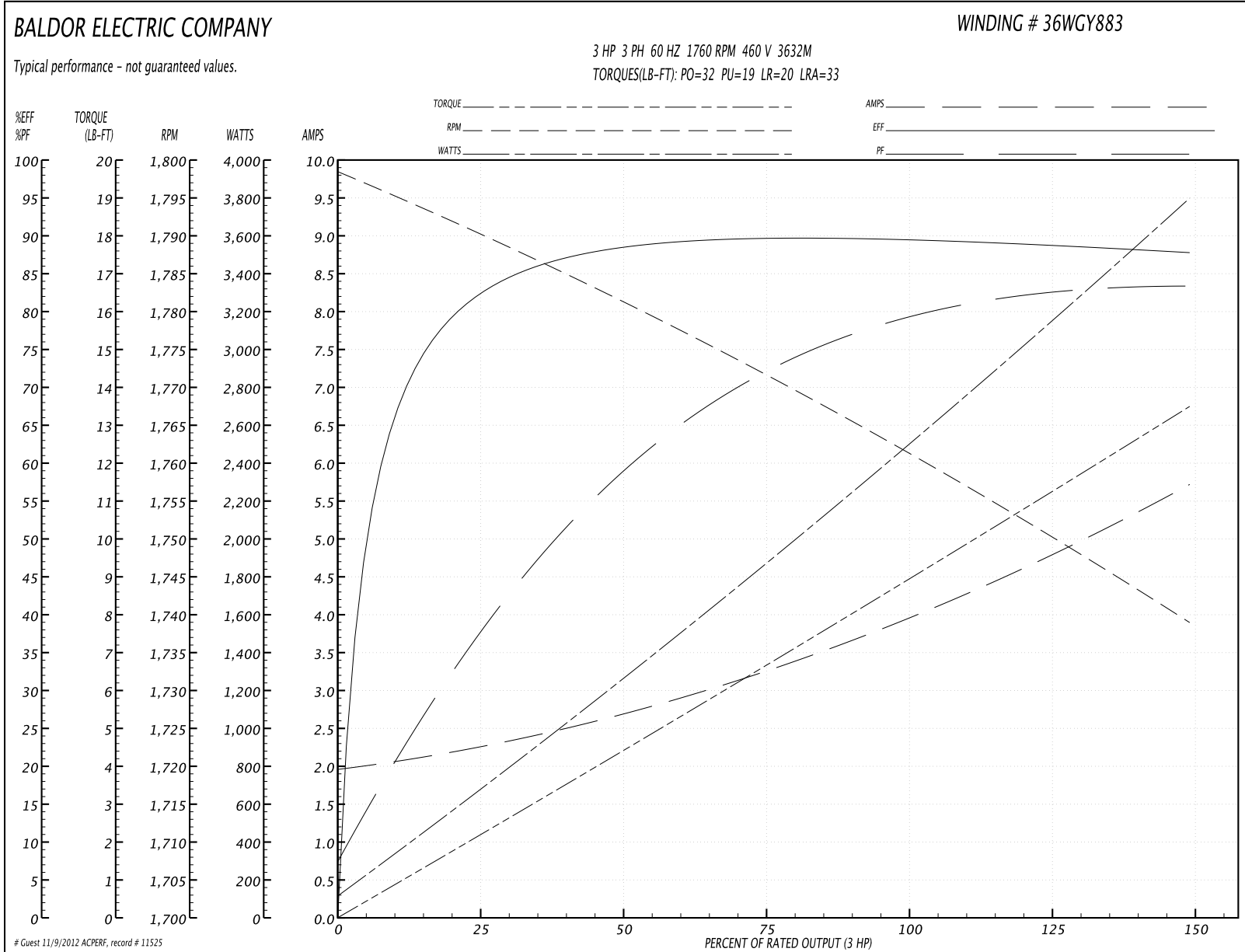
Parts List		
Part Number	Description	Quantity
SA084984	SA 36K196Y883G1	1.000 EA
RA078134	RA 36K196Y883G1	1.000 EA
36CB3005A03MU	36 CB .75 NPT @ 6, BALL BURNISHED	1.000 EA
35GS1022A03SP	GASKET BOX .125 THK WHITE NEOPRENE	1.000 EA
51XB1016A08	10-16X 1/2HXWSSLD SERTYB	2.000 EA
11XW1032G06	10-32 X .38, TAPTITE II, HEX WSHR SLTD U	1.000 EA
36EP3101B27MU	FR EP,205 BRG-ENCL, (FOR S.P. #9D)	1.000 EA
HW4500A33	1/8 NPT STAINLESS,HOLO-KROME #13002,PRES	3.000 EA
HW5100A05	WVY WSHR F/205 & 304 BRGS	1.000 EA
36EP3301A32MU	PU EP,182-4TC 206 BRG OIL SEAL NO GSR-BA	1.000 EA
HW4500A33	1/8 NPT STAINLESS,HOLO-KROME #13002,PRES	3.000 EA
HW4606A03	JM CLIPPER/SEAL (LWE-1156-1875-AL44)	1.000 EA
10XN2520S28	1/4-20X 1 3/4 HEX HD SS X	4.000 EA
HA1049A02	DUBO LOK WASHER SIZE 1/4 (NYLON LOCK SEA	4.000 EA
HA1049A02	DUBO LOK WASHER SIZE 1/4 (NYLON LOCK SEA	4.000 EA
51XB1214A16	12-14X1.00 HXWSSLD SERTYB	1.000 EA
36FH4011	WASHDOWN FAN COVER #304 STAINLESS W/NOTC	1.000 EA
11XW1032S06	10-32 X .38, TAPTITE II, HEX WSHR SLTD U	3.000 EA
36CB4517	36 LIPPED CB LID #304 STAINLESS STEEL	1.000 EA
37GS3010SP	1/16"WHITE LID GASKET	1.000 EA
59XW0832S07	TAPTITE II,HEX WSHR UNSLTD SER,410 S.S.,	4.000 EA
HW1003S08	WASHER, #8 EX TH LK, SS	4.000 EA
HA1005A03SP	SLINGER, OD 1.750, ID .938, 205 BRG	1.000 EA
HW2502E16	#303 SS,SQ KEY 1/4 X 1.750	1.000 EA

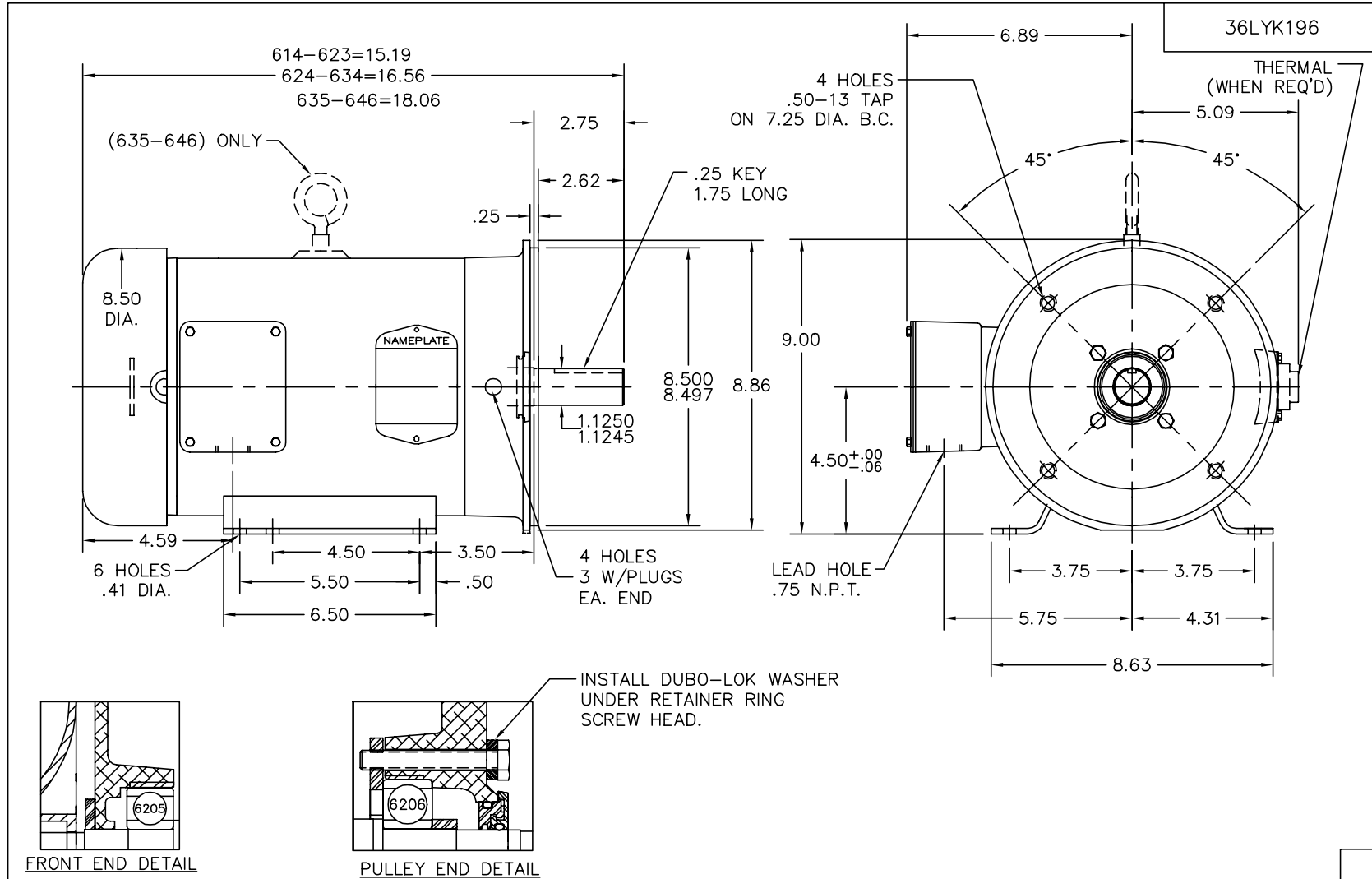
Parts List (continued)		
Part Number	Description	Quantity
HA7000A02	KEY RETAINER RING, 1 1/8 DIA, 1 3/8 DIA	1.000 EA
MJ5001A02	732 CL SEALANT 3 OZ DIXIE BEARING 289100	0.001 EA
85XU0407S04	4X1/4 U DRIVE PIN STAINLESS	2.000 EA
LB1164	LABEL,WARNING AND DRAIN	1.000 EA
MJ1000A75	GREASE, POLYREX EM EXXON	0.050 LB
36FN3000A01SP	EXFN, PLASTIC, 7.00 OD, .912 ID	1.000 EA
S/P107-000-001	SUPER E PROC'S-FS & WS PLTS-POLYREX EM G	1.000 EA
HA3101S45	THRUBOLT 1/4-20 X 11.125 SS TDR #23687	4.000 EA
LB1125C02	SUPER-E (STOCK CTN LABEL SUPER-E WITH FL	1.000 EA
LC0005	CONN.DIA.,TY M,9-LD,DUAL VOLT,REVERSING	1.000 EA
NP1669L	SS WD SUPER-E UL CSA-EEV PREM REV MTG	1.000 EA
36PA1001	PACKAGING GROUP	1.000 EA
LB1357	ENERGY GUIDE LABEL (BOX LABEL)	1.000 SH

Performance Data at 460V, 60Hz, 3.0HP (Typical performance - Not guaranteed values)

General Characteristics							
Full Load Torque:	9.0 LB-FT			Start Configuration:	DOL		
No-Load Current:	2.0 Amps			Break-Down Torque:	32.0 LB-FT		
Line-line Res. @ 25°C.:	3.88 Ohms A Ph / 0.0 Ohms B Ph			Pull-Up Torque:	19.0 LB-FT		
Temp. Rise @ Rated Load:	54 C			Locked-Rotor Torque:	20.0 LB-FT		
Temp. Rise @ S.F. Load:	65 C			Starting Current:	33.0 Amps		
Load Characteristics							
% of Rated Load	25	50	75	100	125	150	S.F.
Power Factor:	39.0	61.0	72.0	79.0	82.0	84.0	0.0
Efficiency:	82.2	88.4	89.7	89.6	88.8	87.7	0.0
Speed:	1789.0	1781.0	1772.0	1761.0	1750.0	1739.0	0.0
Line Amperes:	2.2	2.7	3.3	4.0	4.8	5.7	4.5

Performance Graph at 460V, 60Hz, 3.0HP Typical performance - Not guaranteed values





CUSTOMER IS RESPONSIBLE FOR DETERMINING THAT MOTOR PERFORMANCE IS SUITABLE IN THE APPLICATION.

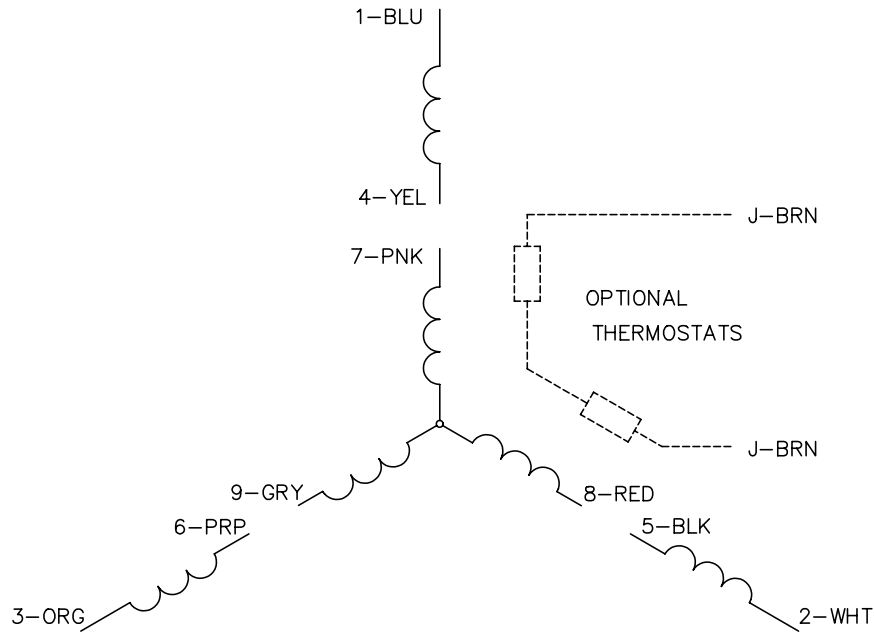
REV. DESC: ADDED DRAIN PLUGS			
REV. LTR: A	VERSION: 01	TDR: 000000374458	
961K196	FILE: \AAA\00093\088	REVISED: 09:55:53 08/26/2005	
	MTL: -	BY: ENKENTO	

BALDOR ELECTRIC Co.

STD HORZ 182-4TC TEFC 36M WD2 (PAINT FREE)

36LYK196

CD0005

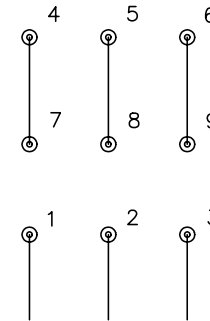


LOW VOLTAGE
(2Y)



LINE

HIGH VOLTAGE
(1Y)



LINE

NOTES:

1. INTERCHANGE ANY TWO LINE LEADS TO REVERSE ROTATION.
2. OPTIONAL THERMOSTATS ARE PROVIDED WHEN SPECIFIED.
3. ACTUAL NUMBER OF INTERNAL PARALLEL CIRCUITS MAY BE A MULTIPLE OF THOSE SHOWN ABOVE.
4. LEAD COLORS ARE OPTIONAL. LEADS MUST ALWAYS BE NUMBERED AS SHOWN.

REV. DESC: REVISE TO SHOW OPTIONAL COLORS			
REV. LTR: E	BY: JLP	REVISED: 01/19/99 10:15	TDR: 0171435
90000		FILE: AAA00005140	MDL: -
		MTL: -	

BALDOR ELECTRIC Co.

3PH, DV, 9 LEADS

CD0005