

BALDOR® • RELIANCE

Product Information Packet

CEWDM3546-5

1HP,1745RPM,3PH,60HZ,56C,3524M,TENV,F1,N

Copyright © All product information within this document is subject to Baldor Electric Company copyright © protection, unless otherwise noted.

Part Detail							
Revision:	B	Status:	PRD/A	Change #:		Proprietary:	No
Type:	AC	Prod. Type:	3524M	Elec. Spec:	35WGM813	CD Diagram:	
Enclosure:	TENV	Mfg Plant:		Mech. Spec:	35S588	Layout:	
Frame:	56C	Mounting:	F1	Poles:	04	Created Date:	08-05-2010
Base:	RG	Rotation:	R	Insulation:	F	Eff. Date:	10-03-2012
Leads:	3#18	Literature:		Elec. Diagram:		Replaced By:	

Nameplate NP1669L									
CAT.NO.	CEWDM3546-5								
SPEC.	35S588M813G1								
HP	1								
VOLTS	575								
AMP	1.2								
RPM	1745								
FRAME	56C	HZ	60	PH	3				
SER.F.	1.15	CODE	M	DES	B	CLASS	F		
NEMA-NOM-EFF	85.5	PF	76						
RATING	40C AMB-CONT								
CC	USABLE AT 208V								
DE	6205	ODE	6203						
ENCL	TENV	SN							
BLANK									

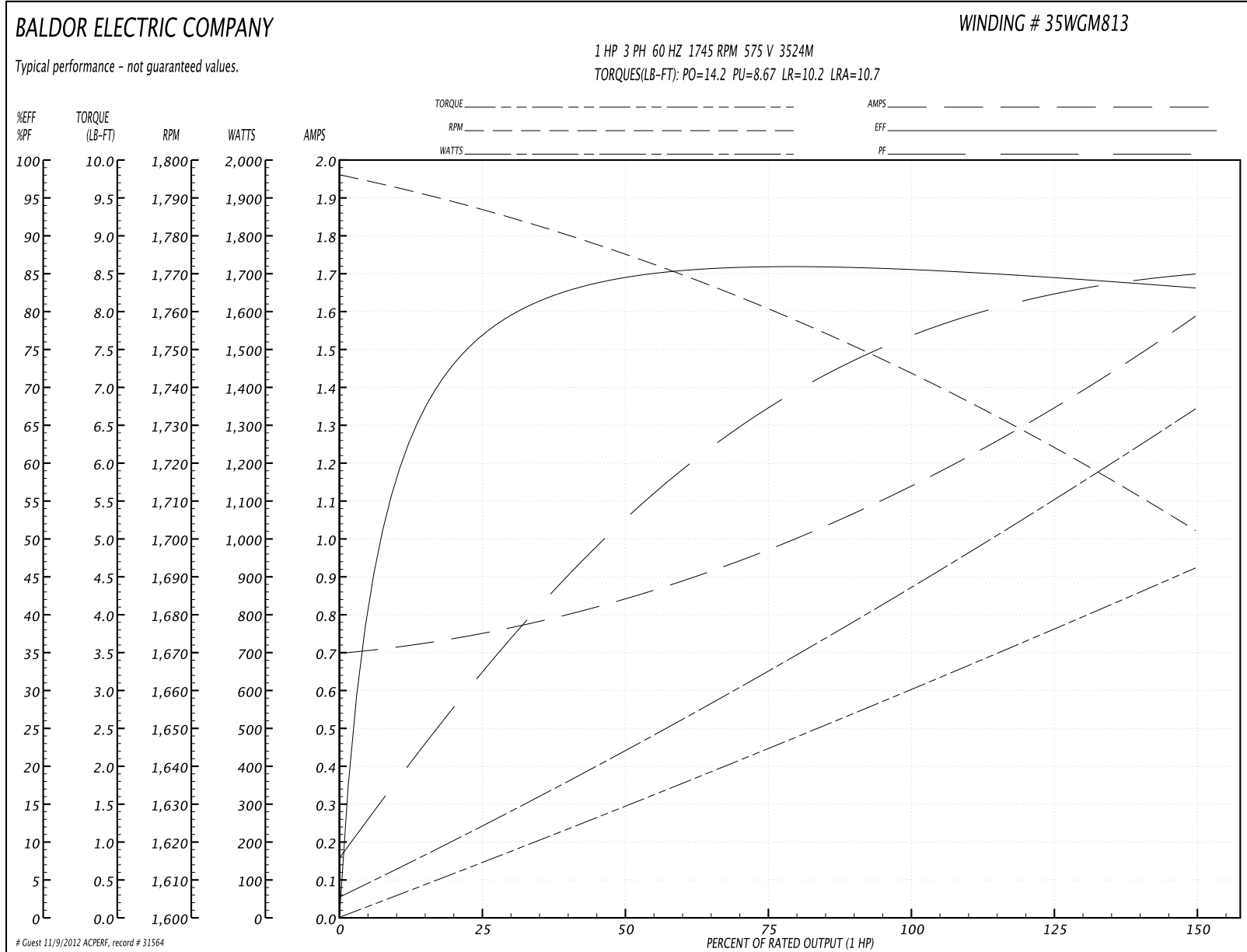
Parts List		
Part Number	Description	Quantity
SA201093	SA 35S588M813G1	1.000 EA
RA188398	RA 35S588M813G1	1.000 EA
S/P107-000-001	SUPER E PROC'S-FS & WS PLTS-POLYREX EM G	1.000 EA
NS2512A01	INSULATOR, CONDUIT BOX X	1.000 EA
35CB3008A01W	35 CB .50 NPT @ 6, MACH WHITE EPOXY	1.000 EA
35GS1039	05 MOLDED GASKET W/LIP, 1.12 LEAD HOLE,	1.000 EA
51XB1016A07	10-16 X 7/16 HXWSSLD SERTYB	2.000 EA
11XW1032G06	10-32 X .38, TAPTITE II, HEX WSHR SLTD U	1.000 EA
35EP3100M71MW	SPL FR ENDPLATE -TENV- SP.#9 (WHITE EPOX	1.000 EA
HW4032A01	BLACK DRAIN PLUG FOR WASH DOWN MOTORS	3.000 EA
HW5100A03SP	WAVY WASHER (W1543-017)	1.000 EA
35EP3300A48MW	SPL FACE MTD EP - 205 BRG - W/SEAL FOR W	1.000 EA
HW4032A01	BLACK DRAIN PLUG FOR WASH DOWN MOTORS	3.000 EA
HW4600B49SP	SEAL 0.938 X 1.624 X 0.250 SINGLE LIP DB	1.000 EA
12XN1032S20	10-32 X 1-1/4 HEX M.S. , STAINLESS STEEL	2.000 EA
35CB4522	35 LIPPED CB LID AUTOPHORETIC	1.000 EA
35GS1030A02	35 GS FOR CB LID - WHITE NEOPRENE	1.000 EA
59XW0832S07	TAPTITE II,HEX WSHR UNSLTD SER,410 S.S.,	4.000 EA
HW4600B46SP	SEAL 0.875 X 1.420 X 0.240 FACE SEALING	1.000 EA
HW2502D13	SS KEY, 3/16 SQ X 1.375	1.000 EA
HA7000A04	KEY RETAINER 0.625 DIA SHAFTS	1.000 EA
MJ5001A01	46-665 RED SEALER	0.001 QT
85XU0407S04	4X1/4 U DRIVE PIN STAINLESS	2.000 EA
LB1164	LABEL,WARNING AND DRAIN	1.000 EA

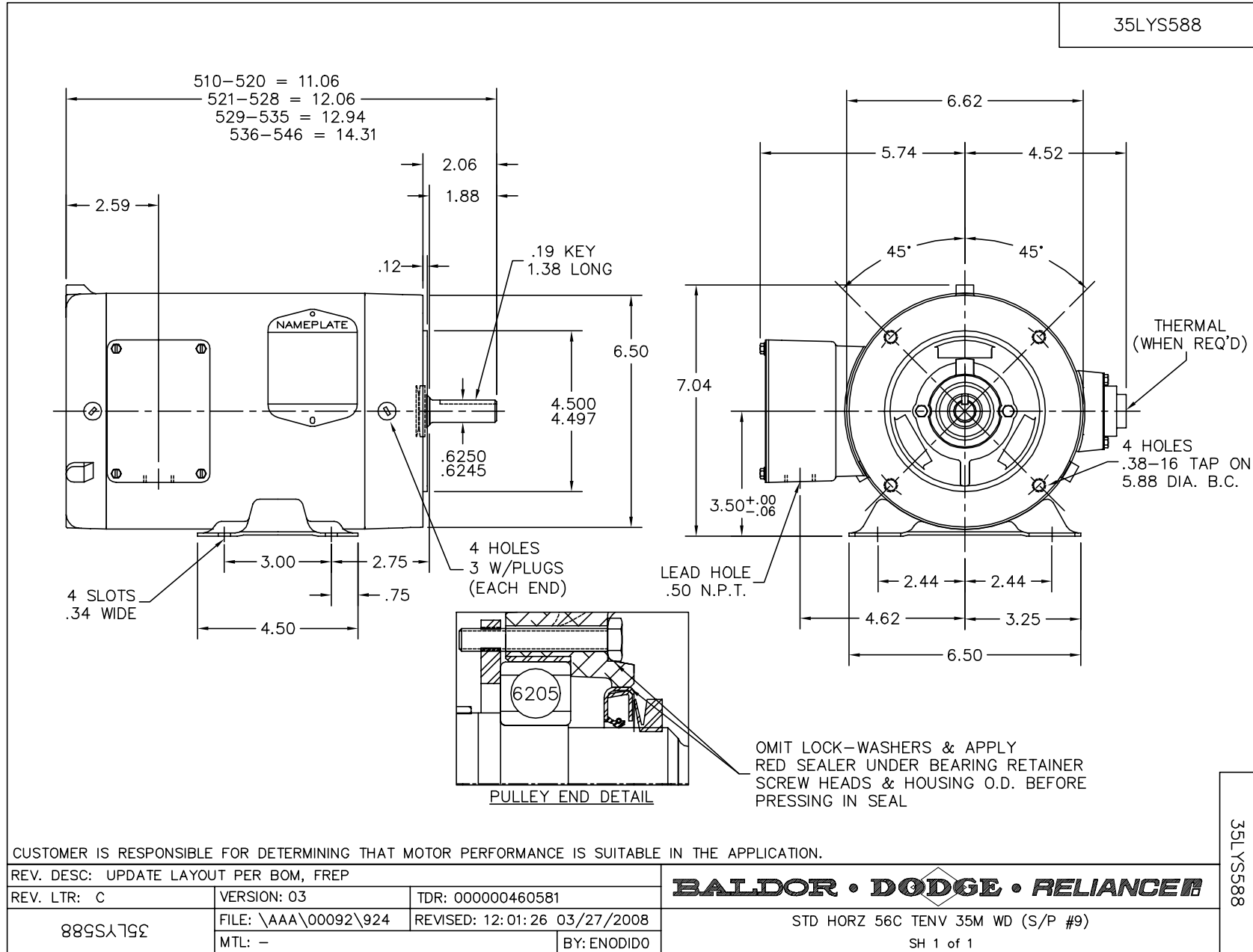
Parts List (continued)		
Part Number	Description	Quantity
HA5027A01	HA4066A01 T-DRAIN X2 BAGGED	1.000 EA
MJ1000A75	GREASE, POLYREX EM EXXON	0.050 LB
MG1025Z20	ACTIVATOR WILKOFAS 060.32	0.010 GA
MG1025W11	PAINT- 781-101 WILKOFAS WHITE EPOXY	0.017 GA
HA3100S07	THRUBOLT 10-32 X 8.375 SS	4.000 EA
LB1125C02	SUPER-E (STOCK CTN LABEL SUPER-E WITH FL	1.000 EA
LC0006	CONNECTION LABEL	1.000 EA
LB1357	ENERGY GUIDE LABEL (BOX LABEL)	1.000 SH
NP1669L	SS WD SUPER-E UL CSA-EEV PREM REV MTG	1.000 EA
35PA1066	PACKING GROUP COMBINED PRINT	1.000 EA
PK3082	STYROFOAM CRADLE	1.000 EA

Performance Data at 575V, 60Hz, 1.0HP (Typical performance - Not guaranteed values)

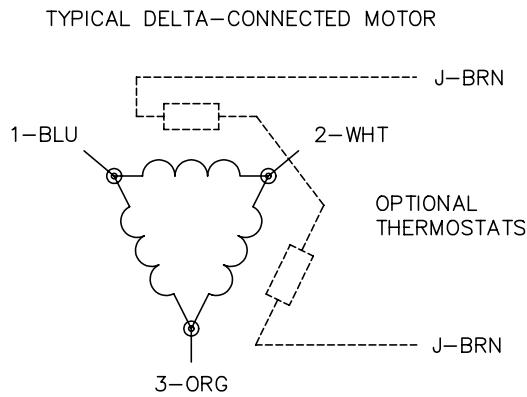
General Characteristics							
Full Load Torque:	3.02 LB-FT			Start Configuration:	DOL		
No-Load Current:	0.706 Amps			Break-Down Torque:	14.2 LB-FT		
Line-line Res. @ 25°C.:	25.0 Ohms A Ph / 0.0 Ohms B Ph			Pull-Up Torque:	8.67 LB-FT		
Temp. Rise @ Rated Load:	85 C			Locked-Rotor Torque:	10.2 LB-FT		
Temp. Rise @ S.F. Load:	100 C			Starting Current:	10.7 Amps		
Load Characteristics							
% of Rated Load	25	50	75	100	125	150	S.F.
Power Factor:	32.0	53.0	67.0	76.0	81.0	86.0	79.0
Efficiency:	76.2	83.6	85.9	85.6	85.0	82.8	85.2
Speed:	1784.0	1774.0	1760.0	1744.0	1731.0	1698.0	1736.0
Line Amperes:	0.741	0.832	0.968	1.15	1.35	1.58	1.27

Performance Graph at 575V, 60Hz, 1.0HP Typical performance - Not guaranteed values





CD0006



NOTES:

1. THREE LEAD MOTOR MAY BE EITHER WYE CONNECTED OR DELTA CONNECTED.
2. INTERCHANGE ANY TWO LINE LEADS TO REVERSE ROTATION.
3. OPTIONAL THERMOSTATS ARE PROVIDED WHEN SPECIFIED.
4. ACTUAL NUMBER OF INTERNAL PARALLEL CIRCUITS MAY VARY.
5. LEAD COLORS ARE OPTIONAL. LEADS MUST BE NUMBERED AS SHOWN.

REV. DESC: REVISE TO SHOW OPTIONAL COLORS			
REV. LTR: D	BY: JLP	REVISED: 01/21/99 4:02	TDR: 0171435
9000D		FILE: AAA00005141	MDL: -
		MTL: -	

BALDOR ELECTRIC Co.

3PH, SV, 3 LEADS, WYE OR DELTA CONNECTED

CD0006