

# **BALDOR® • RELIANCE**

## **Product Information Packet**

# **CFDL3510M**

**1HP,1725RPM,1PH,60HZ,56CH,3528L,TEFC,F1**

Copyright © All product information within this document is subject to Baldor Electric Company copyright © protection, unless otherwise noted.

Part Detail							
Revision:	-	Status:	PRD/A	Change #:		Proprietary:	No
Type:	AC	Prod. Type:	3528L	Elec. Spec:	35WGN443	CD Diagram:	
Enclosure:	TEFC	Mfg Plant:		Mech. Spec:	35E1547	Layout:	
Frame:	56CH	Mounting:	F1	Poles:	04	Created Date:	09-13-2012
Base:	RG	Rotation:	R	Insulation:	F	Eff. Date:	09-24-2012
Leads:	4#16 A&J,2#18 B PH,1#	Literature:		Elec. Diagram:		Replaced By:	

Nameplate NP1280L							
CAT.NO.	CFDL3510M						
SPEC.	35E1547N443G1						
HP	1						
VOLTS	115/230						
AMP	11.8/5.9						
RPM	1725						
FRAME	56CH	HZ	60	PH	1		
SER.F.	1.15	CODE	L	DES	L	CL	F
NEMA-NOM-EFF	70	PF	78				
RATING	40C AMB-CONT						
CC	USABLE AT 208V		6.3				
DE	6205	ODE	6203				
ENCL	TEFC	SN					

Parts List		
Part Number	Description	Quantity
SA251539	SA 35E1547N443G1	1.000 EA
RA238378	RA 35E1547N443G1	1.000 EA
TPCRD4706	THERMAL 1PH 1.00 MAN 120C	1.000 EA
EC1850A06SP	ELEC CAP 115V 2.0 X 4.3 X	1.000 EA
TP5059	GENERIC THERMAL KIT	1.000 EA
NS2512A01	INSULATOR, CONDUIT BOX X	1.000 EA
35CB3007A58	35 CB .88 DIA @ 6, 1.00 MTO W/BOOT @ 3 (	1.000 EA
36GS1000SP	GASKET-CONDUIT BOX, .06 THICK #SV-330 LE	1.000 EA
51XB1016A07	10-16 X 7/16 HXWSSLD SERTYB	2.000 EA
11XW1032G06	10-32 X .38, TAPTITE II, HEX WSHR SLTD U	1.000 EA
NS2500A02	INSULATOR, MAN THER PROT	1.000 EA
HA6015A11	EARED 1" THERMAL RETAINER (PLATED)	1.000 EA
RM1014A01SP	BUTYL RUB.THRM COV. (MENA)	1.000 EA
51XB1214A10	12-14 X 5/8HX WS SL SR TYBX	2.000 EA
35EP3100M02	FREP TEFC 203 BRG W/O GR SR (RAISED FH MT	1.000 EA
51XW0832A07	8-32 X .44, TAPTITE II, HEX WSHR SLTD SE	2.000 EA
NS2501A01	INSULATOR, CAPACITOR	1.000 EA
35GS3001A02	GASKET, CA.COVER, 5.38 LONG .06 CS301	1.000 EA
51XB1016A05	10-16X5/16HX WA SL SR TYB (F/S)	2.000 EA
HW5100A03SP	WAVY WASHER (W1543-017)	1.000 EA
35EP3300A33	SPL FACE MTD EP -ENCL-205 BRG	1.000 EA
51XN1032A20	10-32 X 1 1/4 HX WS SL SR	2.000 EA
35FH4005A32SP	IEC FH NO GR SR W/3 HOLES - W/AUTOPHERETI	1.000 EA
51XW1032A06	10-32 X .38, TAPTITE II, HEX WSHR SLTD S	3.000 EA

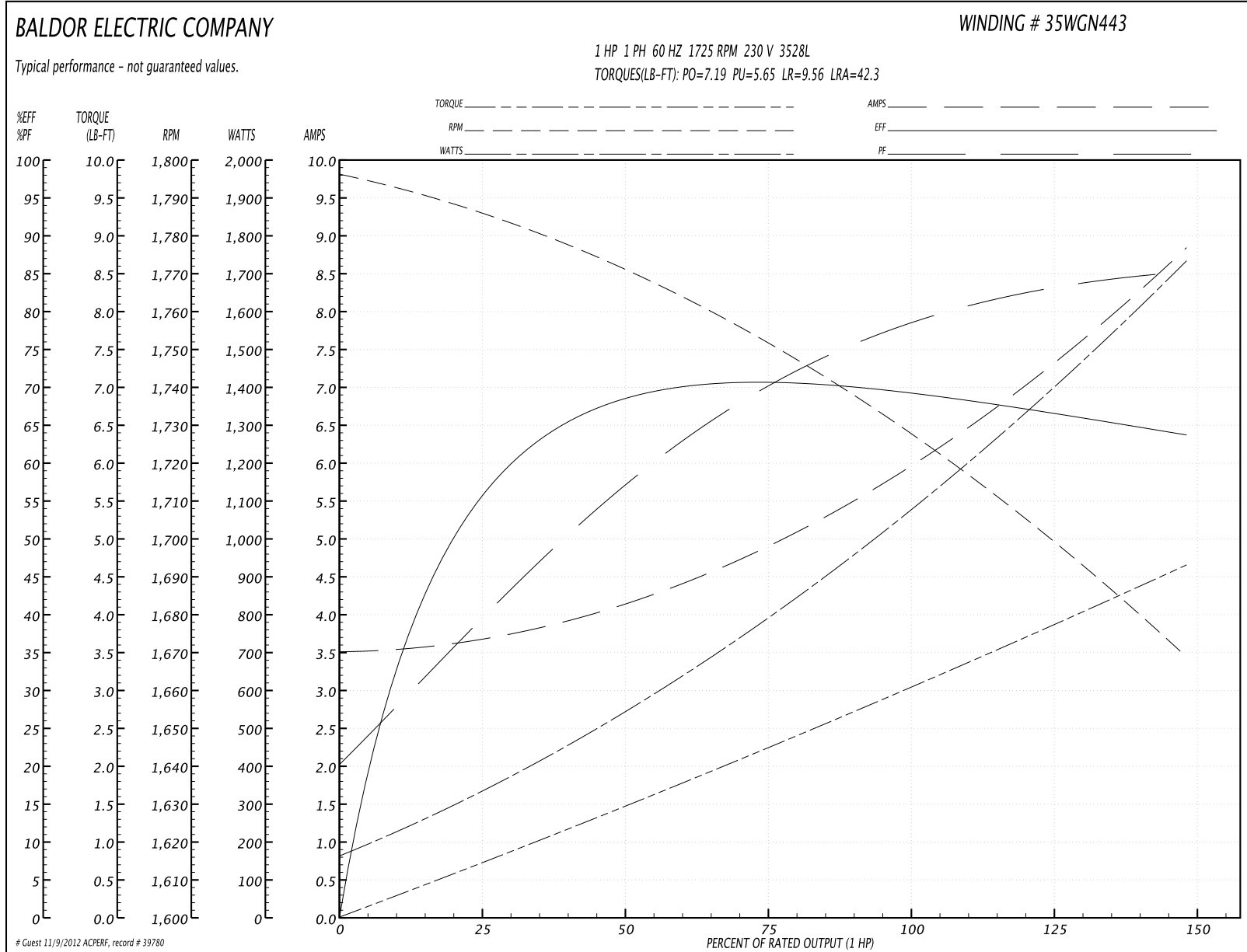
Parts List (continued)		
Part Number	Description	Quantity
35CB4521GX	CONDUIT BOX LID KIT	1.000 EA
51XW0832A07	8-32 X .44, TAPTITE II, HEX WSHR SLTD SE	4.000 EA
HW2501D13SP	KEY, 3/16 SQ X 1.375	1.000 EA
HA7000A04	KEY RETAINER 0.625 DIA SHAFTS	1.000 EA
85XU0407S04	4X1/4 U DRIVE PIN STAINLESS	2.000 EA
LB1087	LABEL,MANUAL RESET (ROLL LABEL)	1.000 EA
WD1000A15	3-520132-2 AMP FLAG (4M/RL NON-CANC/NON-	2.000 EA
MJ1000A75	GREASE, POLYREX EM EXXON	0.050 LB
MG1025Z20	ACTIVATOR WILKOFAS 060.32	0.010 GA
35FN3002A05SP	EXFN, PLASTIC, 6.376 OD, .638 ID	1.000 EA
51XB1214A16	12-14X1.00 HXWSSLD SERTYB	1.000 EA
SP5055A67	MODEL 35 TYPE L STATIONARY SWITCH	1.000 EA
HA3100A15	THRUBOLT 10-32 X 8.375	4.000 EA
35CB4802A02SP	CAPACITOR COVER, STAMPED X W/AUTOPHORET	1.000 EA
MG1025C02	PAINT, 787.105 LITE TAN EPOXY (USE W/MG1	0.017 GA
LB1119	WARNING LABEL	1.000 EA
LB1125C01	STD (STOCK) CARTON LABEL BALDOR WITH FLA	1.000 EA
LC0269	1PH,DV,REV,THERMAL,7 LD,LAMP THRU HTR H	1.000 EA
NP1280L	ALUM FARM DUTY UL CSA CC THERMAL	1.000 EA
36PA1000	PACK GROUP W/LB5001	1.000 EA

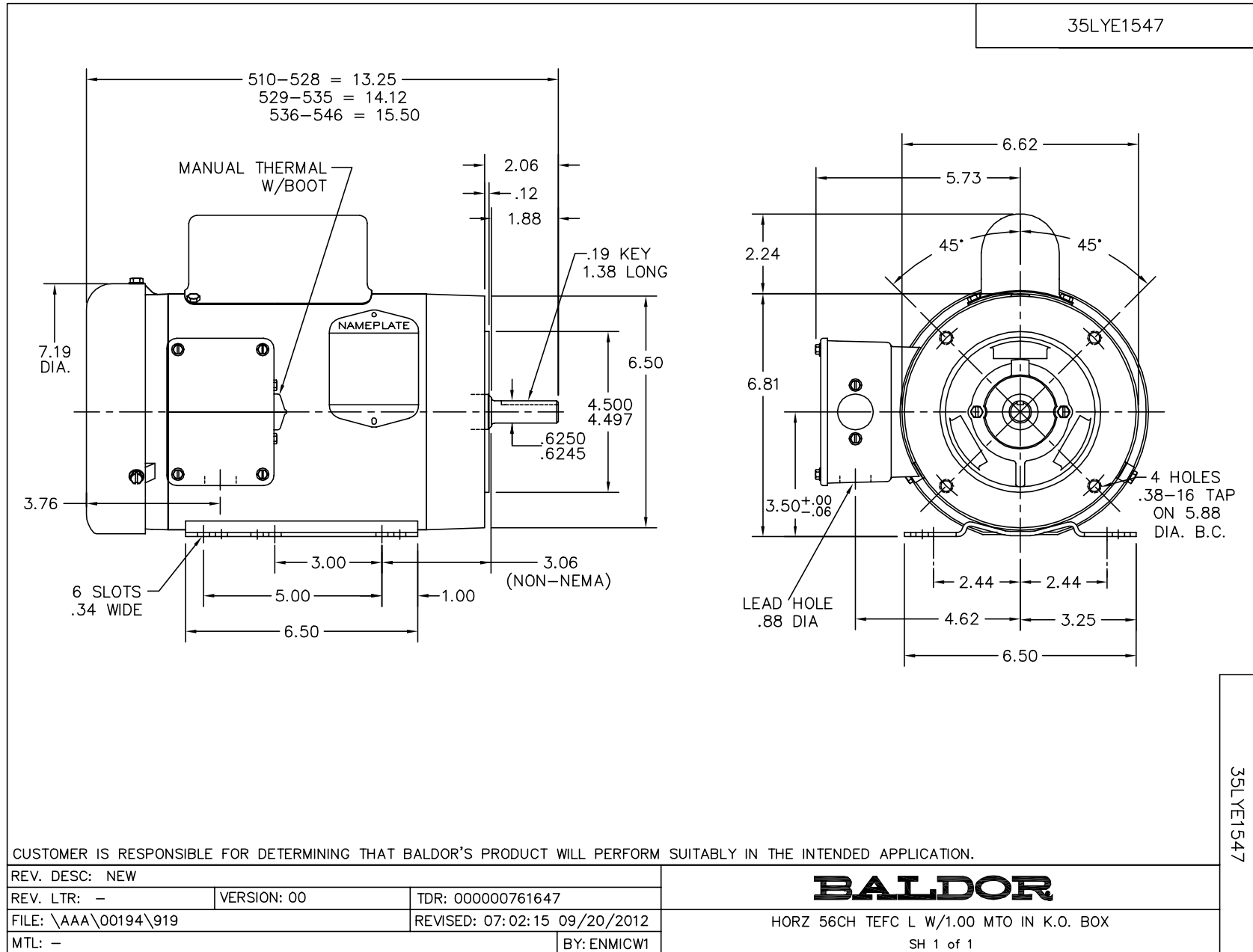
**Performance Data at 230V, 60Hz, 1.0HP (Typical performance - Not guaranteed values)**

General Characteristics			
Full Load Torque:	2.99 LB-FT	Start Configuration:	DOL
No-Load Current:	3.48 Amps	Break-Down Torque:	7.19 LB-FT
Line-line Res. @ 25°C.:	2.6968 Ohms A Ph / 1.2724 Ohms B Ph	Pull-Up Torque:	5.65 LB-FT
Temp. Rise @ Rated Load:	85 C	Locked-Rotor Torque:	9.56 LB-FT
Temp. Rise @ S.F. Load:	104 C	Starting Current:	42.3 Amps

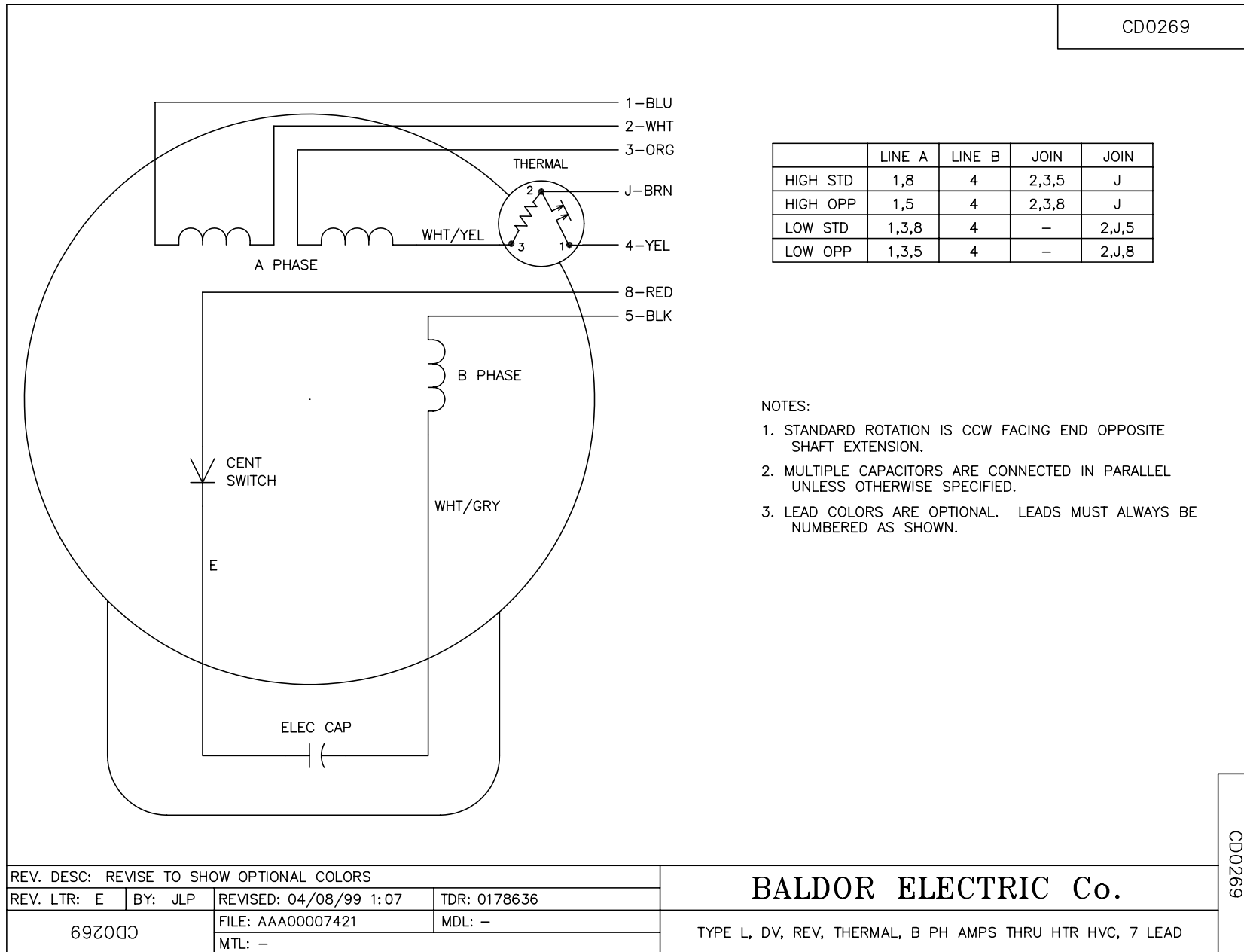
Load Characteristics							
% of Rated Load	25	50	75	100	125	150	S.F.
Power Factor:	39.0	57.0	70.0	78.0	83.0	86.0	81.0
Efficiency:	52.1	66.0	70.4	70.1	68.0	63.1	68.8
Speed:	1784.4	1769.6	1751.8	1731.7	1705.7	1665.7	1716.0
Line Amperes:	3.67	4.15	4.89	5.87	7.11	8.9	6.61

Performance Graph at 230V, 60Hz, 1.0HP Typical performance - Not guaranteed values





CD0269



NOTES:

1. STANDARD ROTATION IS CCW FACING END OPPOSITE SHAFT EXTENSION.
2. MULTIPLE CAPACITORS ARE CONNECTED IN PARALLEL UNLESS OTHERWISE SPECIFIED.
3. LEAD COLORS ARE OPTIONAL. LEADS MUST ALWAYS BE NUMBERED AS SHOWN.

REV. DESC: REVISE TO SHOW OPTIONAL COLORS			
REV. LTR: E	BY: JLP	REVISED: 04/08/99 1:07	TDR: 0178636
692000		FILE: AAA00007421	MDL: -
CD0269		MTL: -	

**BALDOR ELECTRIC Co.**

TYPE L, DV, REV, THERMAL, B PH AMPS THRU HTR HVC, 7 LEAD

CD0269