

# **BALDOR**® • **RELIANCE**

## **Product Information Packet**

# **CFDL3516TM**

**2HP, 1725RPM, 1PH, 60HZ, 56CHZ, 3535LC, TEFC**

Copyright © All product information within this document is subject to Baldor Electric Company copyright © protection, unless otherwise noted.

Part Detail									
Revision:	Y	Status:	PRD/A	Change #:		Proprietary:	No		
Type:	AC	Prod. Type:	3535LC	Elec. Spec:	35WGS247	CD Diagram:			
Enclosure:	TEFC	Mfg Plant:		Mech. Spec:	35L869	Layout:			
Frame:	56CHZ	Mounting:	F1	Poles:	04	Created Date:			
Base:	RG	Rotation:	R	Insulation:	F	Eff. Date:	11-18-2011		
Leads:	2#16 A PH,3#18 B&J	Literature:		Elec. Diagram:		Replaced By:			
Nameplate NP1280L									
CAT.NO.	CFDL3516TM								
SPEC.	35L869S247								
HP	2								
VOLTS	208-230								
AMP	8.6-8.3								
RPM	1725								
FRAME	56CHZ	HZ			60	PH	1		
SER.F.	1.15	CODE			J	DES	L	CL	F
NEMA-NOM-EFF	78	PF			99				
RATING	40C AMB-CONT								
CC				USABLE AT 208V					
DE	6205	ODE			6203				
ENCL	TEFC	SN							

Parts List		
Part Number	Description	Quantity
SA027408	SA 35L869S247	1.000 EA
RA023456	RA 35L869S247	1.000 EA
OC3030F11SP	CYL OIL CAP 30MFD/370V	1.000 EA
EC1216C06SP	ELEC CAP, 216-259 MFD, 250V, 2.06D X 4.	1.000 EA
TP5059	GENERIC THERMAL KIT	1.000 EA
NS2512A01	INSULATOR, CONDUIT BOX X	1.000 EA
35CB3007A58	35 CB .88 DIA @ 6, 1.00 MTO W/BOOT @ 3 (	1.000 EA
36GS1000SP	GASKET-CONDUIT BOX, .06 THICK #SV-330 LE	1.000 EA
51XB1016A07	10-16 X 7/16 HXWSSLD SERTYB	2.000 EA
11XW1032G06	10-32 X .38, TAPTITE II, HEX WSHR SLTD U	1.000 EA
HA6015A11	EARED 1" THERMAL RETAINER (PLATED)	1.000 EA
RM1014A01SP	BUTYL RUB.THRM COV. (MENA)	1.000 EA
NS2500A02	INSULATOR, MAN THER PROT	1.000 EA
51XB1214A10	12-14 X 5/8HX WS SL SR TYBX	2.000 EA
35EP3100M02	FREP TEFC 203 BRG W/O GR SR (RAISED FH MT	1.000 EA
51XW0832A07	8-32 X .44, TAPTITE II, HEX WSHR SLTD SE	2.000 EA
35CB3801SP	CAPACITOR COVER, CAST	1.000 EA
34GS3002	GASKET, CAPACITOR BOX	1.000 EA
HA7010	CAPACITOR RETENTION CLAMP	1.000 EA
NS2501A02	INSULATOR, CAPACITOR BOX	1.000 EA
51XB1016A08	10-16X 1/2HXWSSLD SERTYB	2.000 EA
HW5100A03SP	WAVY WASHER (W1543-017)	1.000 EA
35EP3300A33	SPL FACE MTD EP -ENCL-205 BRG	1.000 EA
51XN1032A20	10-32 X 1 1/4 HX WS SL SR	2.000 EA

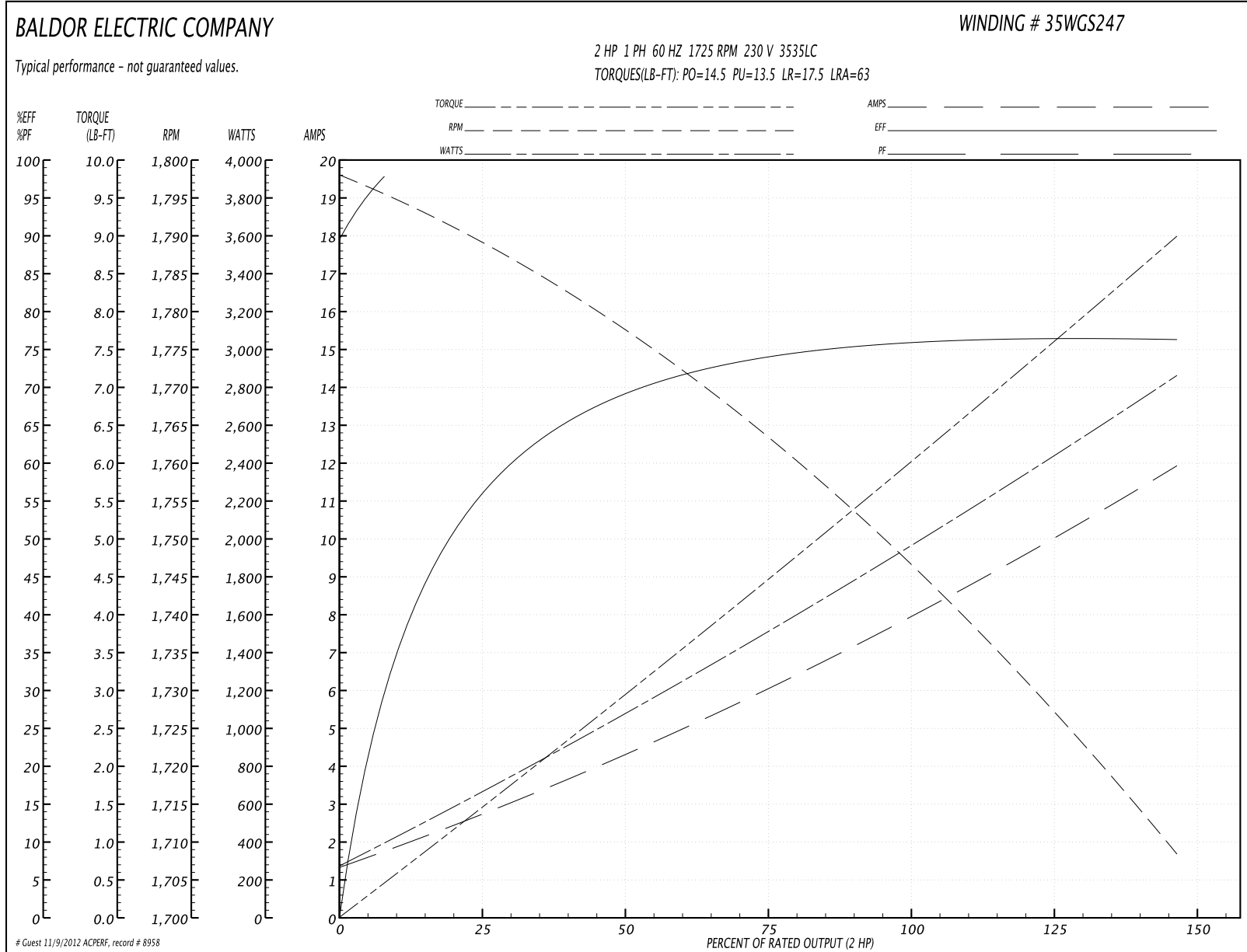
Parts List (continued)		
Part Number	Description	Quantity
35FN3002A05SP	EXFN, PLASTIC, 6.376 OD, .638 ID	1.000 EA
51XB1214A16	12-14X1.00 HXWSSLD SERTYB	1.000 EA
51XW1032A06	10-32 X .38, TAPTITE II, HEX WSHR SLTD S	3.000 EA
35CB4521GX	CONDUIT BOX LID KIT	1.000 EA
51XW0832A07	8-32 X .44, TAPTITE II, HEX WSHR SLTD SE	4.000 EA
HW2501D13SP	KEY, 3/16 SQ X 1.375	1.000 EA
HA7000A01	KEY RETAINER 7/8" DIA SHAFT	1.000 EA
85XU0407S04	4X1/4 U DRIVE PIN STAINLESS	2.000 EA
MJ1000A75	GREASE, POLYREX EM EXXON	0.050 LB
MG1025Z20	ACTIVATOR WILKOFAS 060.32	0.010 GA
35FH4005A32SP	IEC FH NO GRSR W/3 HOLES - W/AUTOPHERETI	1.000 EA
LB1087	LABEL,MANUAL RESET (ROLL LABEL)	1.000 EA
HA3100A18	THRUBOLT 10-32 X 9.250	4.000 EA
WD1000A15	3-520132-2 AMP FLAG (4M/RL NON-CANC/NON-	4.000 EA
SP5181A01	MODEL 35 LC TORQ STAT SWITCH LEAD ASSY	1.000 EA
MG1025C02	PAINT, 787.105 LITE TAN EPOXY (USE W/MG1	0.017 GA
LB1119	WARNING LABEL	1.000 EA
LB1125C01	STD (STOCK) CARTON LABEL BALDOR WITH FLA	1.000 EA
LC0002	CONNECTION LABEL	1.000 EA
NP1280L	ALUM FARM DUTY UL CSA CC THERMAL	1.000 EA
36PA1000	PACK GROUP W/LB5001	1.000 EA

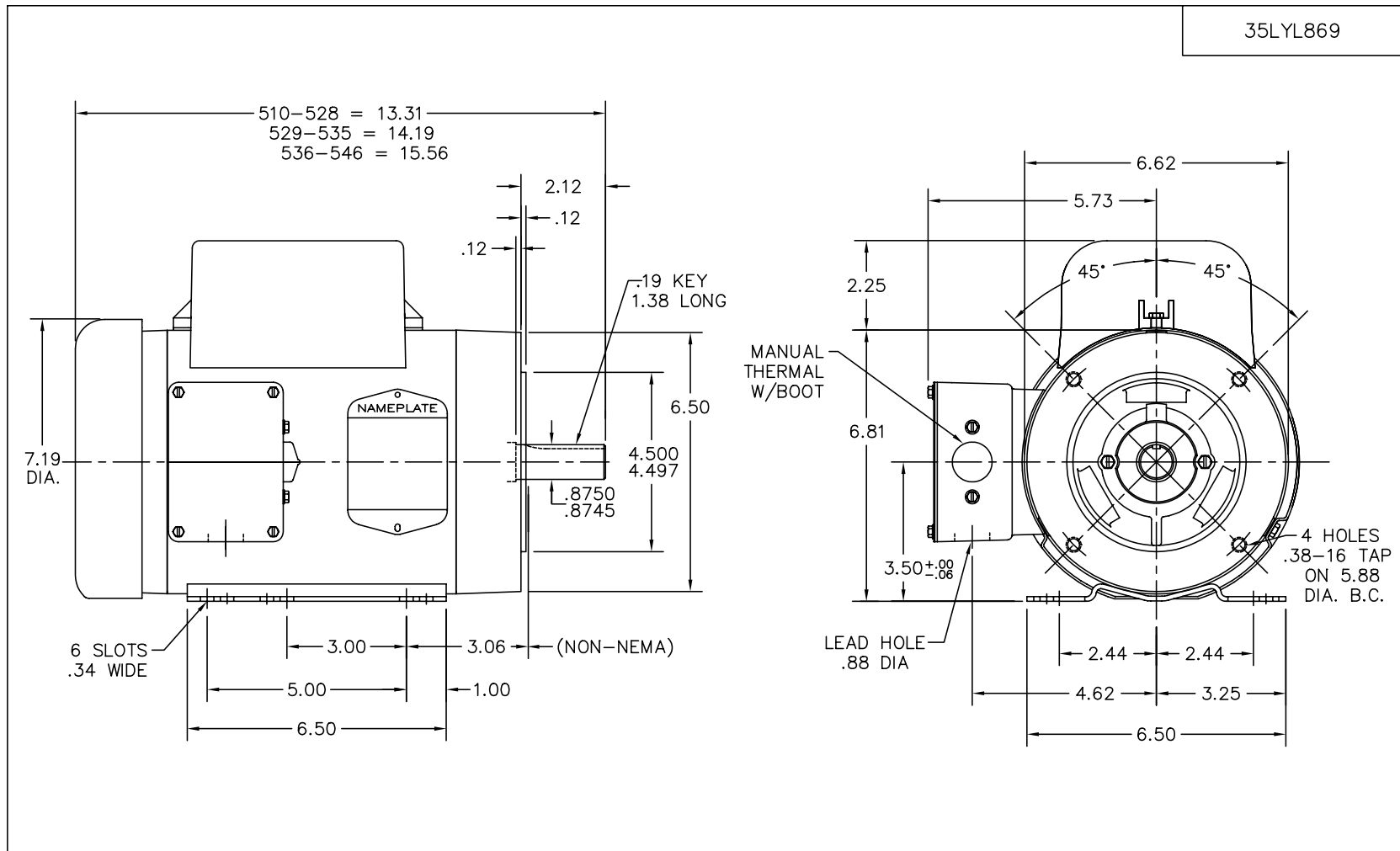
**Performance Data at 230V, 60Hz, 2.0HP (Typical performance - Not guaranteed values)**

General Characteristics			
Full Load Torque:	6.0 LB-FT	Start Configuration:	DOL
No-Load Current:	1.4 Amps	Break-Down Torque:	14.5 LB-FT
Line-line Res. @ 25°C.:	1.63 Ohms A Ph / 3.45 Ohms B Ph	Pull-Up Torque:	13.5 LB-FT
Temp. Rise @ Rated Load:	71 C	Locked-Rotor Torque:	17.5 LB-FT
Temp. Rise @ S.F. Load:	89 C	Starting Current:	63.0 Amps

Load Characteristics							
% of Rated Load	25	50	75	100	125	150	S.F.
Power Factor:	87.0	95.0	98.0	99.0	99.0	99.0	99.0
Efficiency:	48.3	68.2	75.4	77.9	77.2	75.2	77.5
Speed:	1789.0	1777.0	1763.0	1748.0	1727.0	1709.0	1735.0
Line Amperes:	2.7	4.3	6.1	7.9	10.1	11.8	9.2

Performance Graph at 230V, 60Hz, 2.0HP Typical performance - Not guaranteed values





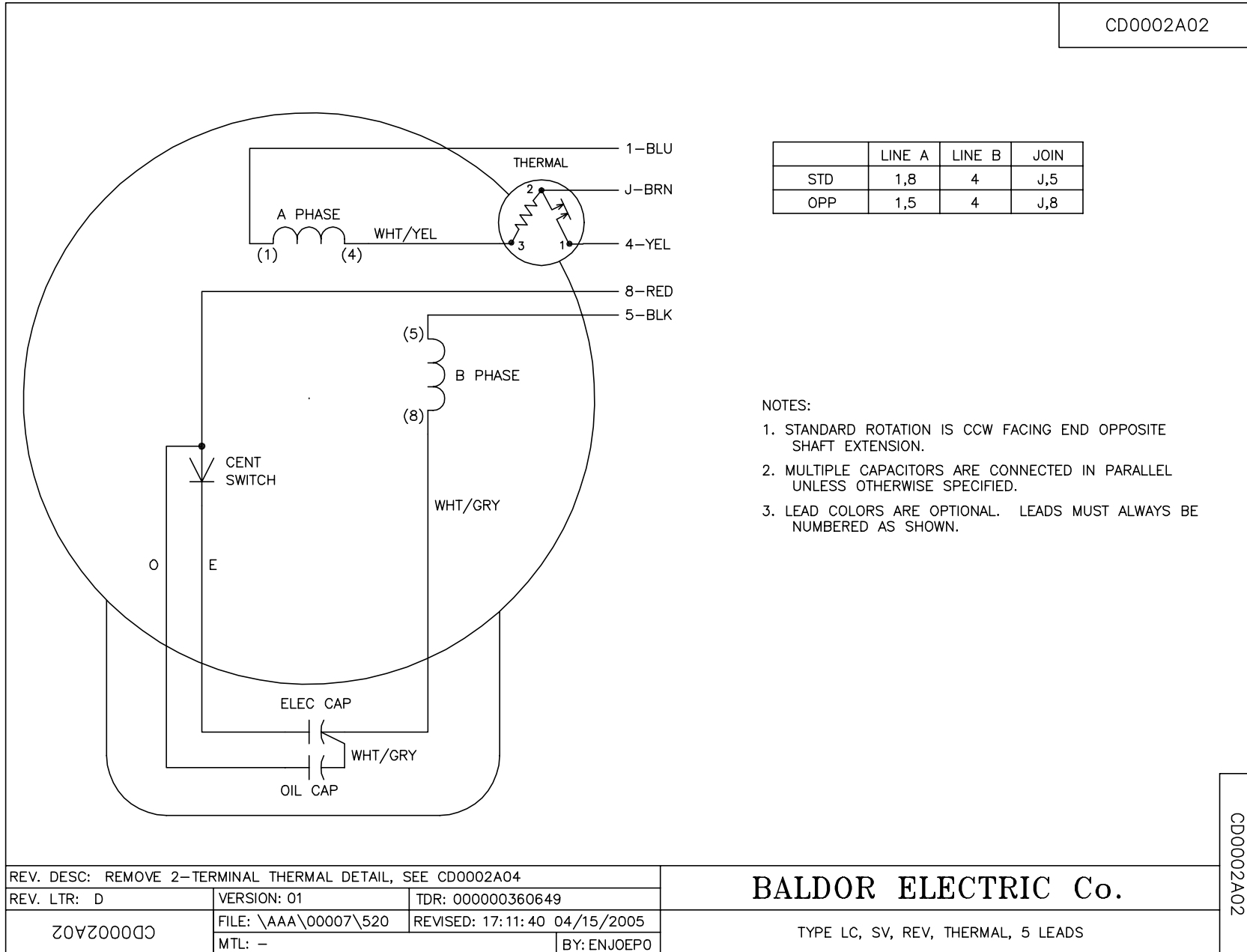
35LYL869

FARM DUTY MOTOR

CUST. NAME		CUST. P.O.		CERTIFIED BY		MODEL		INSUL		AMB							
H.P.		MTG		TYPE		R.P.M.		VOLTS		ENCL		PHASE		FREQ		FRAME	
REV. DESC: CHG'D CONDUIT BOX AND LID (SEE EC09)												<b>BALDOR ELECTRIC Co.</b>					
REV. LTR: C		BY: JED		REVISED: 04/23/99 1:38				TDR: 0171814									
6987179		FILE: AAA00014226				MDL: -											
MTL: -												HORZ 56CHZ TEFC 35LC, 1" MTO IN KO BOX (FARM DUTY)					

35LYL869

CD0002A02



CD0002A02

REV. DESC: REMOVE 2-TERMINAL THERMAL DETAIL, SEE CD0002A04		
REV. LTR: D	VERSION: 01	TDR: 000000360649
Z0VZ0000C CD0002A02	FILE: \AAA\00007\520	REVISED: 17:11:40 04/15/2005
	MTL: -	BY: ENJOEPO

**BALDOR ELECTRIC Co.**

TYPE LC, SV, REV, THERMAL, 5 LEADS