

BALDOR® • RELIANCE

Product Information Packet

CFM3036A

.5HP, 1140RPM, 3PH, 60HZ, 48YZ, 3418M, OPEN, F1

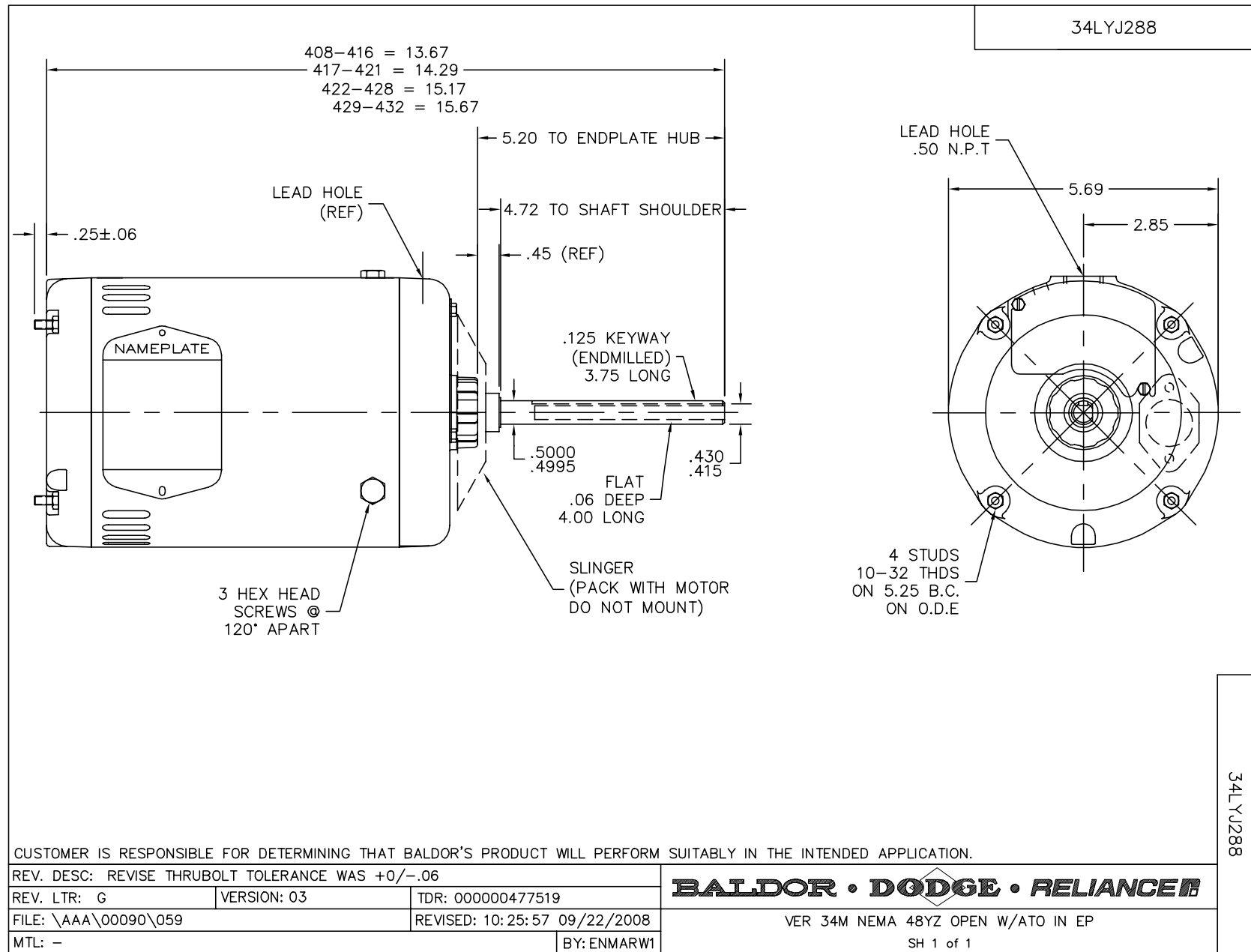
Copyright © All product information within this document is subject to Baldor Electric Company copyright © protection, unless otherwise noted.

Part Detail							
Revision:	N	Status:	PRD/A	Change #:		Proprietary:	No
Type:	AC	Prod. Type:	3418M	Elec. Spec:	34WGW529	CD Diagram:	
Enclosure:	OPEN	Mfg Plant:		Mech. Spec:	34J288	Layout:	
Frame:	48YZ	Mounting:	F1	Poles:	06	Created Date:	
Base:	N	Rotation:	R	Insulation:	B	Eff. Date:	03-23-2011
Leads:	12#18	Literature:		Elec. Diagram:		Replaced By:	

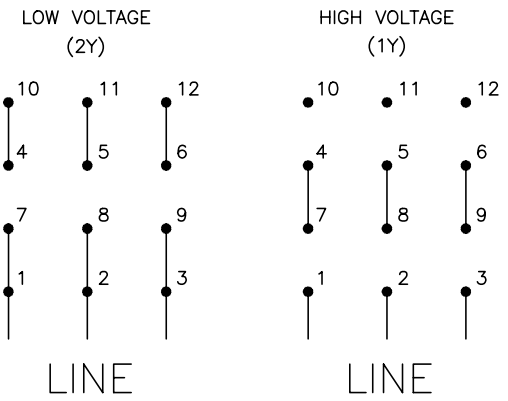
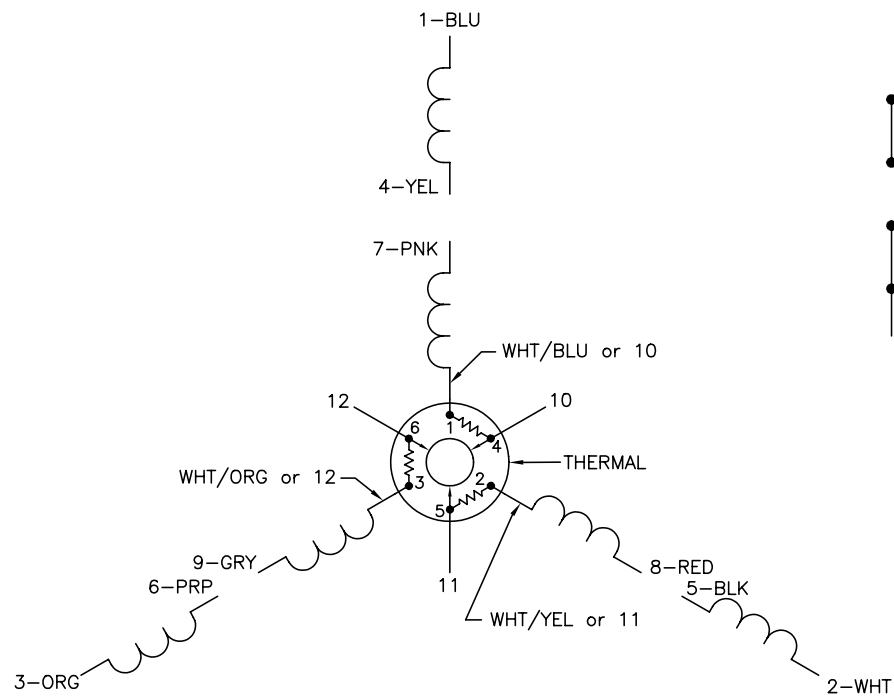
Nameplate NP1257L							
CAT.NO.	CFM3036A						
SPEC.	34J288W529G1						
HP	.5						
VOLTS	208-230/460						
AMP	2.5-2.4/1.2						
RPM	1140						
FRAME	48YZ	HZ	60	PH	3		
SER.F.	1.00	CODE	J	DES	B	CL	F
NEMA-NOM-EFF	72	PF	55				
RATING	60C AMB-CONT						
CC		USABLE AT 208V	2.5				
DE	6203	ODE	6203				
ENCL	OPEN	SN					

Parts List		
Part Number	Description	Quantity
SA081426	SA 34J288W529G1	1.000 EA
RA074788	RA 34J288W529G1	1.000 EA
TPMYJ68KX	THERMAL 3PH 0.75 AUT 120C	1.000 EA
SP1000A01	TERM BOARD, MODEL 34 SW	1.000 EA
51XW0832A07	8-32 X .44, TAPTITE II, HEX WSHR SLTD SE	3.000 EA
11XW1032G06	10-32 X .38, TAPTITE II, HEX WSHR SLTD U	1.000 EA
34EP3200A01SP	FR ENDPLATE, MACH	1.000 EA
MJ5004A05	#242-21 LOCTITE GENERAL PURPOSE MED. STR	0.010 EA
HW5100A03SP	WAVY WASHER (W1543-017)	1.000 EA
34EP3204B18	FR/PU ENDPLATE, MACH 17 FRAME W/5 NPT L	1.000 EA
HA6001A01	THERMAL RETAINER (PLATED)	1.000 EA
NS2500A01	INSULATOR, AUTO THER PROT	1.000 EA
51XB1214A10	12-14 X 5/8HX WS SL SR TYBX	2.000 EA
XY1032A02	10-32 HEX NUT DIRECTIONAL SERRATION	4.000 EA
HW1000A10	#10 FLAT WASHER (SAE)	4.000 EA
HW2501B32	KEY, 1/8 SQ X 3.75	1.000 EA
HA7000A08	KEY RETAINER RING FOR 1/2" DIA SHAFTS	1.000 EA
34CB4501SP	TERMINAL BOX LID, STAMPED X (PLATED)	1.000 EA
34GS1018	GASKET, TERM PLATE LID BLACK NEOPRENE	1.000 EA
51XW0832A07	8-32 X .44, TAPTITE II, HEX WSHR SLTD SE	2.000 EA
HA1041A01	CUPPED SLINGER KENCO	1.000 EA
10XN2520A06	1/4 20X3/8 HX HD CAP	3.000 EA
MG1000G27	PAINT- S9282E CHARCOAL GREY	0.014 GA
10XF0440S02	04-40 X 1/8 TYPE F HEX HD STAINLESS STIC	2.000 EA

Parts List (continued)		
Part Number	Description	Quantity
HA3100A15	THRUBOLT 10-32 X 8.375	4.000 EA
LB5040	INSTRUCTION TAG, AC & DC	1.000 EA
LB1118	LABEL,WARNING (ROLL LABEL)	1.000 EA
LB1125C01	STD (STOCK) CARTON LABEL BALDOR WITH FLA	1.000 EA
LC0007	CONN.DIAGRAM (3PHASE W/THERMAL)	1.000 EA
NP1257L	ALUM UL CSA CC THERMAL REV MTG	1.000 EA
PK3083T	STYROFOAM PACKING CRADLE W/TAPE	1.000 EA
PK3085	STYROFOAM SHAFT SUPPORT ZELLERBACH	1.000 EA
27PA1001	PACKAGING GROUP	1.000 EA



CD0007



NOTES:

1. INTERCHANGE ANY TWO LINE LEADS TO REVERSE ROTATION.
2. ACTUAL NUMBER OF INTERNAL PARALLEL CIRCUITS MAY VARY.
3. LEAD COLORS ARE OPTIONAL. LEADS MUST ALWAYS BE NUMBERED AS SHOWN.

REV. DESC: ADDED "CK" PLANT CODE			
REV. LTR: E	BY: EAH	REVISED: 05/06/99 17:1	TDR: 0181040
L00000		FILE: AAA00008370	MDL: -
		MTL: -	

BALDOR ELECTRIC Co.

3PH, DV, THERMAL, 12 LEADS

CD0007