

BALDOR® • *RELIANCE*

Product Information Packet

CHC445A

.75HP, 1700RPM, 1PH, 60HZ, 56, 1728C, TEAO, F1

Copyright © All product information within this document is subject to Baldor Electric Company copyright © protection, unless otherwise noted.

Part Detail							
Revision:	AB	Status:	PRD/A	Change #:		Proprietary:	No
Type:	AC	Prod. Type:	1728C	Elec. Spec:	17WGW472	CD Diagram:	
Enclosure:	TEAO	Mfg Plant:		Mech. Spec:	17K045	Layout:	
Frame:	56	Mounting:	F1	Poles:	04	Created Date:	
Base:	RS	Rotation:	RS	Insulation:	B	Eff. Date:	05-05-2011
Leads:	6#18,1#16 #1TH	Literature:		Elec. Diagram:		Replaced By:	

Nameplate NP1203A01							
CAT.NO.	CHC445A	ENCL	TEAO				
SPEC.	17K045W472	FRAME	56				
HP	.75 AIR OVER						
VOLTS	115/230						
AMPS	7.2/3.6						
RPM	1700						
HZ	60	PH	1	CL	B		
SER.F.	1.15	DES	-	CODE	F		
FL EFF	74	PF					
RATING	40C AMB-CONT						
SF AMP		USABLE AT 208V					
S/N							
MANUAL	N	AUTO	Y	NONE	N		

Parts List		
Part Number	Description	Quantity
SA074282	SA 17K045W472	1.000 EA
RA067975	RA 17K045W472	1.000 EA
OC3050F09SP	CYL OIL CAP 50MFD/370V	1.000 EA
TPMRJ30RX	THERMAL 1PH 0.75 AUT 120C	1.000 EA
TB0167A01	6 POS SHORT FOOT 300&500 SERIES (27-20,2	1.000 EA
WD1540A02	TERMINAL, 187 SERIES 500 SERIES MAG-MATE	4.000 EA
WD1540A03	TERMINAL, 187 SERIES 300 SERIES MAG-MATE	2.000 EA
WD4100A49	CAPLUG,BP-13/16,PLUG W/RECESSED HEAD	1.000 EA
11XT0832G06	8-32 X 3/8 TY 23 TAPPING	1.000 EA
LD5000A52	LEAD ASSY W/INTERNAL STAR RING TERMINALS	1.000 EA
11XT1032A06	10-32 X 3/8 HX WSHR HD SLTD TYPE 23	2.000 EA
51XW0832A07	8-32 X .44, TAPTITE II, HEX WSHR SLTD SE	4.000 EA
RM1000A03SP	CUSHION RING, MDL 17-33-34	1.000 EA
HA6004A01A	CLAMP CUSHION RING ASSY	1.000 EA
34CB4501SP	TERMINAL BOX LID, STAMPED X (PLATED)	1.000 EA
33CB4800A02	CAPACITOR COVER, STAMPED	1.000 EA
35GS3001A02	GASKET, CA.COVER, 5.38 LONG .06 CS301	1.000 EA
34GS5003	FOAM SLEEVE, ID = 2 1/16" X 3 3/8"	1.000 EA
51XB1016A05	10-16X5/16HX WA SL SR TYB (F/S)	2.000 EA
HW5100A03SP	WAVY WASHER (W1543-017)	1.000 EA
17EP3100D01	PU ENDPLATE, MACH W/HUB ENCLOSED	1.000 EA
XY0832A02	8-32 HEX NUT	4.000 EA
RM1000A03SP	CUSHION RING, MDL 17-33-34	1.000 EA
HA6004A01A	CLAMP CUSHION RING ASSY	1.000 EA

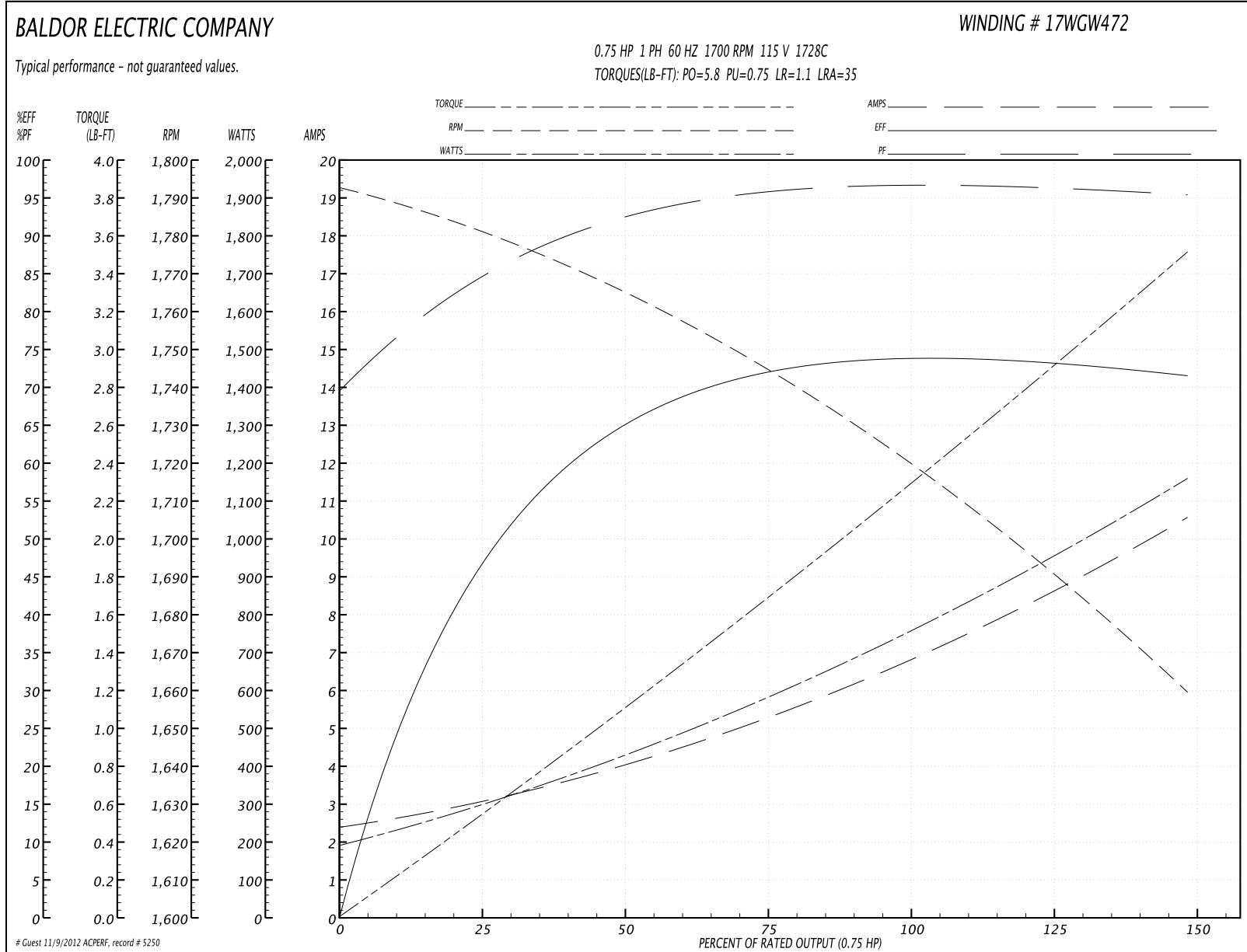
Parts List (continued)		
Part Number	Description	Quantity
34GS1005	GASKET, TERM PLATE LID	1.000 EA
51XW0832A07	8-32 X .44, TAPTITE II, HEX WSHR SLTD SE	2.000 EA
HW2501D13SP	KEY, 3/16 SQ X 1.375	1.000 EA
HA7000A04	KEY RETAINER 0.625 DIA SHAFTS	1.000 EA
17EP3200DT01	FR ENDPLATE, MACH W/HUB	1.000 EA
SP5126A03	MODEL 17C TERMINAL PANEL	1.000 EA
34BA4003G01A	RESILIENT BASE, MODEL 34 NEMA 56 AUTOPHO	1.000 EA
HA3169A16	THRUBOLT #8-32 THDS X 9.937"LG TDR#1	4.000 EA
LB1171	LABEL CARTON 6X6 ON LINE BLANK ROLLS	1.000 EA
LB5040	INSTRUCTION TAG, AC & DC	1.000 EA
NP1203A01	NP LABEL 1PH, DV, REV (FOR COMMERCIAL MO	1.000 EA
36PA1000	PACK GROUP W/LB5001	0.385 EA
LD5000A352	LD ASSY, ML14-JH16, 6.5", W/(1)WD1000A15	1.000 EA
LD5000A353	LD ASSY, ML1400AE16, 5", FLAG, .2" STRIP	1.000 EA
LD5318A01	LD ASSY, ML14-1E16, 6", W/(1) WD1000A15	1.000 EA
LD5000A102	LEAD ASSY, 16 GA, RED, #8, W/FLAG TERMS	1.000 EA
LD53424	LEAD ASSY. MAG MATE	1.000 EA

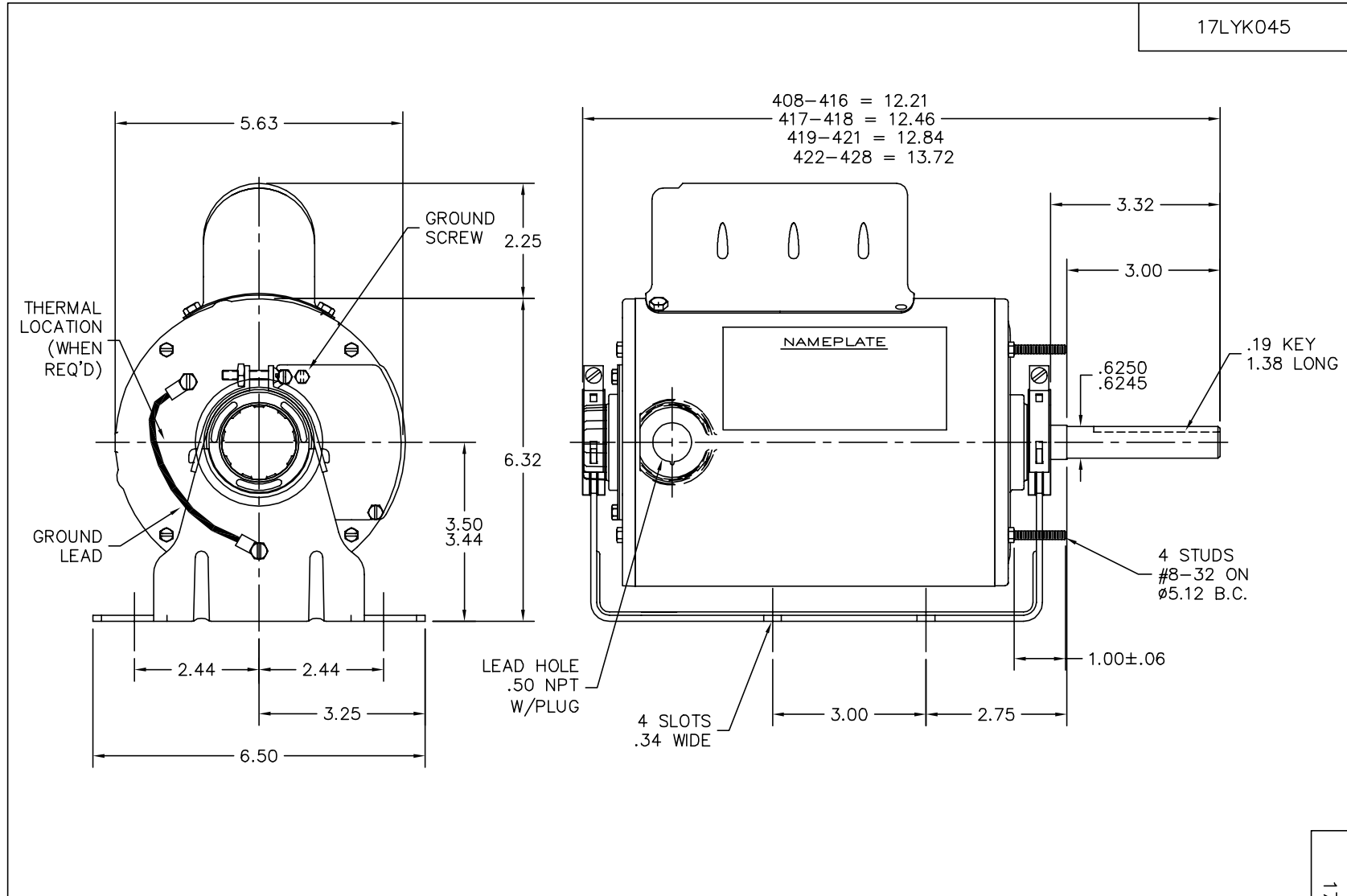
Performance Data at 115V, 60Hz, 0.75HP (Typical performance - Not guaranteed values)

General Characteristics			
Full Load Torque:	2.35 LB-FT	Start Configuration:	DOL
No-Load Current:	2.4 Amps	Break-Down Torque:	5.8 LB-FT
Line-line Res. @ 25°C.:	3.839 Ohms A Ph / 3.085 Ohms B Ph	Pull-Up Torque:	0.75 LB-FT
Temp. Rise @ Rated Load:	80 C	Locked-Rotor Torque:	1.1 LB-FT
Temp. Rise @ S.F. Load:	91 C	Starting Current:	35.0 Amps

Load Characteristics							
% of Rated Load	25	50	75	100	125	150	S.F.
Power Factor:	86.0	92.0	94.0	95.0	95.0	95.0	95.0
Efficiency:	47.4	65.5	72.2	74.3	74.0	71.0	74.1
Speed:	1779.0	1762.0	1742.0	1717.0	1693.0	1657.0	1703.0
Line Amperes:	3.1	4.14	5.48	7.08	8.56	10.64	7.97

Performance Graph at 115V, 60Hz, 0.75HP Typical performance - Not guaranteed values





CUSTOMER IS RESPONSIBLE FOR DETERMINING THAT MOTOR PERFORMANCE IS SUITABLE IN THE APPLICATION.

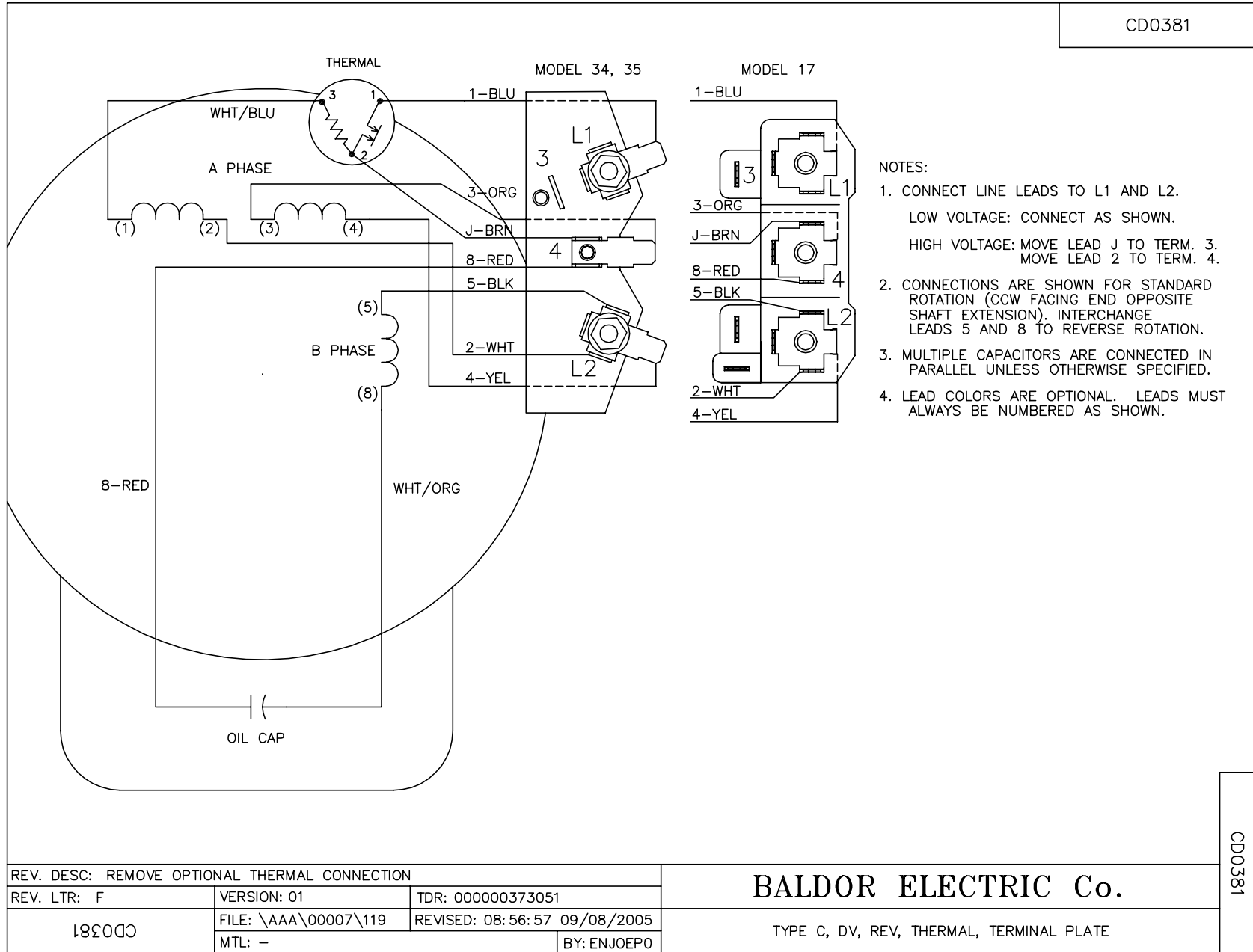
REV. DESC: CHANGED TITLE BLOCK TO READ 56 PER J. MALINOWSKI		
REV. LTR: A	VERSION: 01	TDR: 000000398838
17LYK045	FILE: \AAA\00082\676	REVISED: 08:34:48 06/08/2006
	MTL: -	BY: ENTERDO

BALDOR ELECTRIC Co.

RESIL 17C NEMA 56 TEAO W/EXT T'BOLTS & "V" = 3.00

17LYK045

CD0381



CD0381

REV. DESC: REMOVE OPTIONAL THERMAL CONNECTION		
REV. LTR: F	VERSION: 01	TDR: 000000373051
182000	FILE: \AAA\00007\119	REVISED: 08:56:57 09/08/2005
	MTL: -	BY: ENJOEPO

BALDOR ELECTRIC Co.

TYPE C, DV, REV, THERMAL, TERMINAL PLATE