

# **BALDOR**® • **RELIANCE**

## **Product Information Packet**

# **CHM345A**

**.5HP, 1725RPM, 3PH, 60HZ, 56Z, 1716M, TEAO, F1**

Copyright © All product information within this document is subject to Baldor Electric Company copyright © protection, unless otherwise noted.

Part Detail							
Revision:	T	Status:	PRD/A	Change #:		Proprietary:	No
Type:	AC	Prod. Type:	1716M	Elec. Spec:	17WGW380	CD Diagram:	
Enclosure:	TEAO	Mfg Plant:		Mech. Spec:	17K039	Layout:	
Frame:	56Z	Mounting:	F1	Poles:	04	Created Date:	
Base:	RS	Rotation:	R	Insulation:	B	Eff. Date:	06-25-2012
Leads:	12#18	Literature:		Elec. Diagram:		Replaced By:	
Nameplate NP1203A27							
CAT.NO.	CHM345A	ENCL			TEAO		
SPEC.	17K039W380	FRAME			56Z		
HP	.5 AIR OVER						
VOLTS	230/460						
AMPS	1.9/0.95						
RPM	1725						
HZ	60	PH		3	CL		B
SER.F.	1.25	DES		B	CODE		K
FL EFF	72	PF		69			
RATING	40C AMB-CONT						
SF AMP	2/1	USABLE AT 208V			2		
SER.							
MANUAL	N	AUTO			Y	NONE	

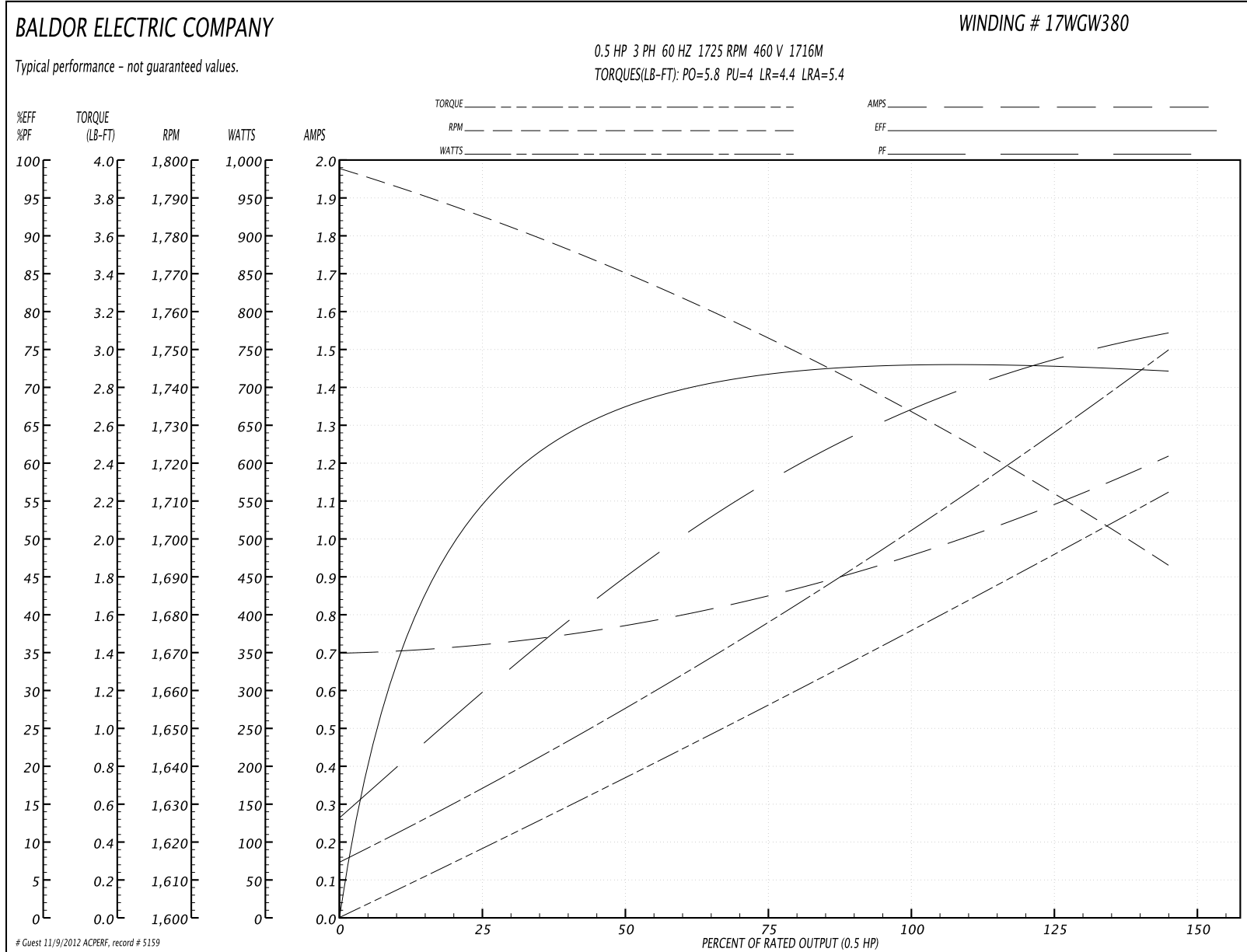
Parts List		
Part Number	Description	Quantity
SA070442	SA 17K039W380	1.000 EA
RA064335	RA 17K039W380	1.000 EA
TPMYJ76KX	THERMAL 3PH 0.75 AUT 120C	1.000 EA
11XT0832G06	8-32 X 3/8 TY 23 TAPPING	1.000 EA
LD5000A52	LEAD ASSY W/INTERNAL STAR RING TERMINALS	1.000 EA
11XT1032A06	10-32 X 3/8 HX WSHR HD SLTD TYPE 23	2.000 EA
51XW0832A07	8-32 X .44, TAPTITE II, HEX WSHR SLTD SE	4.000 EA
RM1000A03SP	CUSHION RING, MDL 17-33-34	1.000 EA
HA6004A01A	CLAMP CUSHION RING ASSY	1.000 EA
34CB4501SP	TERMINAL BOX LID, STAMPED X (PLATED)	1.000 EA
HW5100A03SP	WAVY WASHER (W1543-017)	1.000 EA
17EP3100D01	PU ENDPLATE, MACH W/HUB ENCLOSED	1.000 EA
XY0832A02	8-32 HEX NUT	4.000 EA
RM1000A03SP	CUSHION RING, MDL 17-33-34	1.000 EA
HA6004A01A	CLAMP CUSHION RING ASSY	1.000 EA
34GS1005	GASKET, TERM PLATE LID	1.000 EA
51XW0832A07	8-32 X .44, TAPTITE II, HEX WSHR SLTD SE	2.000 EA
HW2501D13SP	KEY, 3/16 SQ X 1.375	1.000 EA
HA7000A04	KEY RETAINER 0.625 DIA SHAFTS	1.000 EA
17EP3200DT01	FR ENDPLATE, MACH W/HUB	1.000 EA
34BA4003A01A	RESILIENT BASE, (LENGTH 8.22") AUTOPHORE	1.000 EA
SP1042A01	TERM BOARD, MODEL 17 3 PHASE FOR .75" TH	1.000 EA
HA3169A23	THRUBOLT #8-32 THDS X 8.44 LONG	4.000 EA
LB1171	LABEL CARTON 6X6 ON LINE BLANK ROLLS	1.000 EA

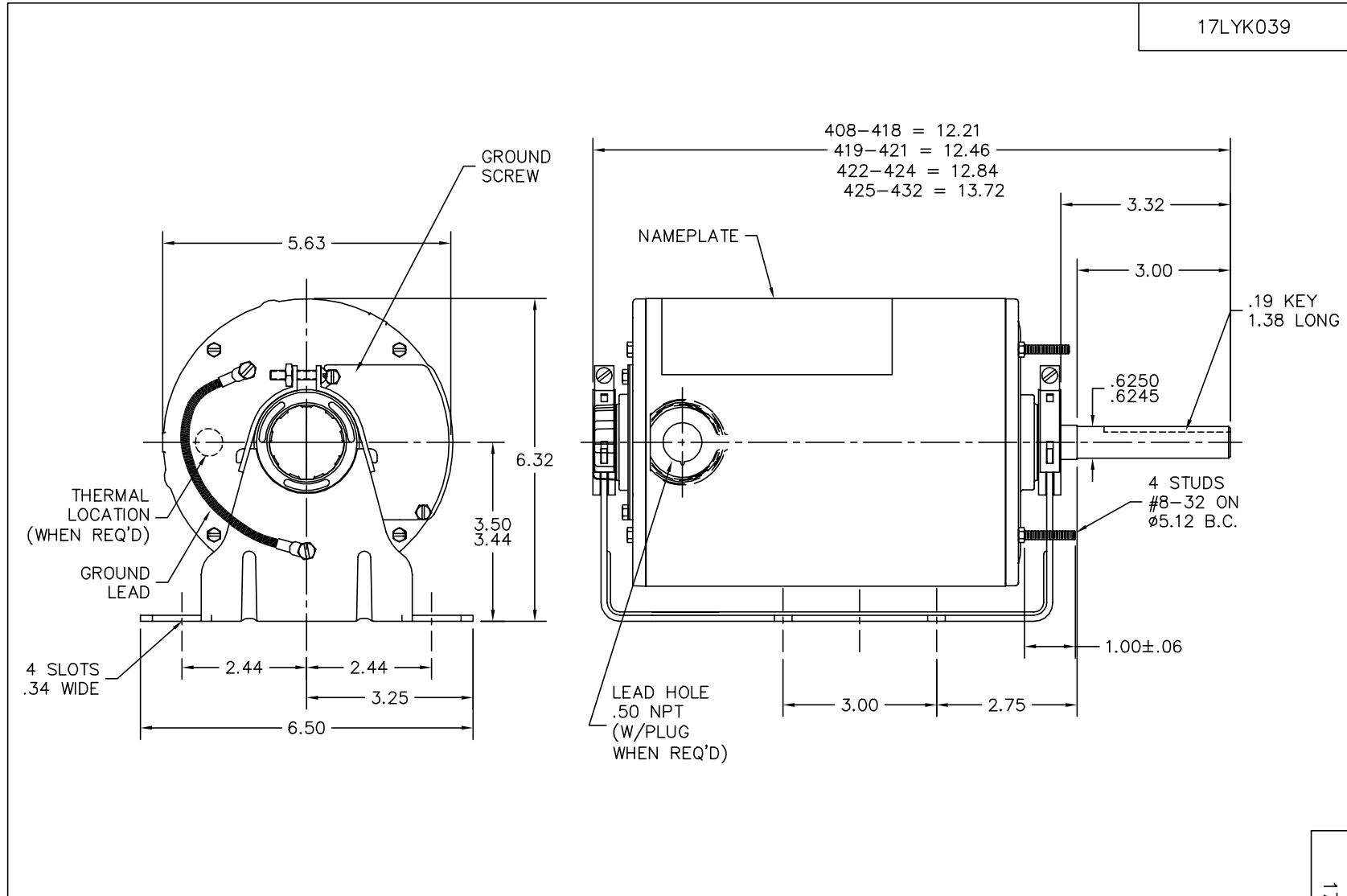
Parts List (continued)		
Part Number	Description	Quantity
LB5040	INSTRUCTION TAG, AC & DC	1.000 EA
MG5017	VARNISH - PDG 2500	0.050 GA
NP1203A27	NP LABEL, 3 PHASE, DV, W/THERMAL, 12 LDS	1.000 EA
34PA1005	PACKING GROUP, BALDOR	1.000 EA
LD5313A01	LEAD ASSY, ML1410B18, 20", DBL STRIPPED	1.000 EA
LD5314A01	LEAD ASSY, ML1411B18, 20", DBL STRIPPED	1.000 EA
LD5315A01	LEAD ASSY, ML1412B18, 20", DBL STRIPPED	1.000 EA

**Performance Data at 460V, 60Hz, 0.5HP (Typical performance - Not guaranteed values)**

General Characteristics							
Full Load Torque:	1.5 LB-FT			Start Configuration:	DOL		
No-Load Current:	0.7 Amps			Break-Down Torque:	5.8 LB-FT		
Line-line Res. @ 25°C.:	41.15 Ohms A Ph / 0.0 Ohms B Ph			Pull-Up Torque:	4.0 LB-FT		
Temp. Rise @ Rated Load:	47 C			Locked-Rotor Torque:	4.4 LB-FT		
Temp. Rise @ S.F. Load:	55 C			Starting Current:	5.4 Amps		
Load Characteristics							
% of Rated Load	25	50	75	100	125	150	S.F.
Power Factor:	30.0	45.0	57.0	67.0	73.0	77.0	73.0
Efficiency:	54.8	67.6	72.3	72.3	73.1	72.1	73.1
Speed:	1785.0	1769.0	1753.0	1734.0	1716.0	1692.0	1716.0
Line Amperes:	0.72	0.77	0.85	0.96	1.07	1.22	1.07

Performance Graph at 460V, 60Hz, 0.5HP Typical performance - Not guaranteed values





CUSTOMER IS RESPONSIBLE FOR DETERMINING THAT MOTOR PERFORMANCE IS SUITABLE IN THE APPLICATION.

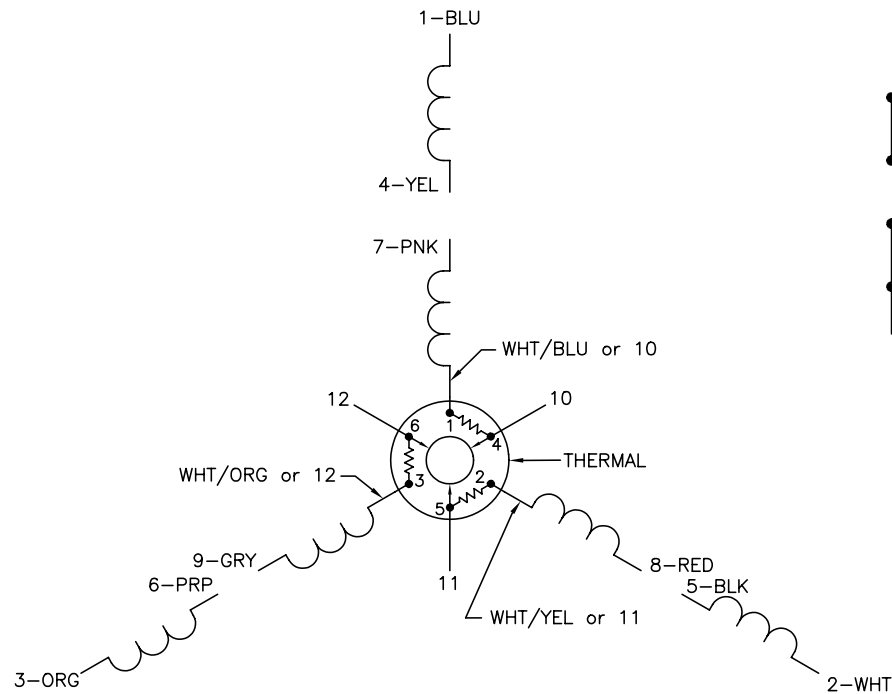
REV. DESC: REMOVED SHAFT GEOMETRY FROM LEFT VIEW OF MOTOR			
REV. LTR: A	BY: TWD	REVISED: 14:08:49 08/21/2003	TDR: 307530
650X171		FILE: AAA00082451	REF: 17LYK039
		MTL: -	

**BALDOR ELECTRIC Co.**

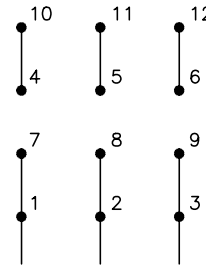
RESIL 17M NEMA 56Z TEAO W/EXT T'BOLTS & "V" = 3.00

17LYK039

CD0007

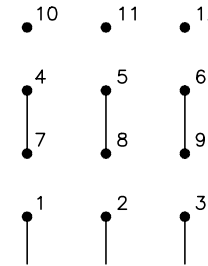


LOW VOLTAGE  
(2Y)



LINE

HIGH VOLTAGE  
(1Y)



LINE

NOTES:

1. INTERCHANGE ANY TWO LINE LEADS TO REVERSE ROTATION.
2. ACTUAL NUMBER OF INTERNAL PARALLEL CIRCUITS MAY VARY.
3. LEAD COLORS ARE OPTIONAL. LEADS MUST ALWAYS BE NUMBERED AS SHOWN.

REV. DESC: ADDED "CK" PLANT CODE			
REV. LTR: E	BY: EAH	REVISED: 05/06/99 17:1	TDR: 0181040
L00000		FILE: AAA00008370	MDL: -
		MTL: -	

**BALDOR ELECTRIC Co.**

3PH, DV, THERMAL, 12 LEADS

CD0007