

BALDOR® • **RELIANCE**

Product Information Packet

CJL1205A

.33HP,3450RPM,1PH,60HZ,56J,3416L,OPEN,F1

Copyright © All product information within this document is subject to Baldor Electric Company copyright © protection, unless otherwise noted.

Part Detail							
Revision:	S	Status:	PRD/A	Change #:		Proprietary:	No
Type:	AC	Prod. Type:	3416L	Elec. Spec:	34WG2534	CD Diagram:	
Enclosure:	OPEN	Mfg Plant:		Mech. Spec:	34F040	Layout:	
Frame:	56J	Mounting:	F1	Poles:	02	Created Date:	
Base:	RG	Rotation:	FOS	Insulation:	B	Eff. Date:	12-21-2011
Leads:	5#18,1#16 #1TH	Literature:		Elec. Diagram:		Replaced By:	

Nameplate NP1257L							
CAT.NO.	CJL1205A						
SPEC.	34F40-2534						
HP	.33						
VOLTS	115/230						
AMP	6.2/3.1						
RPM	3450						
FRAME	56J	HZ	60	PH	1		
SER.F.	1.75	CODE	L	DES	N	CL	B
NEMA-NOM-EFF	58	PF	61				
RATING	40C AMB-CONT						
CC				USABLE AT 208V			
DE	6203	ODE	6203				
ENCL	OPEN	SN					
	SFA 7.6/3.8						

Parts List		
Part Number	Description	Quantity
SA005865	SA 34F40-2534	1.000 EA
RA002611	RA 34F40-2534	1.000 EA
EC1130A02SP	ELEC CAP, 130-156 MFD, 125V, 1.48D X 3.3	1.000 EA
WD4100A01	DP-875 HEYCO PLUG OR 62MP0875 MICRO PLAS	1.000 EA
34CB4501SP	TERMINAL BOX LID, STAMPED X (PLATED)	1.000 EA
51XW0832A07	8-32 X .44, TAPTITE II, HEX WSHR SLTD SE	2.000 EA
11XT0832G06	8-32 X 3/8 TY 23 TAPPING	1.000 EA
51XW0832A07	8-32 X .44, TAPTITE II, HEX WSHR SLTD SE	3.000 EA
34EP3202A20	FR ENDPLATE, 34 OPEN SMALL HUB RESIL LES	1.000 EA
WD4100A04	62MP0687 HOLE PLUG OR DP-687 HEYCO	1.000 EA
NS2500A01	INSULATOR, AUTO THER PROT	1.000 EA
34CB4800SP	CAPACITOR COVER, STAMPED	1.000 EA
51XB1016A05	10-16X5/16HX WA SL SR TYB (F/S)	2.000 EA
HW5100A03SP	WAVY WASHER (W1543-017)	1.000 EA
34EP3401A01SP	PU ENDPLATE, MACH	1.000 EA
34AD2000	BAFFLE PLATE, STAMPED	1.000 EA
51XT0632A06	6-32X3/8 TY23 HXWS SLDSR	4.000 EA
51XN1032A20	10-32 X 1 1/4 HX WS SL SR	2.000 EA
RM1010A01	35-968-1 VINYL CLS	1.000 EA
MG1000G27	PAINT- S9282E CHARCOAL GREY	0.014 GA
LB1009	LABEL,ROTATION DIRECTION (ON ROLLS)	1.000 EA
10XF0440S02	04-40 X 1/8 TYPE F HEX HD STAINLESS STIC	2.000 EA
SP5068A01	34L TERM PANEL STAT SWITCH #E-6"	1.000 EA
HA3100A14	THRUBOLT 10-32 X 7.875	4.000 EA

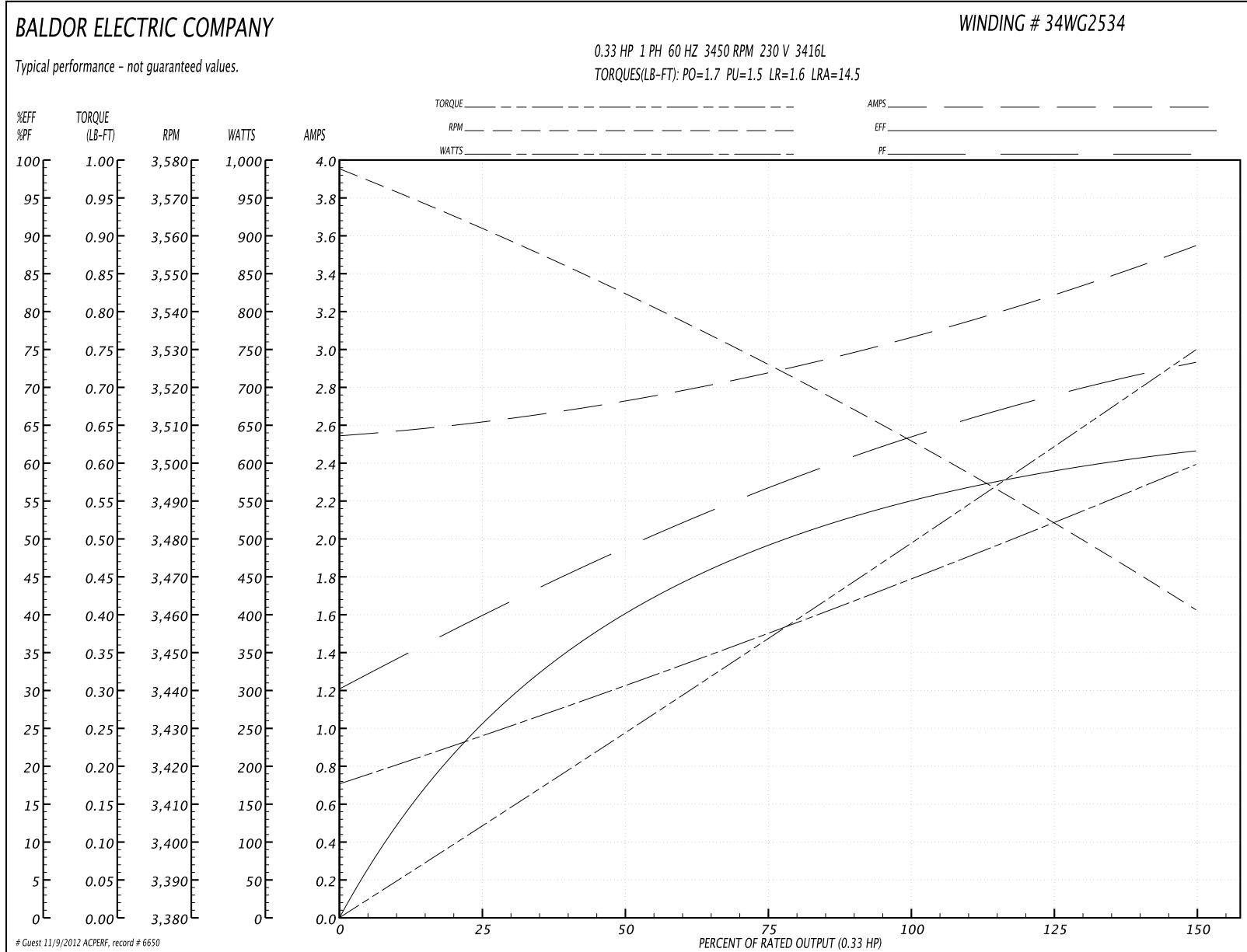
Parts List (continued)		
Part Number	Description	Quantity
LB1118	LABEL,WARNING (ROLL LABEL)	1.000 EA
LB1125C01	STD (STOCK) CARTON LABEL BALDOR WITH FLA	1.000 EA
LC0307	CONNECTION LABEL NAMEPLA. X	1.000 EA
NP1257L	ALUM UL CSA CC THERMAL REV MTG	1.000 EA
34PA1005	PACKING GROUP, BALDOR	1.000 EA

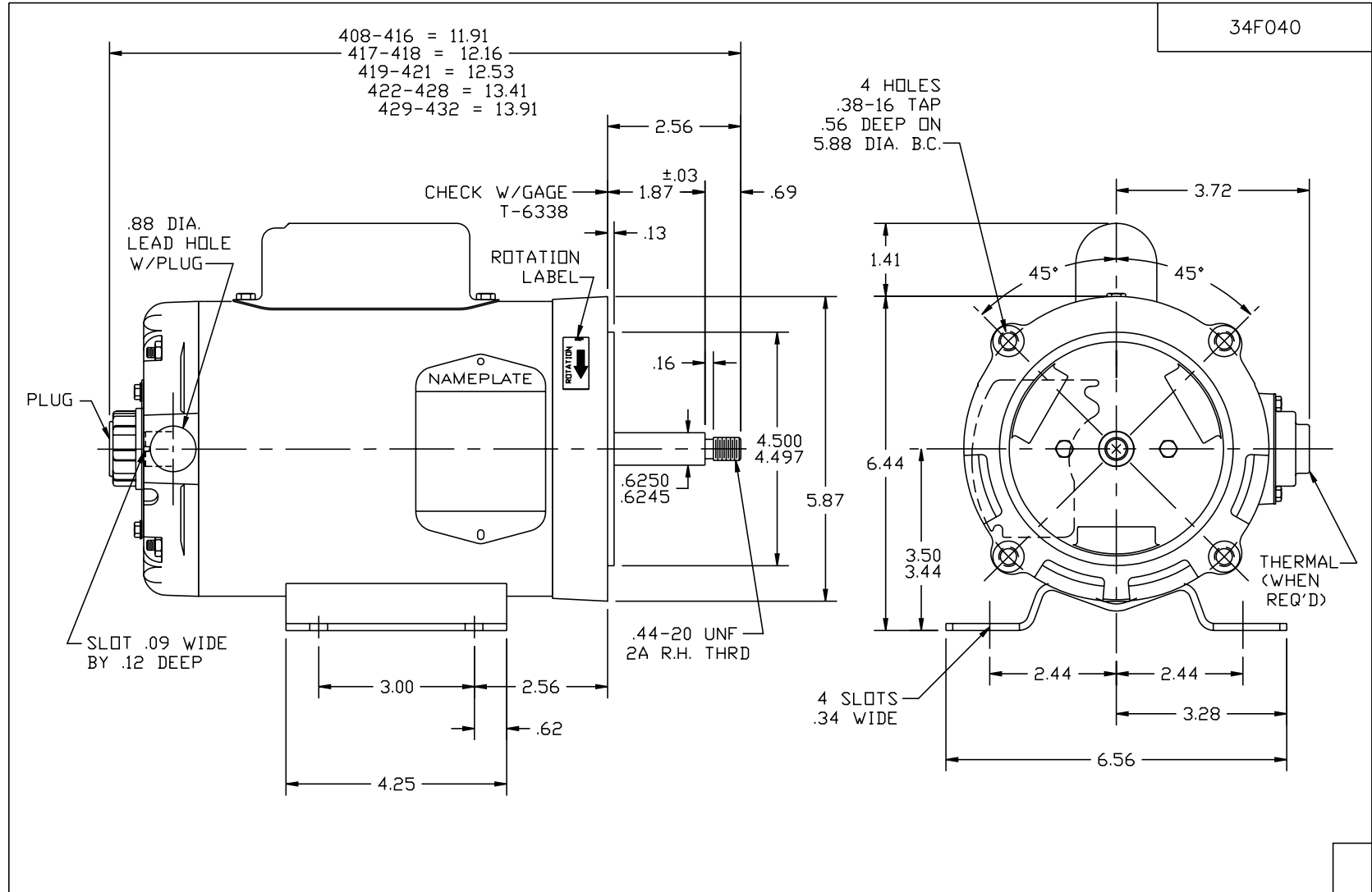
Performance Data at 230V, 60Hz, 0.33HP (Typical performance - Not guaranteed values)

General Characteristics			
Full Load Torque:	0.5 LB-FT	Start Configuration:	DOL
No-Load Current:	2.55 Amps	Break-Down Torque:	1.7 LB-FT
Line-line Res. @ 25°C.:	4.92 Ohms A Ph / 3.95 Ohms B Ph	Pull-Up Torque:	1.5 LB-FT
Temp. Rise @ Rated Load:	31 C	Locked-Rotor Torque:	1.6 LB-FT
Temp. Rise @ S.F. Load:	43 C	Starting Current:	14.5 Amps

Load Characteristics							
% of Rated Load	25	50	75	100	125	150	S.F.
Power Factor:	39.0	48.0	56.0	63.0	69.0	73.0	81.0
Efficiency:	26.0	40.6	49.5	55.3	59.1	61.6	66.7
Speed:	3561.0	3544.0	3525.0	3505.0	3484.0	3461.0	3442.0
Line Amperes:	2.6	2.75	2.9	3.05	3.3	3.55	3.8

Performance Graph at 230V, 60Hz, 0.33HP Typical performance - Not guaranteed values



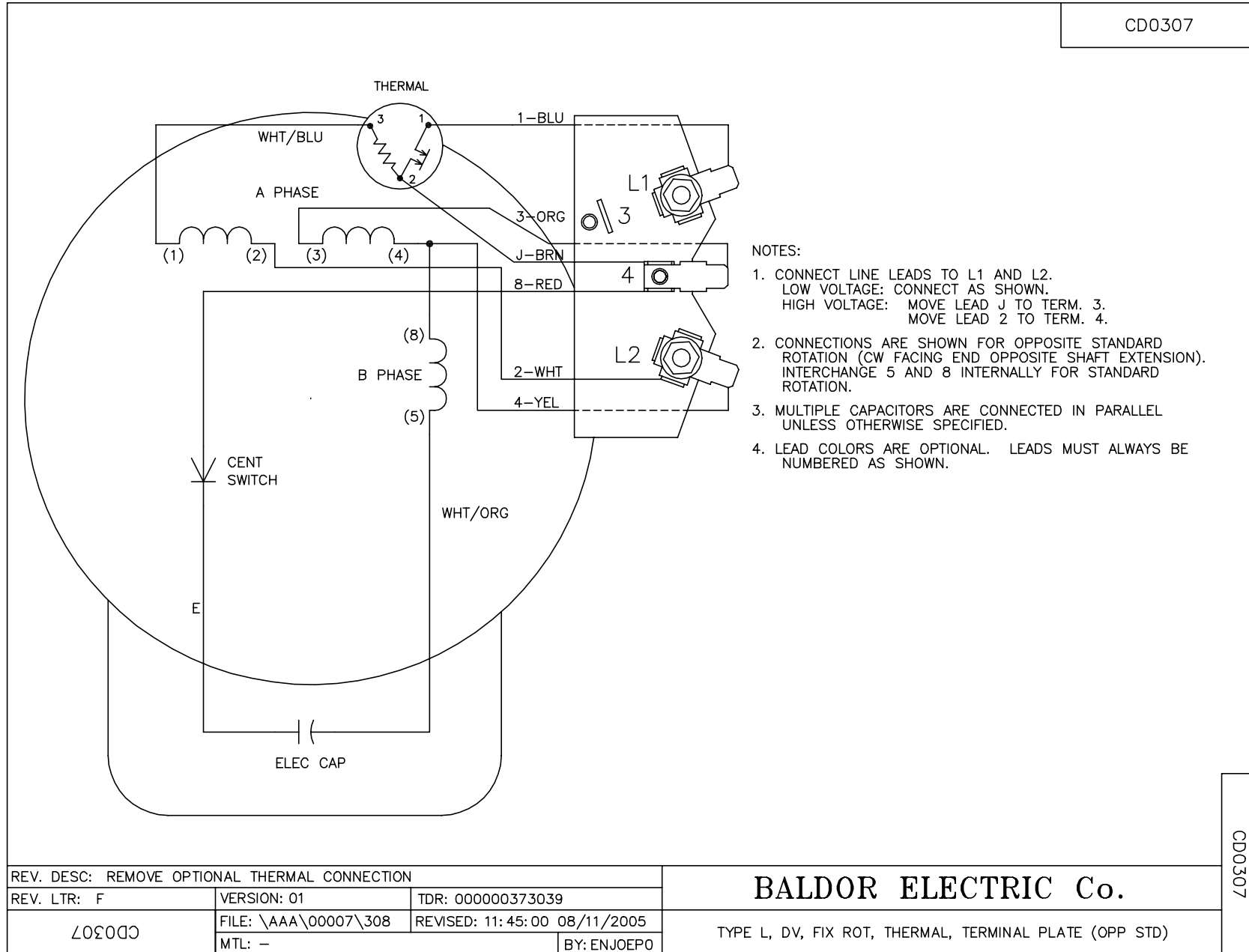


34F040

CUST. NAME		CUST. P.O.		CERTIFIED BY		MODEL		INSUL		AMB	
H.P.		MTG		TYPE		R.P.M.		VOLTS		ENCL	
PHASE		FREQ		FRAME		REMARKS:					
REV: C		MOVED TO ACAD									
34F040		RER: 34F009		BY: MW		REVISED: 01/09/96		<h2>BALDOR ELECTRIC Co.</h2> <p>STD HORZ MODEL 34L NEMA 56J OPEN W/TERM PANEL</p>			
		FILE: AAA00026550		TDR: 0086069							

34F040

CD0307



CD0307

REV. DESC: REMOVE OPTIONAL THERMAL CONNECTION		
REV. LTR: F	VERSION: 01	TDR: 000000373039
CD0307	FILE: \AAA\00007\308	REVISED: 11: 45: 00 08/11/2005
	MTL: -	BY: ENJOEPO

BALDOR ELECTRIC Co.

TYPE L, DV, FIX ROT, THERMAL, TERMINAL PLATE (OPP STD)