

BALDOR® • **RELIANCE**

Product Information Packet

CJL1301A

.33HP, 1725RPM, 1PH, 60HZ, 56J, 3414L, OPEN, F1

Copyright © All product information within this document is subject to Baldor Electric Company copyright © protection, unless otherwise noted.

Part Detail							
Revision:	R	Status:	PRD/A	Change #:		Proprietary:	No
Type:	AC	Prod. Type:	3414L	Elec. Spec:	34WG5599	CD Diagram:	
Enclosure:	OPEN	Mfg Plant:		Mech. Spec:	34F492	Layout:	
Frame:	56J	Mounting:	F1	Poles:	04	Created Date:	
Base:	RG	Rotation:	FOS	Insulation:	B	Eff. Date:	12-02-2011
Leads:	6#18	Literature:	Y	Elec. Diagram:		Replaced By:	

Nameplate NP1257L							
CAT.NO.	CJL1301A						
SPEC.	34F492-5599G1						
HP	.33						
VOLTS	115/230						
AMP	6/3						
RPM	1725						
FRAME	56J	HZ	60	PH	1		
SER.F.	1.35	CODE	L	DES	N	CL	B
NEMA-NOM-EFF	60	PF	60				
RATING	40C AMB-CONT						
CC				USABLE AT 208V	N/A		
DE	6203	ODE	6203				
ENCL	OPEN	SN					
	SFA 6.8/3.4						

Parts List		
Part Number	Description	Quantity
SA010316	SA 34F492-5599G1	1.000 EA
RA006707	RA 34F492-5599G1	1.000 EA
TPMRG55BV	THERMAL 1PH 0.75 AUT 105C	1.000 EA
EC1189A02SP	61B2D120189NNBA ELEC CAP, 189-227MFD, 12	1.000 EA
51XW0832A07	8-32 X .44, TAPTITE II, HEX WSHR SLTD SE	3.000 EA
11XT0832G06	8-32 X 3/8 TY 23 TAPPING	1.000 EA
WD4100A01	DP-875 HEYCO PLUG OR 62MP0875 MICRO PLAS	1.000 EA
NS2500A01	INSULATOR, AUTO THER PROT	1.000 EA
34CB4800SP	CAPACITOR COVER, STAMPED	1.000 EA
51XB1016A05	10-16X5/16HX WA SL SR TYB (F/S)	2.000 EA
HW5100A03SP	WAVY WASHER (W1543-017)	1.000 EA
34EP3401A01SP	PU ENDPLATE, MACH	1.000 EA
34AD2000	BAFFLE PLATE, STAMPED	1.000 EA
51XT0632A06	6-32X3/8 TY23 HXWS SLDSR	4.000 EA
51XN1032A20	10-32 X 1 1/4 HX WS SL SR	2.000 EA
34FH4500A02P	DRIPCOVER, MODEL 34	1.000 EA
51XW0832A07	8-32 X .44, TAPTITE II, HEX WSHR SLTD SE	2.000 EA
34CB4501SP	TERMINAL BOX LID, STAMPED X (PLATED)	1.000 EA
51XW0832A07	8-32 X .44, TAPTITE II, HEX WSHR SLTD SE	2.000 EA
RM1010A01	35-968-1 VINYL CLS	1.000 EA
34EP3202A02	FR ENDPLATE, MACH	1.000 EA
HA6001A03	THERMAL RETAINER (PLATED)	1.000 EA
NS2500A01	INSULATOR, AUTO THER PROT	1.000 EA
60XW0632A06	6-32 X 3/8 TORX HEAD SCREW TAPTITE II	2.000 EA

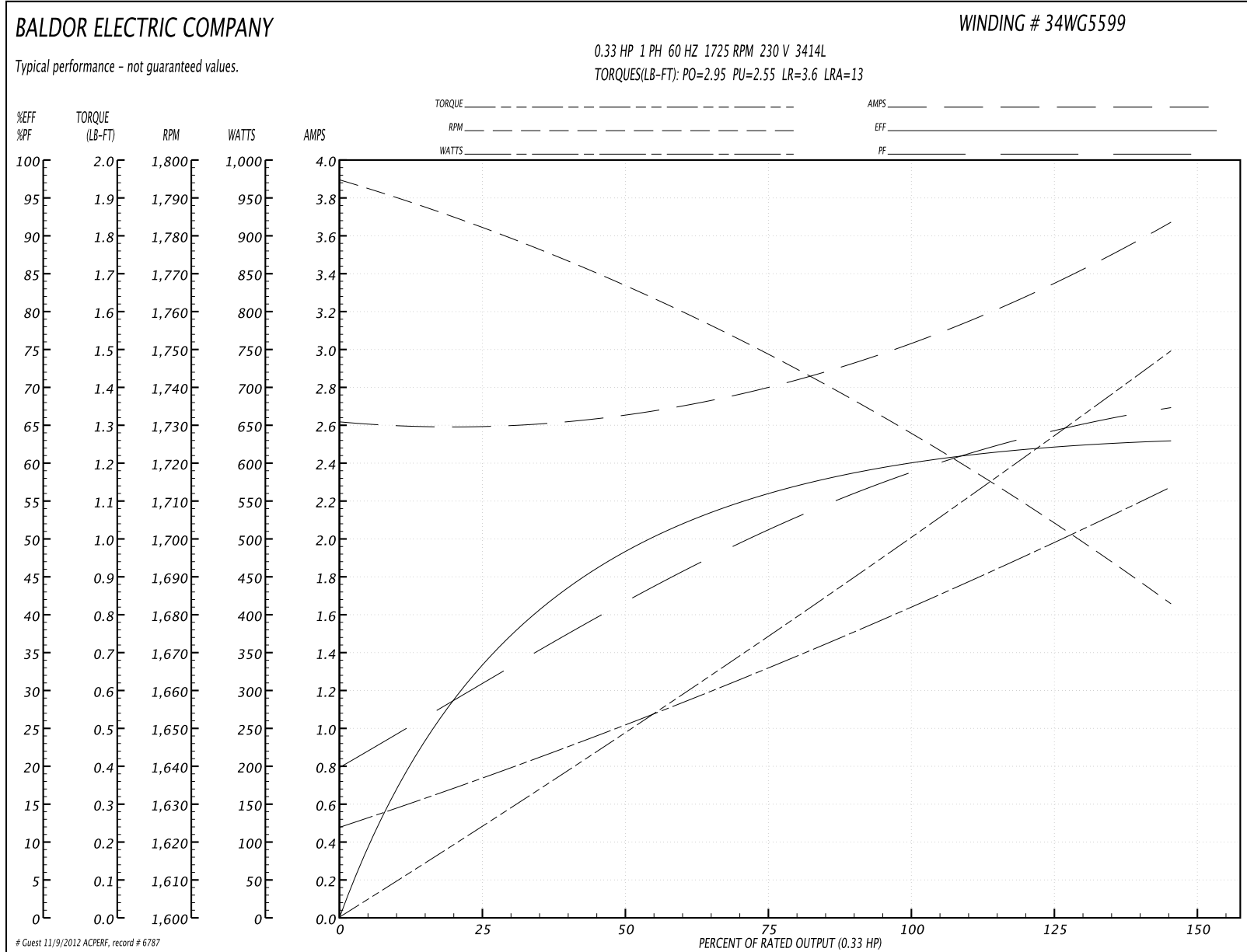
Parts List (continued)		
Part Number	Description	Quantity
MG1000G27	PAINT- S9282E CHARCOAL GREY	0.014 GA
10XF0440S02	04-40 X 1/8 TYPE F HEX HD STAINLESS STIC	2.000 EA
LB1009	LABEL,ROTATION DIRECTION (ON ROLLS)	1.000 EA
SP5086A01	MODEL 34 TERMINAL PANEL SWITCH WITH LEAD	1.000 EA
HA3100A14	THRUBOLT 10-32 X 7.875	4.000 EA
LB5040	INSTRUCTION TAG, AC & DC	1.000 EA
LB1118	LABEL,WARNING (ROLL LABEL)	1.000 EA
LB1125C01	STD (STOCK) CARTON LABEL BALDOR WITH FLA	1.000 EA
LC0307	CONNECTION LABEL NAMEPLA. X	1.000 EA
NP1257L	ALUM UL CSA CC THERMAL REV MTG	1.000 EA
34PA1005	PACKING GROUP, BALDOR	1.000 EA

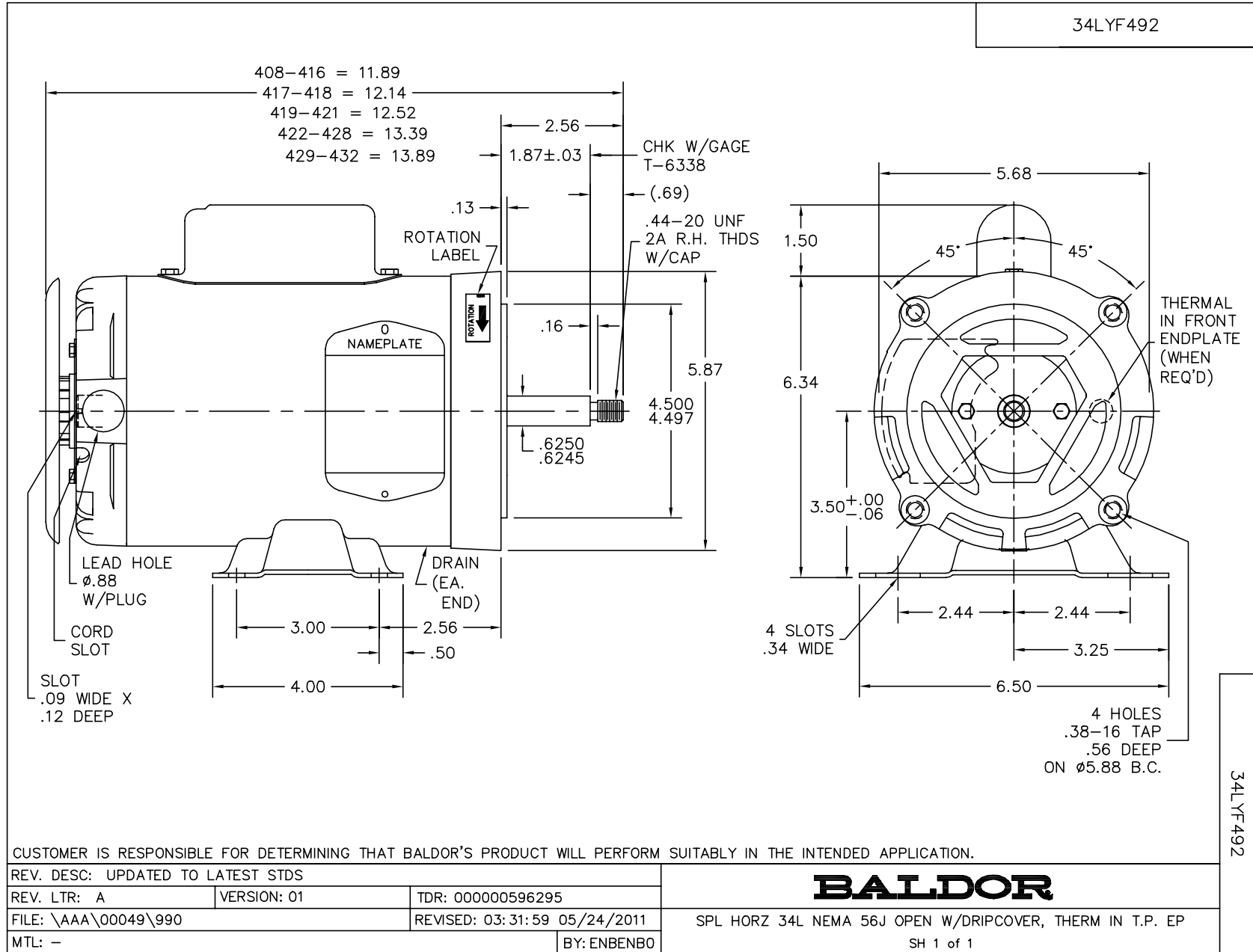
Performance Data at 230V, 60Hz, 0.33HP (Typical performance - Not guaranteed values)

General Characteristics			
Full Load Torque:	1.0 LB-FT	Start Configuration:	DOL
No-Load Current:	2.6 Amps	Break-Down Torque:	2.95 LB-FT
Line-line Res. @ 25°C.:	6.32 Ohms A Ph / 4.93 Ohms B Ph	Pull-Up Torque:	2.55 LB-FT
Temp. Rise @ Rated Load:	43 C	Locked-Rotor Torque:	3.6 LB-FT
Temp. Rise @ S.F. Load:	53 C	Starting Current:	13.0 Amps

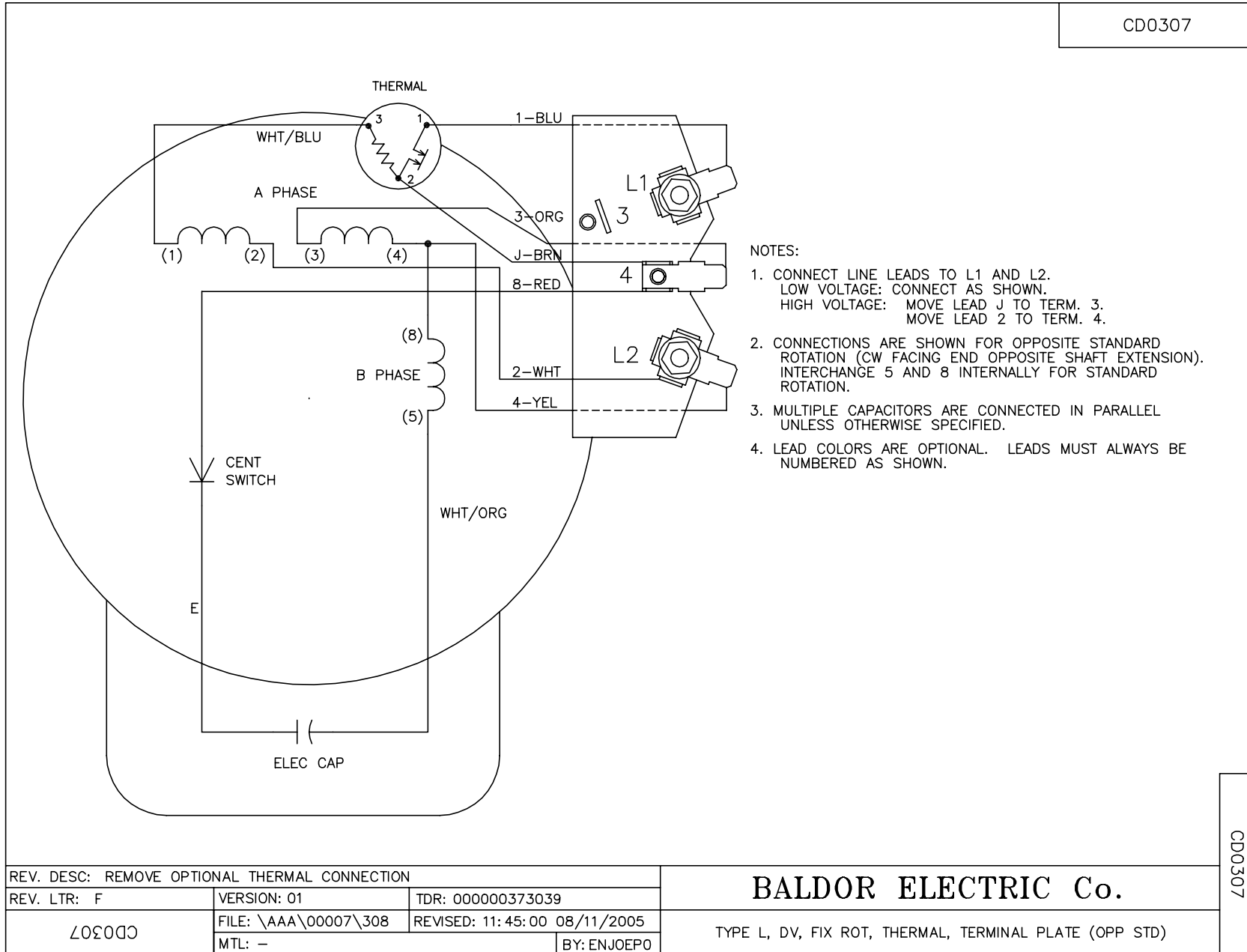
Load Characteristics							
% of Rated Load	25	50	75	100	125	150	S.F.
Power Factor:	31.0	41.0	51.0	60.0	66.0	72.0	70.0
Efficiency:	34.0	49.0	56.0	60.0	62.0	63.0	63.0
Speed:	1783.0	1765.0	1745.0	1730.0	1710.0	1680.0	1695.0
Line Amperes:	2.6	2.7	2.8	3.0	3.3	3.7	3.4

Performance Graph at 230V, 60Hz, 0.33HP Typical performance - Not guaranteed values





CD0307



- NOTES:
1. CONNECT LINE LEADS TO L1 AND L2.
LOW VOLTAGE: CONNECT AS SHOWN.
HIGH VOLTAGE: MOVE LEAD J TO TERM. 3.
MOVE LEAD 2 TO TERM. 4.
 2. CONNECTIONS ARE SHOWN FOR OPPOSITE STANDARD ROTATION (CW FACING END OPPOSITE SHAFT EXTENSION). INTERCHANGE 5 AND 8 INTERNALLY FOR STANDARD ROTATION.
 3. MULTIPLE CAPACITORS ARE CONNECTED IN PARALLEL UNLESS OTHERWISE SPECIFIED.
 4. LEAD COLORS ARE OPTIONAL. LEADS MUST ALWAYS BE NUMBERED AS SHOWN.

CD0307

REV. DESC: REMOVE OPTIONAL THERMAL CONNECTION		
REV. LTR: F	VERSION: 01	TDR: 000000373039
CD0307	FILE: \AAA\00007\308	REVISED: 11: 45: 00 08/11/2005
	MTL: -	BY: ENJOEPO

BALDOR ELECTRIC Co.

TYPE L, DV, FIX ROT, THERMAL, TERMINAL PLATE (OPP STD)