

BALDOR® • RELIANCE

Product Information Packet

CJL1303A

.5HP,3450RPM,1PH,60HZ,56J,3420L,OPEN,F1

Copyright © All product information within this document is subject to Baldor Electric Company copyright © protection, unless otherwise noted.

Part Detail							
Revision:	V	Status:	PRD/A	Change #:		Proprietary:	No
Type:	AC	Prod. Type:	3420L	Elec. Spec:	34WG2413	CD Diagram:	
Enclosure:	OPEN	Mfg Plant:		Mech. Spec:	34F492	Layout:	
Frame:	56J	Mounting:	F1	Poles:	02	Created Date:	
Base:	RG	Rotation:	FOS	Insulation:	B	Eff. Date:	12-02-2011
Leads:	5#18,1#16 #1TH	Literature:		Elec. Diagram:		Replaced By:	

Nameplate NP1257L

CAT.NO.	CJL1303A						
SPEC.	34F492-2413G1						
HP	.5						
VOLTS	115/230						
AMP	7.4/3.7						
RPM	3450						
FRAME	56J	HZ	60	PH	1		
SER.F.	1.60	CODE	L	DES	N	CL	B
NEMA-NOM-EFF	66	PF	67				
RATING	40C AMB-CONT						
CC	USABLE AT 208V						
DE	6203	ODE	6203				
ENCL	OPEN	SN					
	SFA 9.4/4.7						

Parts List		
Part Number	Description	Quantity
SA010331	SA 34F492-2413G1	1.000 EA
RA006719	RA 34F492-2413G1	1.000 EA
TPMRJ30RX	THERMAL 1PH 0.75 AUT 120C	1.000 EA
EC1189A02SP	61B2D120189NNBA ELEC CAP, 189-227MFD, 12	1.000 EA
51XW0832A07	8-32 X .44, TAPTITE II, HEX WSHR SLTD SE	3.000 EA
11XT0832G06	8-32 X 3/8 TY 23 TAPPING	1.000 EA
WD4100A01	DP-875 HEYCO PLUG OR 62MP0875 MICRO PLAS	1.000 EA
NS2500A01	INSULATOR, AUTO THER PROT	1.000 EA
34CB4800SP	CAPACITOR COVER, STAMPED	1.000 EA
51XB1016A05	10-16X5/16HX WA SL SR TYB (F/S)	2.000 EA
HW5100A03SP	WAVY WASHER (W1543-017)	1.000 EA
34EP3401A01SP	PU ENDPLATE, MACH	1.000 EA
34AD2000	BAFFLE PLATE, STAMPED	1.000 EA
51XT0632A06	6-32X3/8 TY23 HXWS SLDSR	4.000 EA
51XN1032A20	10-32 X 1 1/4 HX WS SL SR	2.000 EA
34FH4500A02P	DRIPCOVER, MODEL 34	1.000 EA
51XW0832A07	8-32 X .44, TAPTITE II, HEX WSHR SLTD SE	2.000 EA
34CB4501SP	TERMINAL BOX LID, STAMPED X (PLATED)	1.000 EA
51XW0832A07	8-32 X .44, TAPTITE II, HEX WSHR SLTD SE	2.000 EA
RM1010A01	35-968-1 VINYL CLS	1.000 EA
WD1000A16	2-520128-2 AMP FLAG TERMINAL(4M/RL)	7.000 EA
34EP3202A02	FR ENDPLATE, MACH	1.000 EA
HA6001A03	THERMAL RETAINER (PLATED)	1.000 EA
NS2500A01	INSULATOR, AUTO THER PROT	1.000 EA

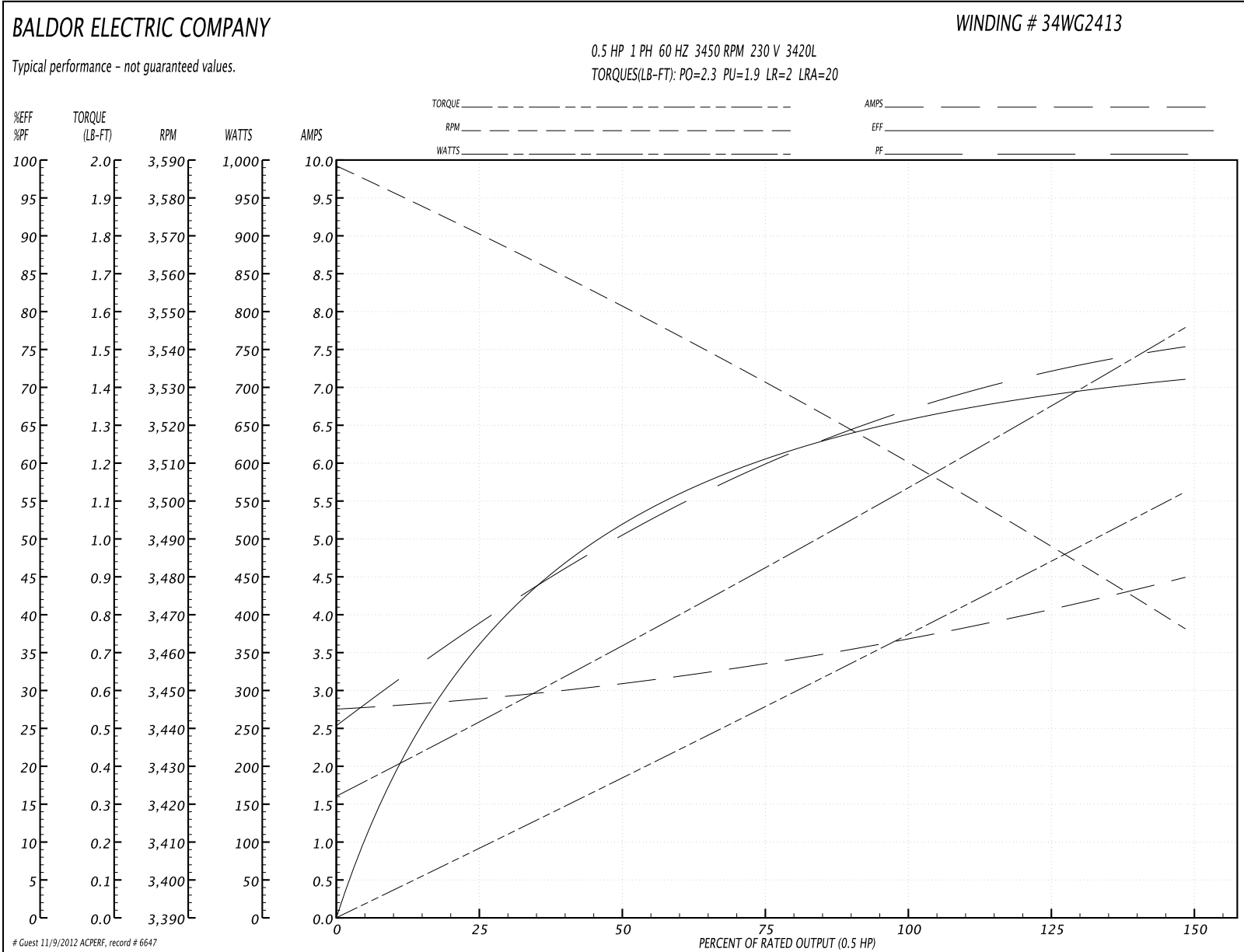
Parts List (continued)		
Part Number	Description	Quantity
51XT0632A06	6-32X3/8 TY23 HXWS SLDSR	2.000 EA
MG1000G27	PAINT- S9282E CHARCOAL GREY	0.014 GA
10XF0440S02	04-40 X 1/8 TYPE F HEX HD STAINLESS STIC	2.000 EA
LB1009	LABEL,ROTATION DIRECTION (ON ROLLS)	1.000 EA
SP5086A01	MODEL 34 TERMINAL PANEL SWITCH WITH LEAD	1.000 EA
HA3100A37	THRUBOLT 10-32 X 8.500	4.000 EA
LB5040	INSTRUCTION TAG, AC & DC	1.000 EA
LB1118	LABEL,WARNING (ROLL LABEL)	1.000 EA
LB1125C01	STD (STOCK) CARTON LABEL BALDOR WITH FLA	1.000 EA
LC0307	CONNECTION LABEL NAMEPLA. X	1.000 EA
NP1257L	ALUM UL CSA CC THERMAL REV MTG	1.000 EA
34PA1005	PACKING GROUP, BALDOR	1.000 EA

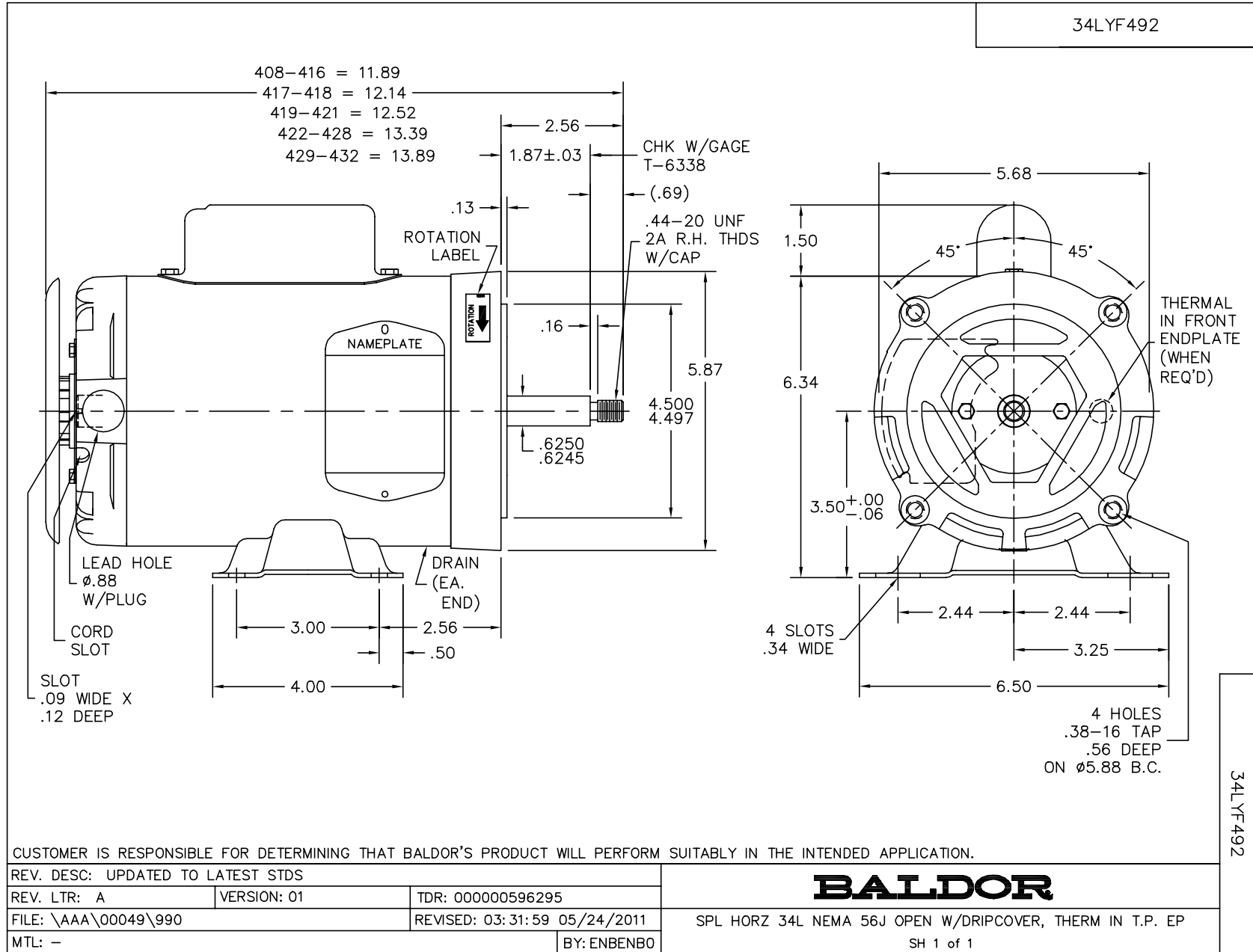
Performance Data at 230V, 60Hz, 0.5HP (Typical performance - Not guaranteed values)

General Characteristics			
Full Load Torque:	0.75 LB-FT	Start Configuration:	DOL
No-Load Current:	2.75 Amps	Break-Down Torque:	2.3 LB-FT
Line-line Res. @ 25°C.:	3.55 Ohms A Ph / 2.56 Ohms B Ph	Pull-Up Torque:	1.9 LB-FT
Temp. Rise @ Rated Load:	33 C	Locked-Rotor Torque:	2.0 LB-FT
Temp. Rise @ S.F. Load:	53 C	Starting Current:	20.0 Amps

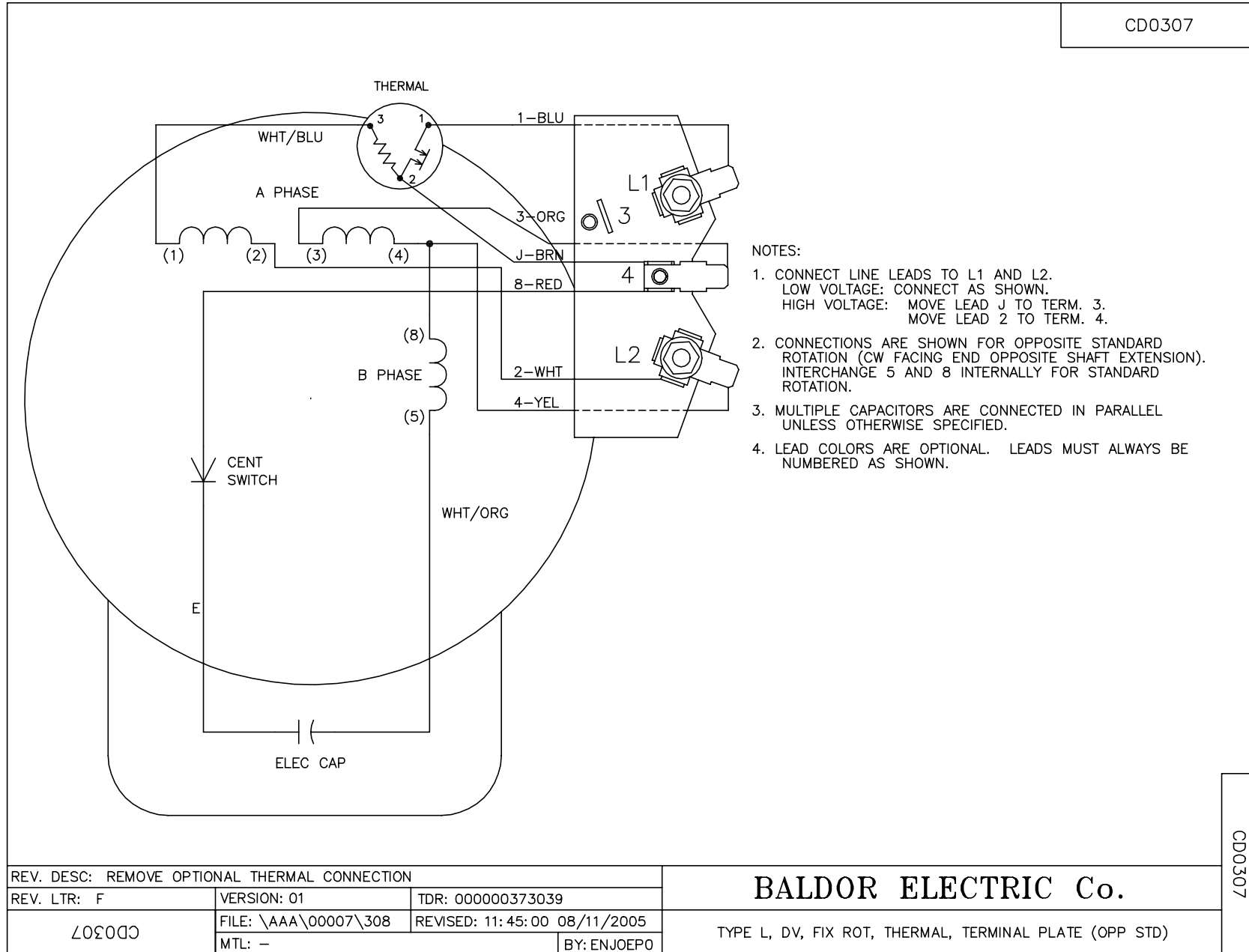
Load Characteristics							
% of Rated Load	25	50	75	100	125	150	S.F.
Power Factor:	38.0	50.0	60.0	67.0	73.0	77.0	78.0
Efficiency:	36.0	52.0	61.0	66.0	69.0	71.0	71.0
Speed:	3570.0	3550.0	3530.0	3511.0	3490.0	3465.0	3460.0
Line Amperes:	2.9	3.1	3.35	3.7	4.05	4.5	4.7

Performance Graph at 230V, 60Hz, 0.5HP Typical performance - Not guaranteed values





CD0307



CD0307

REV. DESC: REMOVE OPTIONAL THERMAL CONNECTION		
REV. LTR: F	VERSION: 01	TDR: 000000373039
CD0307	FILE: \AAA\00007\308	REVISED: 11: 45: 00 08/11/2005
	MTL: -	BY: ENJOEPO

BALDOR ELECTRIC Co.

TYPE L, DV, FIX ROT, THERMAL, TERMINAL PLATE (OPP STD)