

BALDOR® • RELIANCE

Product Information Packet

CJL1304A

.5HP, 1725RPM, 1PH, 60HZ, 56J, 3418L, OPEN, F1

Copyright © All product information within this document is subject to Baldor Electric Company copyright © protection, unless otherwise noted.

Part Detail							
Revision:	Z	Status:	PRD/A	Change #:		Proprietary:	No
Type:	AC	Prod. Type:	3418L	Elec. Spec:	34WG5595	CD Diagram:	
Enclosure:	OPEN	Mfg Plant:		Mech. Spec:	34F030	Layout:	
Frame:	56J	Mounting:	F1	Poles:	04	Created Date:	
Base:	RG	Rotation:	FOS	Insulation:	B	Eff. Date:	12-21-2011
Leads:	5#18,1#16 #1TH	Literature:		Elec. Diagram:		Replaced By:	

Nameplate NP1257L

CAT.NO.	CJL1304A						
SPEC.	34F30-5595						
HP	.5						
VOLTS	115/230						
AMP	8.4/4.2						
RPM	1725						
FRAME	56J	HZ	60	PH	1		
SER.F.	1.25	CODE	K	DES	N	CL	B
NEMA-NOM-EFF	62	PF	62				
RATING	40C AMB-CONT						
CC	USABLE AT 208V			4.8			
DE	6203	ODE	6203				
ENCL	OPEN	SN					
	SFA 9.2/4.6						

Parts List		
Part Number	Description	Quantity
SA005848	SA 34F30-5595	1.000 EA
RA002594	RA 34F30-5595	1.000 EA
EC1270A02SP	ELEC CAP, 270-324 MFD, 125V, 1.48D X 3.	1.000 EA
34EP3202A02	FR ENDPLATE, MACH	1.000 EA
51XW0832A07	8-32 X .44, TAPTITE II, HEX WSHR SLTD SE	3.000 EA
11XT0832G06	8-32 X 3/8 TY 23 TAPPING	1.000 EA
NS2500A01	INSULATOR, AUTO THER PROT	1.000 EA
34CB4800SP	CAPACITOR COVER, STAMPED	1.000 EA
51XB1016A05	10-16X5/16HX WA SL SR TYB (F/S)	2.000 EA
HW5100A03SP	WAVY WASHER (W1543-017)	1.000 EA
34EP3401A01SP	PU ENDPLATE, MACH	1.000 EA
34AD2000	BAFFLE PLATE, STAMPED	1.000 EA
51XT0632A06	6-32X3/8 TY23 HXWS SLDSR	4.000 EA
51XN1032A20	10-32 X 1 1/4 HX WS SL SR	2.000 EA
34FH4500A02P	DRIPCOVER, MODEL 34	1.000 EA
51XW0832A07	8-32 X .44, TAPTITE II, HEX WSHR SLTD SE	2.000 EA
34CB4501SP	TERMINAL BOX LID, STAMPED X (PLATED)	1.000 EA
51XW0832A07	8-32 X .44, TAPTITE II, HEX WSHR SLTD SE	2.000 EA
RM1010A01	35-968-1 VINYL CLS	1.000 EA
MG1000G27	PAINT- S9282E CHARCOAL GREY	0.014 GA
10XF0440S02	04-40 X 1/8 TYPE F HEX HD STAINLESS STIC	2.000 EA
LB1009	LABEL,ROTATION DIRECTION (ON ROLLS)	1.000 EA
SP5068A01	34L TERM PANEL STAT SWITCH #E-6"	1.000 EA
HA3100A28	THRUBOLT 10-32 X 8.187	4.000 EA

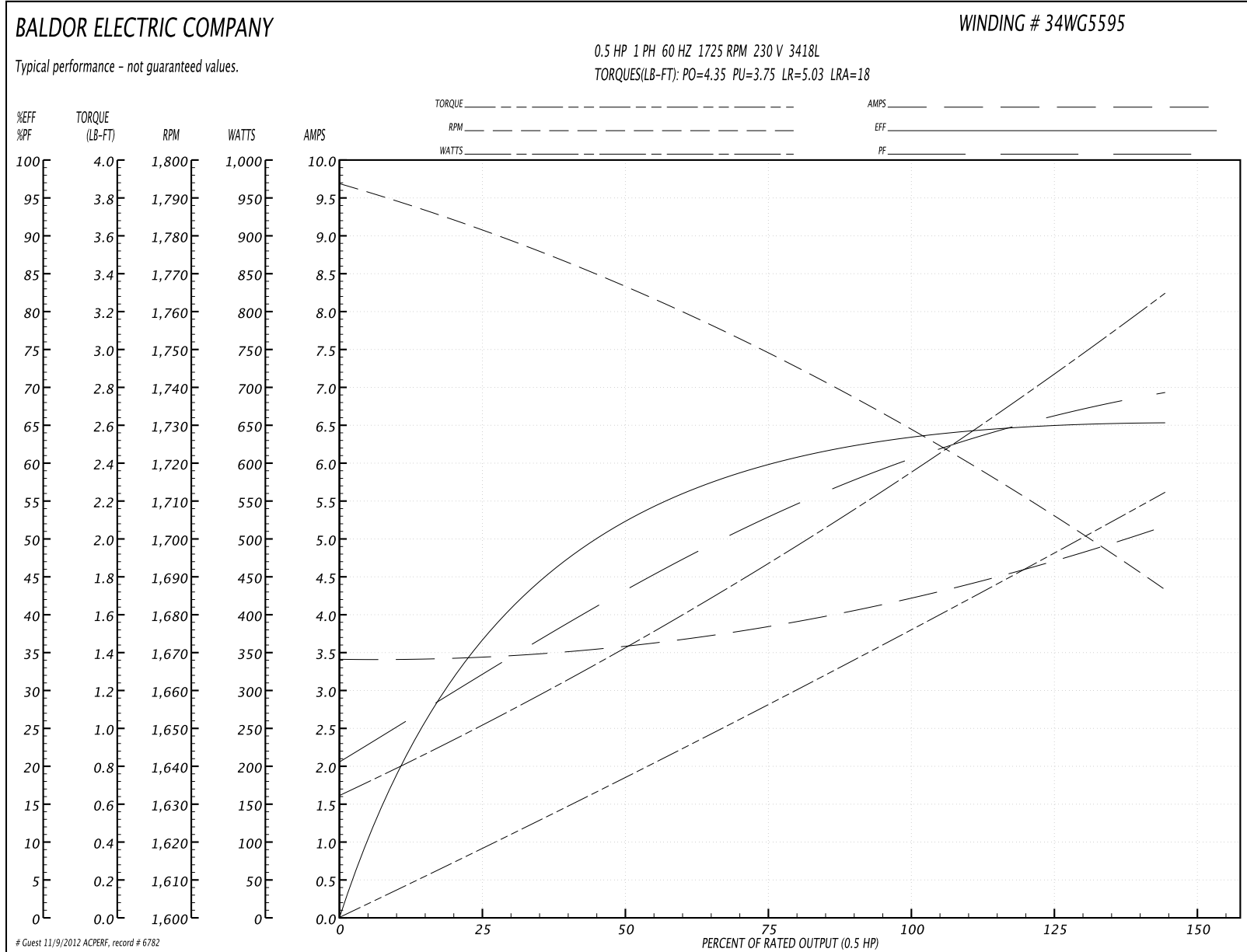
Parts List (continued)		
Part Number	Description	Quantity
LB1118	LABEL,WARNING (ROLL LABEL)	1.000 EA
LB1125C01	STD (STOCK) CARTON LABEL BALDOR WITH FLA	1.000 EA
LC0307	CONNECTION LABEL NAMEPLA. X	1.000 EA
NP1257L	ALUM UL CSA CC THERMAL REV MTG	1.000 EA
34PA1002	PACKING GROUP, BALDOR	1.000 EA
PK3083T	STYROFOAM PACKING CRADLE W/TAPE	1.000 EA

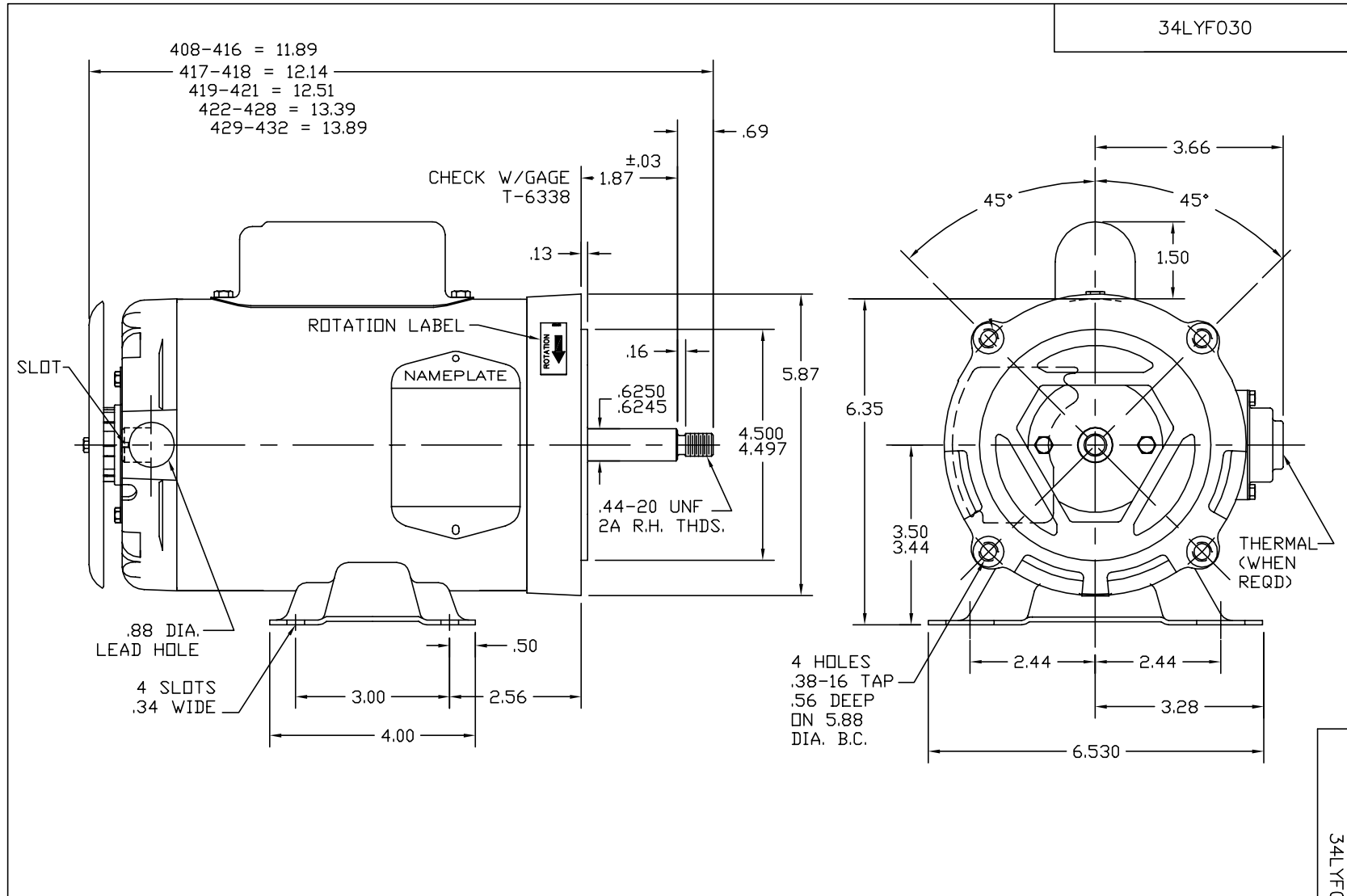
Performance Data at 230V, 60Hz, 0.5HP (Typical performance - Not guaranteed values)

General Characteristics			
Full Load Torque:	1.5 LB-FT	Start Configuration:	DOL
No-Load Current:	3.4 Amps	Break-Down Torque:	4.35 LB-FT
Line-line Res. @ 25°C.:	4.24 Ohms A Ph / 3.24 Ohms B Ph	Pull-Up Torque:	3.75 LB-FT
Temp. Rise @ Rated Load:	66 C	Locked-Rotor Torque:	5.03 LB-FT
Temp. Rise @ S.F. Load:	78 C	Starting Current:	18.0 Amps

Load Characteristics							
% of Rated Load	25	50	75	100	125	150	S.F.
Power Factor:	30.0	42.0	53.0	62.0	69.0	77.0	69.0
Efficiency:	36.0	52.0	60.0	64.0	65.0	65.0	65.0
Speed:	1780.0	1765.0	1750.0	1730.0	1711.0	1685.0	1711.0
Line Amperes:	3.45	3.6	3.85	4.2	4.6	5.2	4.6

Performance Graph at 230V, 60Hz, 0.5HP Typical performance - Not guaranteed values





CUSTOMER IS RESPONSIBLE FOR DETERMINING THAT BALDOR'S PRODUCT WILL PERFORM SUITABLY IN THE INTENDED APPLICATION.

REV. DESC: UPDATE LAYOUT		
REV. LTR: F	VERSION: 01	TDR: 000000585946
FILE: \AAA\00007\738		REVISED: 01:55:31 03/18/2011
MTL: -		BY: ENROSTO

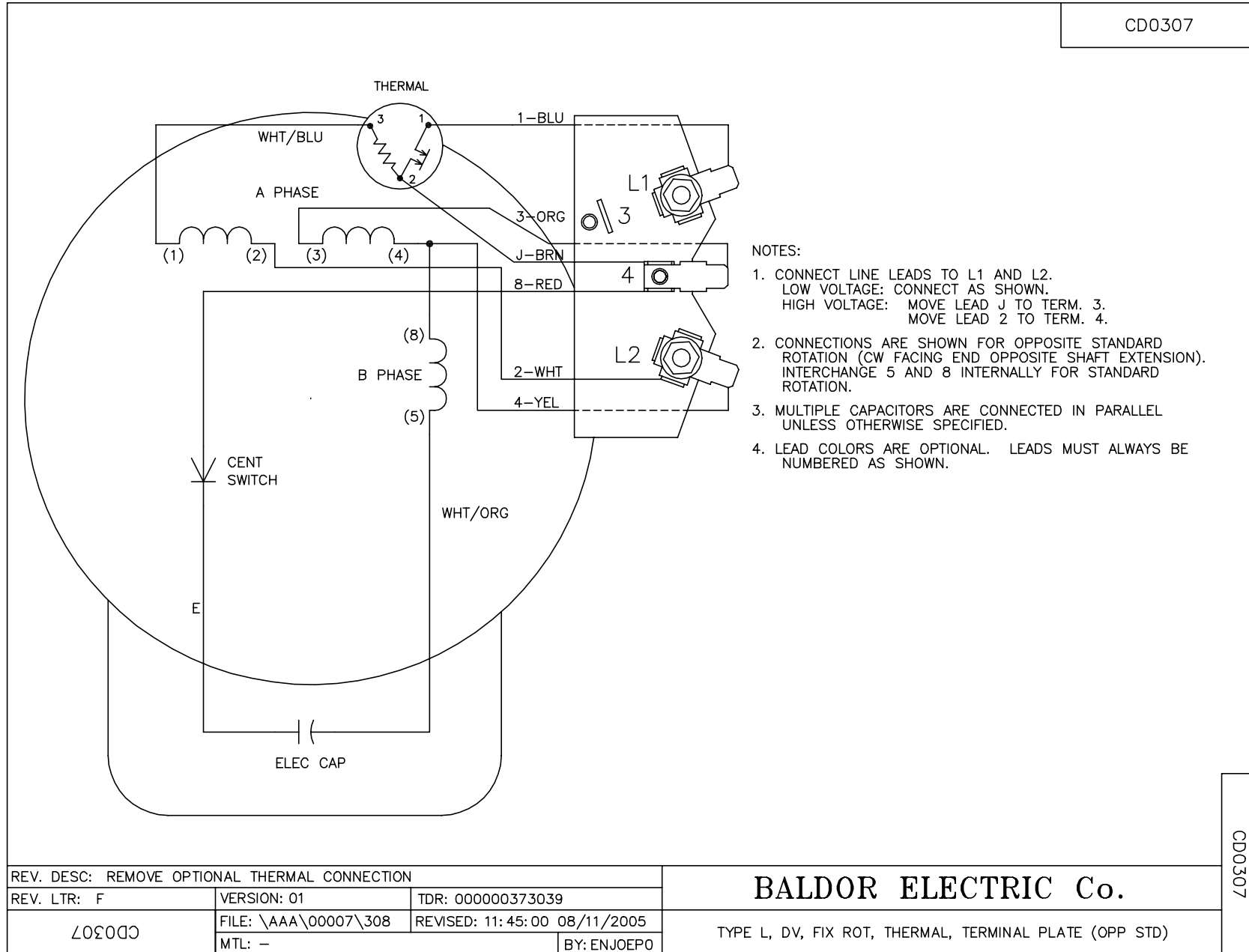
BALDOR • DODGE • RELIANCE

STD HORZ MODEL 34L NEMA 56J OPEN W/DRIPCOVER & TERM PLATE

SH 1 of 1

34LYF030

CD0307



NOTES:

1. CONNECT LINE LEADS TO L1 AND L2.
LOW VOLTAGE: CONNECT AS SHOWN.
HIGH VOLTAGE: MOVE LEAD J TO TERM. 3.
MOVE LEAD 2 TO TERM. 4.
2. CONNECTIONS ARE SHOWN FOR OPPOSITE STANDARD ROTATION (CW FACING END OPPOSITE SHAFT EXTENSION). INTERCHANGE 5 AND 8 INTERNALLY FOR STANDARD ROTATION.
3. MULTIPLE CAPACITORS ARE CONNECTED IN PARALLEL UNLESS OTHERWISE SPECIFIED.
4. LEAD COLORS ARE OPTIONAL. LEADS MUST ALWAYS BE NUMBERED AS SHOWN.

REV. DESC: REMOVE OPTIONAL THERMAL CONNECTION		
REV. LTR: F	VERSION: 01	TDR: 000000373039
CD0307	FILE: \AAA\00007\308	REVISED: 11: 45: 00 08/11/2005
	MTL: -	BY: ENJOEPO

BALDOR ELECTRIC Co.

TYPE L, DV, FIX ROT, THERMAL, TERMINAL PLATE (OPP STD)

CD0307