

BALDOR® • **RELIANCE**

Product Information Packet

CJL1309A

1HP,3450RPM,1PH,60HZ,56J,3428L,OPEN,F1

Copyright © All product information within this document is subject to Baldor Electric Company copyright © protection, unless otherwise noted.

Part Detail							
Revision:	Q	Status:	PRD/A	Change #:		Proprietary:	No
Type:	AC	Prod. Type:	3428L	Elec. Spec:	34WG3375	CD Diagram:	
Enclosure:	OPEN	Mfg Plant:		Mech. Spec:	34F497	Layout:	
Frame:	56J	Mounting:	F1	Poles:	02	Created Date:	
Base:	RG	Rotation:	FOS	Insulation:	B	Eff. Date:	01-24-2012
Leads:	4#16 A&J,1#18 B PH,1#18 C PH	Literature:		Elec. Diagram:		Replaced By:	

Nameplate NP1257L							
CAT.NO.	CJL1309A						
SPEC.	34F497-3375G1						
HP	1						
VOLTS	115/230						
AMP	14/7						
RPM	3450						
FRAME	56J	HZ	60	PH	1		
SER.F.	1.40	CODE	L	DES	N	CL	B
NEMA-NOM-EFF	65	PF	65				
RATING	40C AMB-CONT						
CC		USABLE AT 208V	N/A				
DE	6203	ODE	6203				
ENCL	OPEN	SN					
	SFA 16/8						

Parts List		
Part Number	Description	Quantity
SA010442	SA 34F497-3375G1	1.000 EA
RA006808	RA 34F497-3375G1	1.000 EA
EC1645A06SP	ELEC CAP, 645-774 MFD, 125V, 2.06D X 4.	1.000 EA
WD4100A01	DP-875 HEYCO PLUG OR 62MP0875 MICRO PLAS	1.000 EA
51XW0832A07	8-32 X .44, TAPTITE II, HEX WSHR SLTD SE	3.000 EA
11XT0832G06	8-32 X 3/8 TY 23 TAPPING	1.000 EA
NS2501A01	INSULATOR, CAPACITOR	1.000 EA
51XB1016A05	10-16X5/16HX WA SL SR TYB (F/S)	2.000 EA
WD1000A03	41531 AMP FLG.TERM,4M/REEL(2.5MIL)	1.000 EA
HW5100A03SP	WAVY WASHER (W1543-017)	1.000 EA
34EP3401A01SP	PU ENDPLATE, MACH	1.000 EA
34AD2000	BAFFLE PLATE, STAMPED	1.000 EA
51XT0632A06	6-32X3/8 TY23 HXWS SLDSR	4.000 EA
51XN1032A20	10-32 X 1 1/4 HX WS SL SR	2.000 EA
34FH4500A02P	DRIPCOVER, MODEL 34	1.000 EA
51XW0832A07	8-32 X .44, TAPTITE II, HEX WSHR SLTD SE	2.000 EA
RM1010A01	35-968-1 VINYL CLS	1.000 EA
34CB4501SP	TERMINAL BOX LID, STAMPED X (PLATED)	1.000 EA
51XW0832A07	8-32 X .44, TAPTITE II, HEX WSHR SLTD SE	2.000 EA
34EP3202A02	FR ENDPLATE, MACH	1.000 EA
NS2500A01	INSULATOR, AUTO THER PROT	1.000 EA
HA6015A02	THERMAL RETAINER (PLATED)	1.000 EA
51XT0632A06	6-32X3/8 TY23 HXWS SLDSR	2.000 EA
MG1000G27	PAINT- S9282E CHARCOAL GREY	0.014 GA

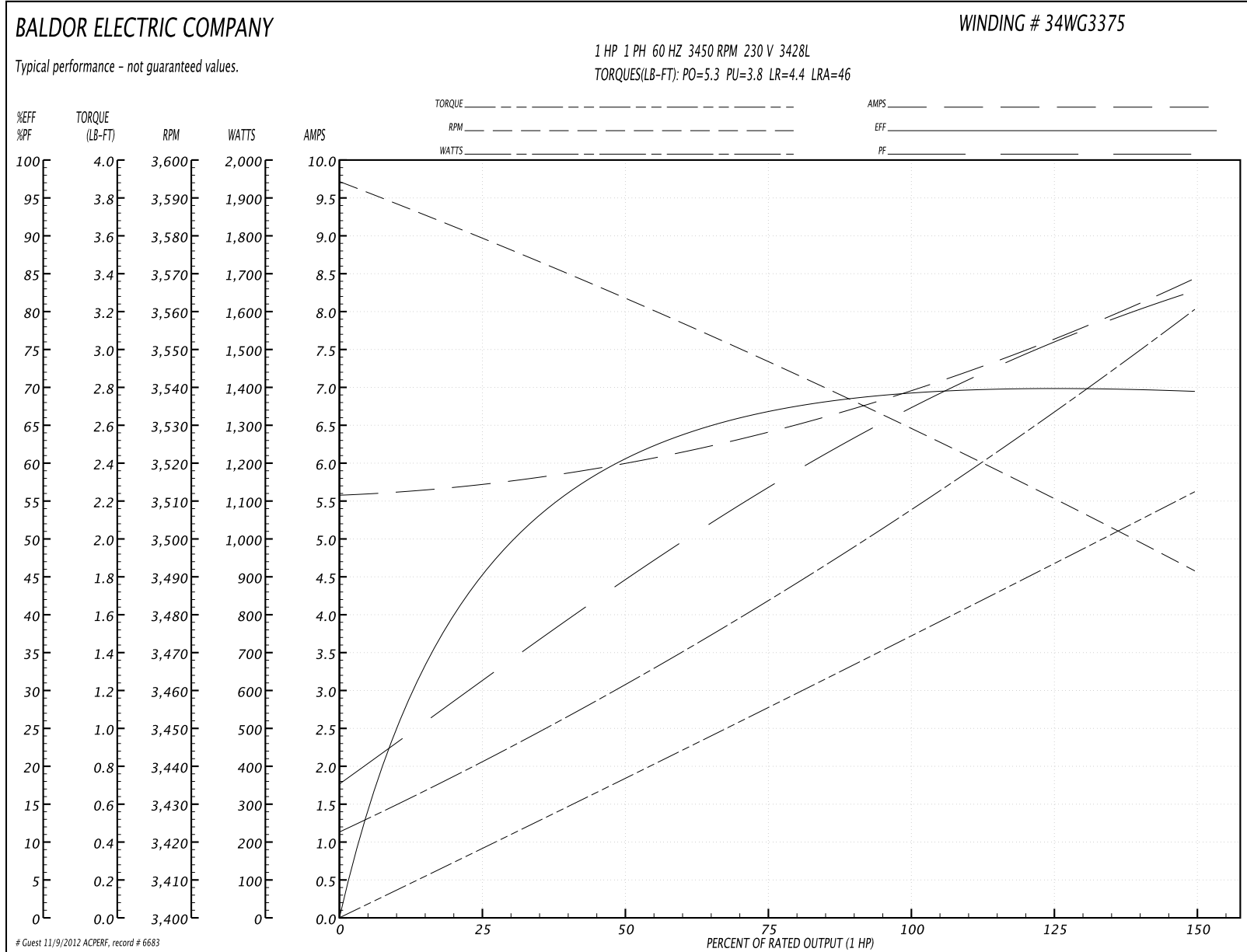
Parts List (continued)		
Part Number	Description	Quantity
10XF0440S02	04-40 X 1/8 TYPE F HEX HD STAINLESS STIC	2.000 EA
LB1009	LABEL,ROTATION DIRECTION (ON ROLLS)	1.000 EA
33CB4800A02	CAPACITOR COVER, STAMPED	1.000 EA
SP5086A01	MODEL 34 TERMINAL PANEL SWITCH WITH LEAD	1.000 EA
HA3100A21	THRUBOLT 10-32 X 9.937	4.000 EA
LB5040	INSTRUCTION TAG, AC & DC	1.000 EA
LB1118	LABEL,WARNING (ROLL LABEL)	1.000 EA
LB1125C01	STD (STOCK) CARTON LABEL BALDOR WITH FLA	1.000 EA
LC0546	CONNECTION LABEL, DV, FIX, W&W/O TP, TER	1.000 EA
NP1257L	ALUM UL CSA CC THERMAL REV MTG	1.000 EA
34PA1005	PACKING GROUP, BALDOR	1.000 EA
PK3083T	STYROFOAM PACKING CRADLE W/TAPE	1.000 EA

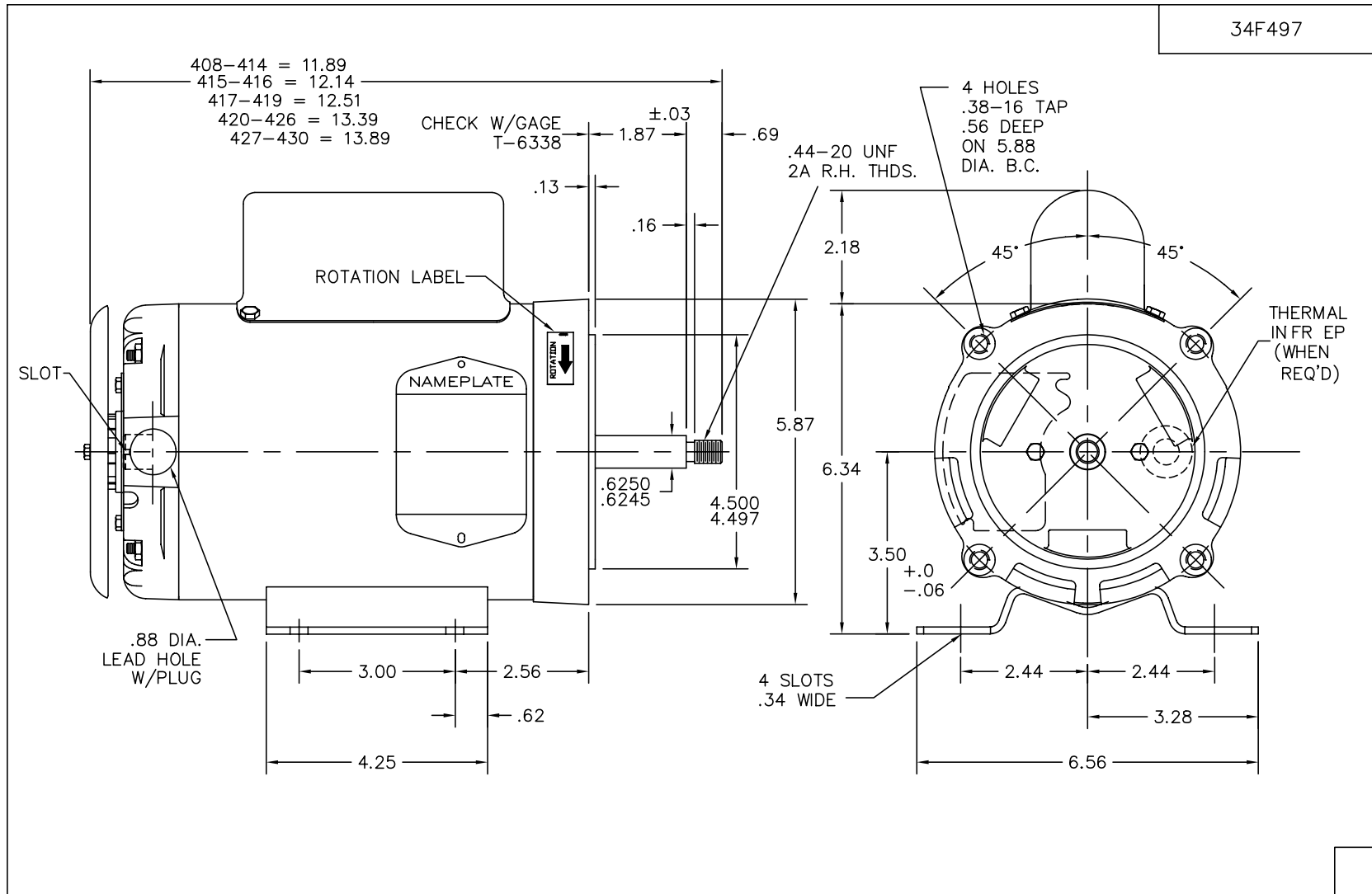
Performance Data at 230V, 60Hz, 1.0HP (Typical performance - Not guaranteed values)

General Characteristics			
Full Load Torque:	1.5 LB-FT	Start Configuration:	DOL
No-Load Current:	5.6 Amps	Break-Down Torque:	5.3 LB-FT
Line-line Res. @ 25°C.:	1.63 Ohms A Ph / 1.64 Ohms B Ph	Pull-Up Torque:	3.8 LB-FT
Temp. Rise @ Rated Load:	37 C	Locked-Rotor Torque:	4.4 LB-FT
Temp. Rise @ S.F. Load:	47 C	Starting Current:	46.0 Amps

Load Characteristics							
% of Rated Load	25	50	75	100	125	150	S.F.
Power Factor:	31.0	45.0	58.0	68.0	75.0	83.0	79.0
Efficiency:	47.1	60.7	66.5	69.1	70.2	69.4	70.9
Speed:	3578.0	3563.0	3546.0	3529.0	3511.0	3491.0	3500.0
Line Amperes:	5.7	6.0	6.4	7.0	7.7	8.4	8.1

Performance Graph at 230V, 60Hz, 1.0HP Typical performance - Not guaranteed values



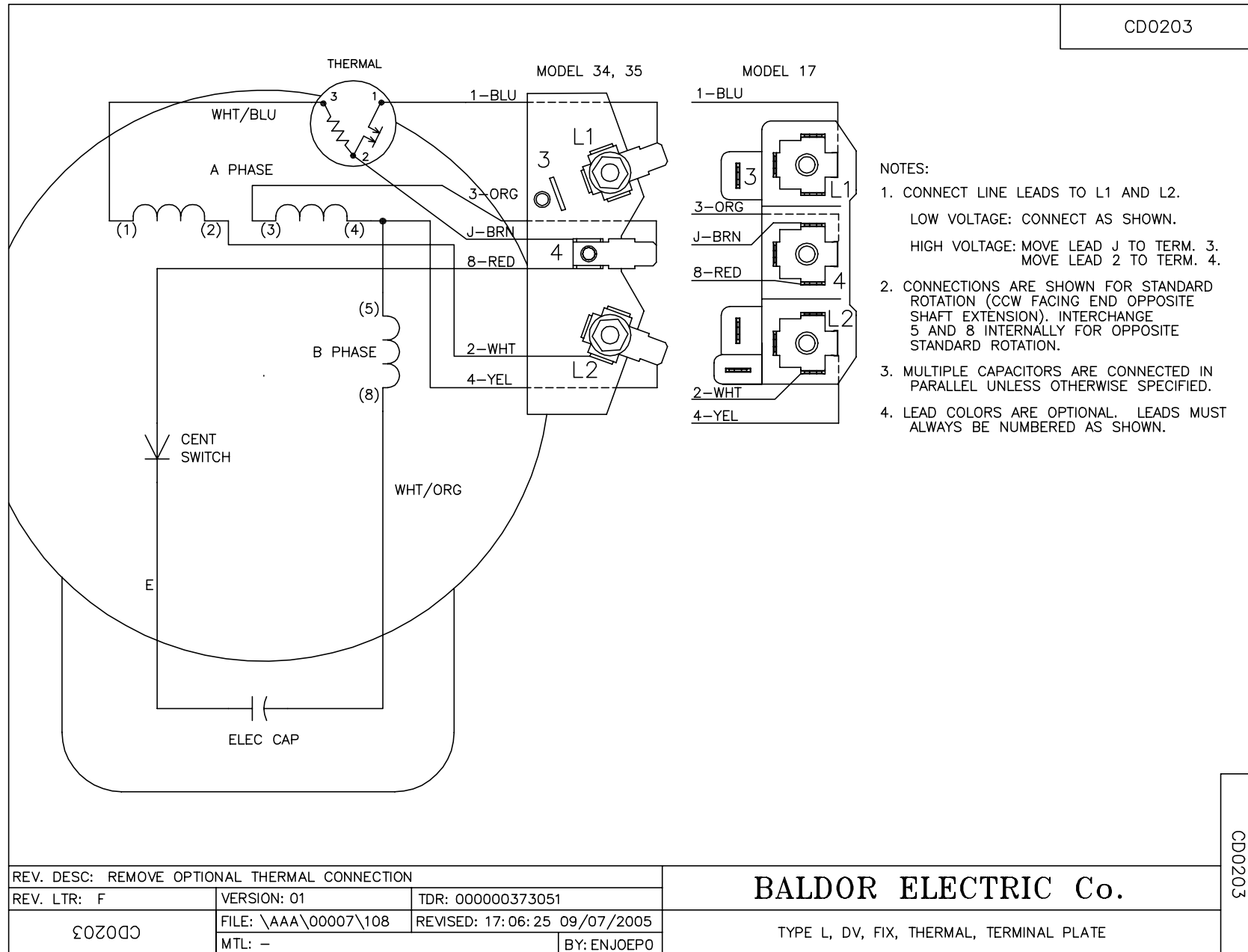


34F497

CUST. NAME		CUST. P.O.		CERTIFIED BY		MODEL		INSUL		AMB							
H.P.		MTG		TYPE		R.P.M.		VOLTS		ENCL		PHASE		FREQ		FRAME	
REMARKS:												BALDOR ELECTRIC Co. HORZ 34L NEMA 56J OPEN W/DRIP COVER & TERM PLATE					
REV: A ADD THERMAL LOCATION ON RIGHT VIEW IN E.P.																	
34F497		REF NO: 34F09		BY: DM		REVISED: 04/25/98		FILE: AAA00050317		TDR: 0150816							

34F497

CD0203



CD0203

REV. DESC: REMOVE OPTIONAL THERMAL CONNECTION		
REV. LTR: F	VERSION: 01	TDR: 000000373051
CD0203	FILE: \AAA\00007\108	REVISED: 17:06:25 09/07/2005
	MTL: -	BY: ENJOEPO

BALDOR ELECTRIC Co.

TYPE L, DV, FIX, THERMAL, TERMINAL PLATE