

BALDOR® • RELIANCE

Product Information Packet

CJL3501A

.33HP, 1725RPM, 1PH, 60HZ, 56J, 3414L, TEFC, F1

Copyright © All product information within this document is subject to Baldor Electric Company copyright © protection, unless otherwise noted.

Part Detail							
Revision:	T	Status:	PRD/A	Change #:		Proprietary:	No
Type:	AC	Prod. Type:	3414L	Elec. Spec:	34WG5597	CD Diagram:	
Enclosure:	TEFC	Mfg Plant:		Mech. Spec:	34L052	Layout:	
Frame:	56J	Mounting:	F1	Poles:	04	Created Date:	
Base:	RG	Rotation:	FOS	Insulation:	B	Eff. Date:	10-24-2011
Leads:	5#18	Literature:		Elec. Diagram:		Replaced By:	

Nameplate NP1257L							
CAT.NO.	CJL3501A						
SPEC.	34L52-5597						
HP	.33						
VOLTS	115/230						
AMP	6/3						
RPM	1725						
FRAME	56J	HZ	60	PH	1		
SER.F.	1.35	CODE	L	DES	N	CL	B
NEMA-NOM-EFF	60	PF	60				
RATING	40C AMB-CONT						
CC	USABLE AT 208V			3.6			
DE	6203	ODE	6203				
ENCL	TEFC	SN					
	SFA 6.8/3.4						

Parts List		
Part Number	Description	Quantity
SA007938	SA 34L52-5597	1.000 EA
RA004385	RA 34L52-5597	1.000 EA
EC1189A02SP	61B2D120189NNBA ELEC CAP, 189-227MFD, 12	1.000 EA
NS2512A01	INSULATOR, CONDUIT BOX X	1.000 EA
34CB3002A	CB CAST W/.88 DIA HOLE	1.000 EA
34GS1029A01	GASKET, CONDUIT BOX	1.000 EA
51XB1016A07	10-16 X 7/16 HXWSSLD SERTYB	2.000 EA
11XW1032G06	10-32 X .38, TAPTITE II, HEX WSHR SLTD U	1.000 EA
51XW0832A07	8-32 X .44, TAPTITE II, HEX WSHR SLTD SE	2.000 EA
34EP3102A01SP	FR ENDPLATE, MACH	1.000 EA
NS2500A01	INSULATOR, AUTO THER PROT	1.000 EA
34CB4800SP	CAPACITOR COVER, STAMPED	1.000 EA
34GS3000SP	GASKET, CAPACITOR BOX	1.000 EA
51XB1016A05	10-16X5/16HX WA SL SR TYB (F/S)	2.000 EA
HW5100A03SP	WAVY WASHER (W1543-017)	1.000 EA
34EP3300A24SP	PU ENDPLATE, MACH	1.000 EA
51XN1032A20	10-32 X 1 1/4 HX WS SL SR	2.000 EA
34FN3002A01SP	EXTERNAL FAN, PLASTIC, .637/.639 HUB W/	1.000 EA
34FH4002A03SP	IEC FH NO GREASER W/.88 DIA SHAFT HOLE	1.000 EA
51XW1032A06	10-32 X .38, TAPTITE II, HEX WSHR SLTD S	3.000 EA
WD4100A81	CAPLUG BPF-7/8, FOR .86-.88 HOLE	1.000 EA
34CB4517	CB LID 4 MTG HOLES .22 DIA STAMPED, FOR	1.000 EA
34GS1031A01	GASKET, FLAT CONDUIT BOX LID (LEXIDE)	1.000 EA
51XW0832A07	8-32 X .44, TAPTITE II, HEX WSHR SLTD SE	4.000 EA

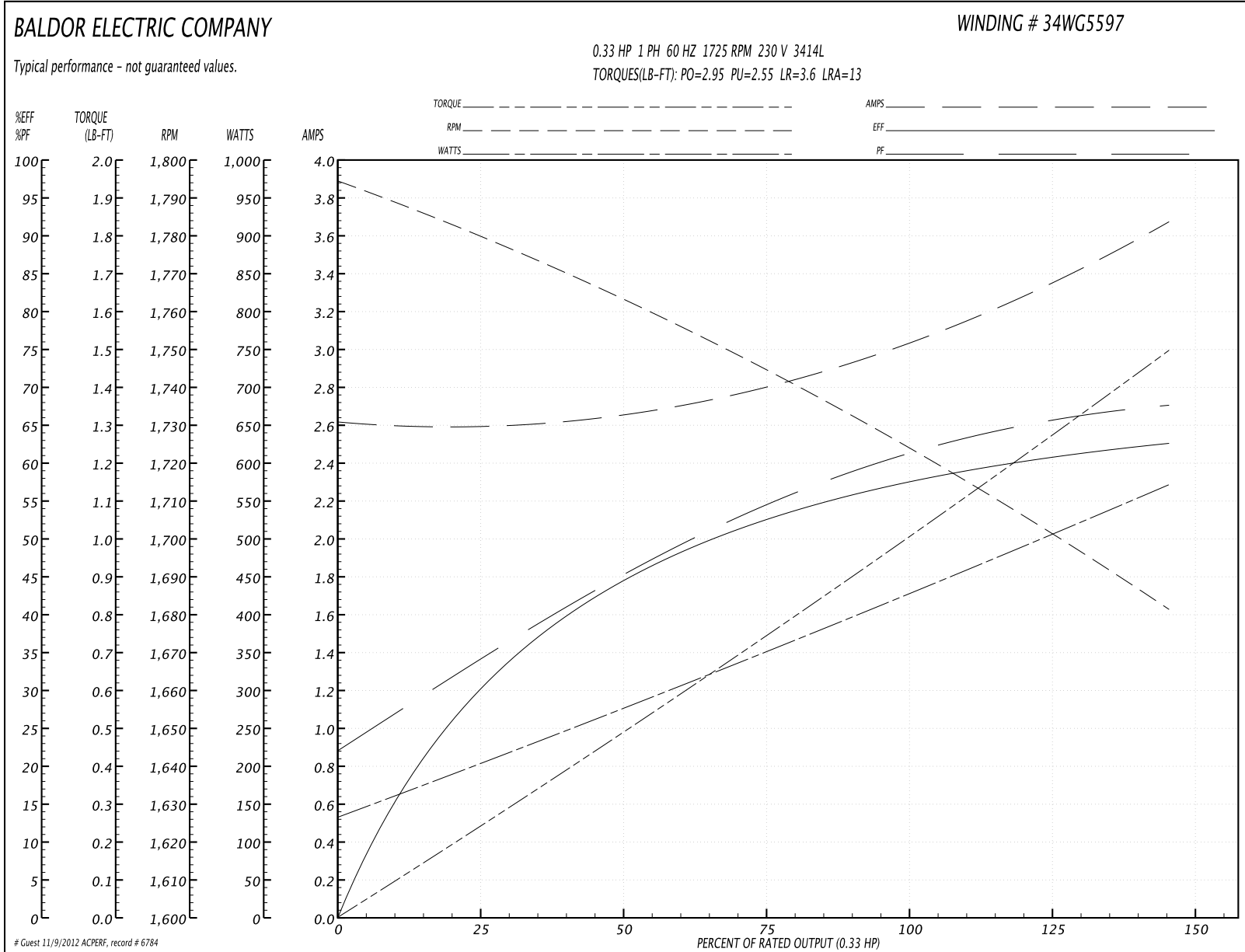
Parts List (continued)		
Part Number	Description	Quantity
MG1000G27	PAINT- S9282E CHARCOAL GREY	0.014 GA
10XF0440S02	04-40 X 1/8 TYPE F HEX HD STAINLESS STIC	2.000 EA
SP5056A26	MODEL 34 TYPE L STATIONARY SWITCH WITH L	1.000 EA
HA3100A12	THRUBOLT 10-32 X 7.375	4.000 EA
LB1118	LABEL,WARNING (ROLL LABEL)	1.000 EA
LB1125C01	STD (STOCK) CARTON LABEL BALDOR WITH FLA	1.000 EA
LC0031	CONNECTION LABEL	1.000 EA
NP1257L	ALUM UL CSA CC THERMAL REV MTG	1.000 EA
34PA1002	PACKING GROUP, BALDOR	1.000 EA

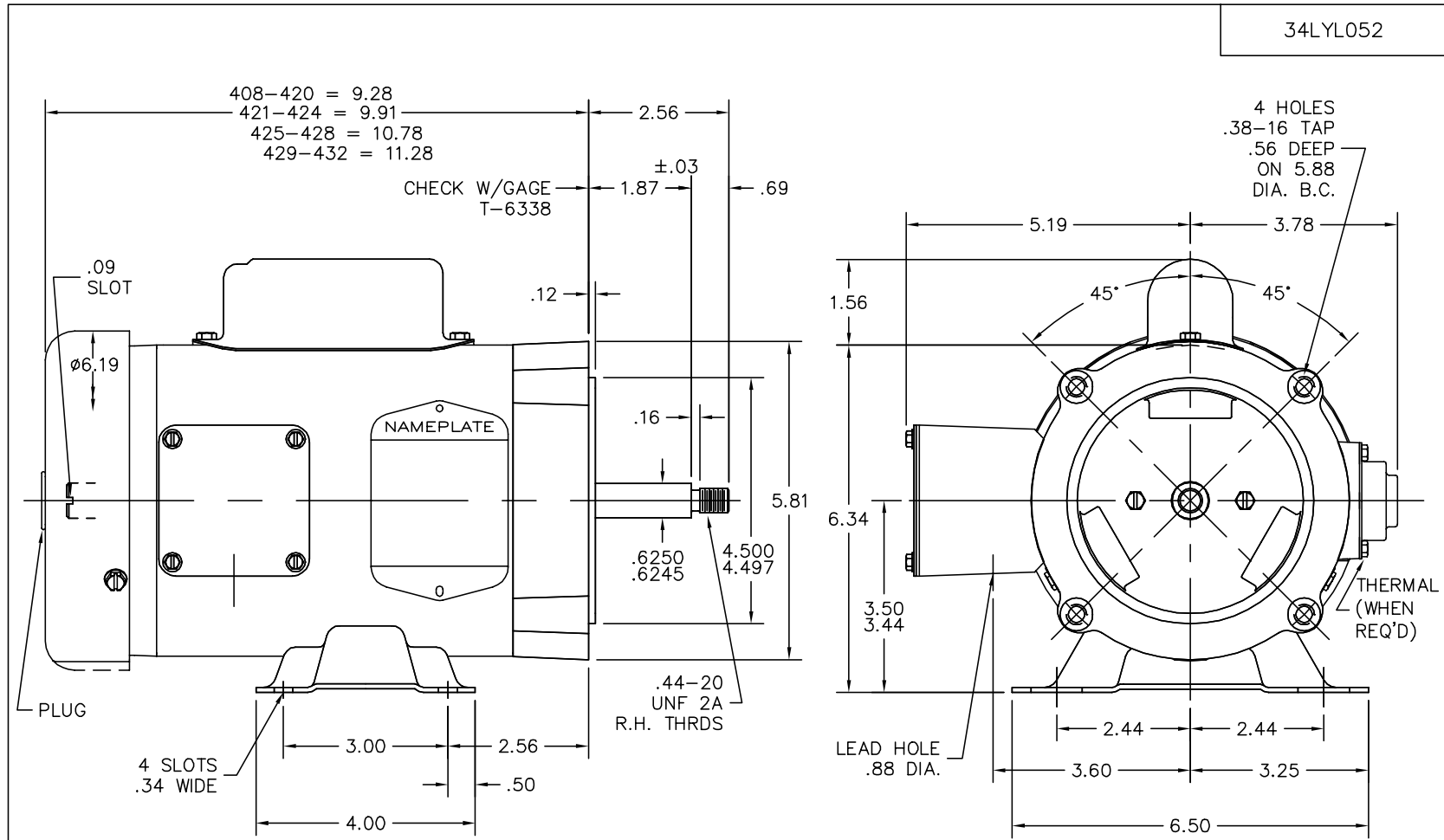
Accessories		
Part Number	Description	Multiplier
34-171	C FACE KIT	A8

Performance Data at 230V, 60Hz, 0.33HP (Typical performance - Not guaranteed values)

General Characteristics							
Full Load Torque:	1.0 LB-FT			Start Configuration:	DOL		
No-Load Current:	2.6 Amps			Break-Down Torque:	2.95 LB-FT		
Line-line Res. @ 25°C.:	6.32 Ohms A Ph / 4.93 Ohms B Ph			Pull-Up Torque:	2.55 LB-FT		
Temp. Rise @ Rated Load:	59 C			Locked-Rotor Torque:	3.6 LB-FT		
Temp. Rise @ S.F. Load:	73 C			Starting Current:	13.0 Amps		
Load Characteristics							
% of Rated Load	25	50	75	100	125	150	S.F.
Power Factor:	31.0	41.0	52.0	60.0	67.0	73.0	71.0
Efficiency:	33.0	41.0	52.0	60.0	61.5	61.5	61.5
Speed:	1780.0	1760.0	1745.0	1725.0	1705.0	1680.0	1690.0
Line Amperes:	2.6	2.7	2.8	3.0	3.3	3.7	3.4

Performance Graph at 230V, 60Hz, 0.33HP Typical performance - Not guaranteed values





CUSTOMER IS RESPONSIBLE FOR DETERMINING THAT MOTOR PERFORMANCE IS SUITABLE IN THE APPLICATION.

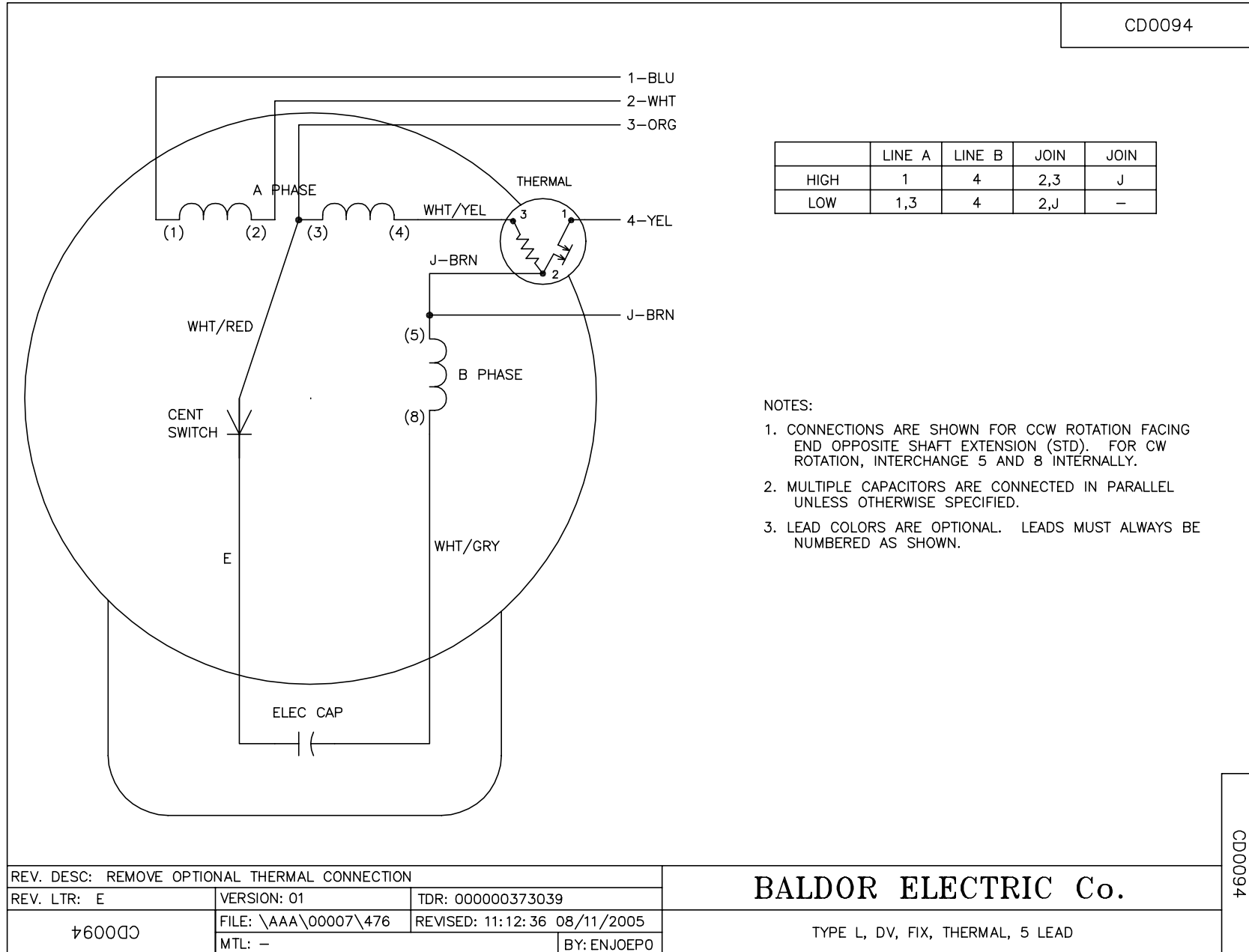
REV. DESC: UPDATED BASE			
REV. LTR: E	VERSION: 01	TDR: 000000408514	
34LYL052	FILE: \AAA\00026\048	REVISED: 16:09:57 09/19/2006	
	MTL: -	BY: ENMARW1	

BALDOR ELECTRIC Co.

STD HORZ MODEL 34L NEMA 56J TEFC

34LYL052

CD0094



	LINE A	LINE B	JOIN	JOIN
HIGH	1	4	2,3	J
LOW	1,3	4	2,J	-

NOTES:

1. CONNECTIONS ARE SHOWN FOR CCW ROTATION FACING END OPPOSITE SHAFT EXTENSION (STD). FOR CW ROTATION, INTERCHANGE 5 AND 8 INTERNALLY.
2. MULTIPLE CAPACITORS ARE CONNECTED IN PARALLEL UNLESS OTHERWISE SPECIFIED.
3. LEAD COLORS ARE OPTIONAL. LEADS MUST ALWAYS BE NUMBERED AS SHOWN.

REV. DESC: REMOVE OPTIONAL THERMAL CONNECTION			
REV. LTR: E	VERSION: 01	TDR: 000000373039	
CD0094	FILE: \AAA\00007\476	REVISED: 11:12:36 08/11/2005	
	MTL: -	BY: ENJOEPO	

BALDOR ELECTRIC Co.

TYPE L, DV, FIX, THERMAL, 5 LEAD

CD0094