

BALDOR® • **RELIANCE**

Product Information Packet

CJM3158

3HP,3450RPM,3PH,60HZ,56J,3524M,OPEN,F1

Copyright © All product information within this document is subject to Baldor Electric Company copyright © protection, unless otherwise noted.

Part Detail							
Revision:	M	Status:	PRD/A	Change #:		Proprietary:	No
Type:	AC	Prod. Type:	3524M	Elec. Spec:	35WGR286	CD Diagram:	
Enclosure:	OPEN	Mfg Plant:		Mech. Spec:	35T961	Layout:	
Frame:	56J	Mounting:	F1	Poles:	02	Created Date:	06-22-2007
Base:	RG	Rotation:	R	Insulation:	B	Eff. Date:	07-01-2011
Leads:	9#18	Literature:		Elec. Diagram:		Replaced By:	

Nameplate NP1256L									
CAT.NO.	CJM3158								
SPEC.	35T961R286G1								
HP	3								
VOLTS	208-230/460								
AMP	8.5-8/4								
RPM	3450								
FRAME	56J	HZ	60	PH	3				
SER.F.	1.15	CODE	K	DES	B	CLASS	B		
NEMA-NOM-EFF	80	PF	87						
RATING	40C AMB-CONT								
CC				USABLE AT 208V	8.5				
DE	6205	ODE	6203						
ENCL	OPEN	SN							

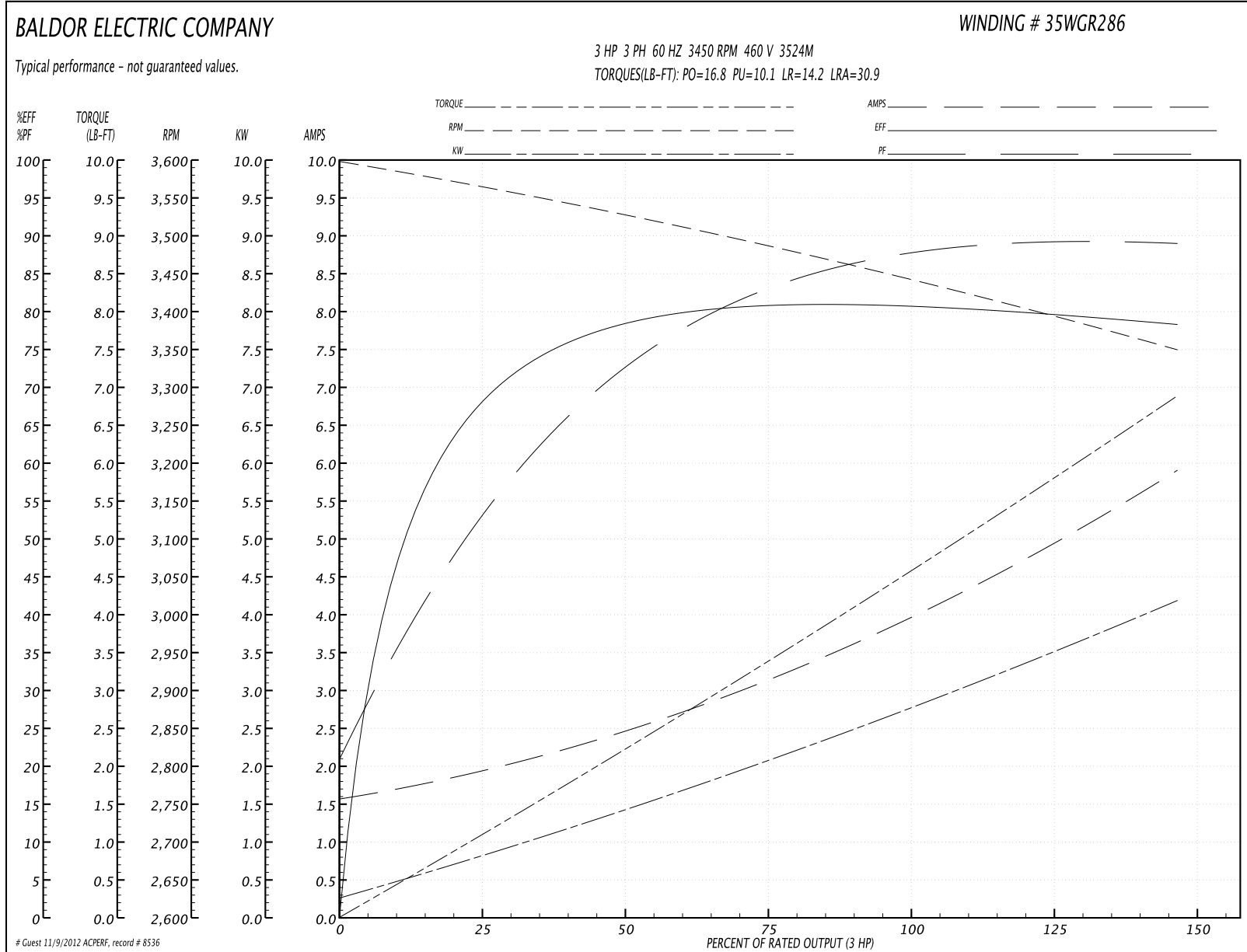
Parts List		
Part Number	Description	Quantity
SA111046	SA 35T961R286G1	1.000 EA
RA102425	RA 35T961R286G1	1.000 EA
NS2512A01	INSULATOR, CONDUIT BOX X	1.000 EA
35CB3007	35 CB CASTING W/.88 DIA. LEAD HOLE	1.000 EA
51XB1016A07	10-16 X 7/16 HXWSSLD SERTYB	2.000 EA
11XW1032G06	10-32 X .38, TAPTITE II, HEX WSHR SLTD U	1.000 EA
35EP3201A04SP	SPL FR EP-OPEN-35L OR M -203 BRG-W/DRIP	1.000 EA
HW5100A03SP	WAVY WASHER (W1543-017)	1.000 EA
35EP3400A13	STD FACE MTD END PLATE OPEN NEMA 56C 05	1.000 EA
35AD2000	AIR BAFFLE	1.000 EA
15XF0632A06	6-32 X 3/8 PHILL PAN HD TYPE F	4.000 EA
51XN1032A20	10-32 X 1 1/4 HX WS SL SR	2.000 EA
35FN3002A05SP	EXFN, PLASTIC, 6.376 OD, .638 ID	1.000 EA
51XB1214A16	12-14X1.00 HXWSSLD SERTYB	1.000 EA
35FH4006A02	DRIP COVER STAMPED, VERT., W/ AUTOPHERET	1.000 EA
51XW1032A06	10-32 X .38, TAPTITE II, HEX WSHR SLTD S	3.000 EA
WD4100A10	465 NIAGARA PLUG (SO ELEC),FOR 1.093 DIA	1.000 EA
35CB4521	35 LIPPED CB LID (GALV & PHOSPH)	1.000 EA
51XW0832A07	8-32 X .44, TAPTITE II, HEX WSHR SLTD SE	4.000 EA
85XU0407S04	4X1/4 U DRIVE PIN STAINLESS	2.000 EA
MJ1000A75	GREASE, POLYREX EM EXXON	0.050 LB
MG1000G27	PAINT- S9282E CHARCOAL GREY	0.017 GA
LB1009	LABEL,ROTATION DIRECTION (ON ROLLS)	1.000 EA
HA3100A15	THRUBOLT 10-32 X 8.375	4.000 EA

Parts List (continued)		
Part Number	Description	Quantity
LB1125C01	STD (STOCK) CARTON LABEL BALDOR WITH FLA	1.000 EA
LC0005E01	CONN.DIA./WARNING LABEL (LC0005/LB1119)	1.000 EA
NP1256L	ALUM UL CSA CC	1.000 EA
PA1000	PACKING GROUP 3500 SHORT	1.000 EA

Performance Data at 460V, 60Hz, 3.0HP (Typical performance - Not guaranteed values)

General Characteristics							
Full Load Torque:	4.6 LB-FT			Start Configuration:	DOL		
No-Load Current:	1.6 Amps			Break-Down Torque:	16.8 LB-FT		
Line-line Res. @ 25°C.:	5.928 Ohms A Ph / 0.0 Ohms B Ph			Pull-Up Torque:	10.1 LB-FT		
Temp. Rise @ Rated Load:	42 C			Locked-Rotor Torque:	14.2 LB-FT		
Temp. Rise @ S.F. Load:	50 C			Starting Current:	30.9 Amps		
Load Characteristics							
% of Rated Load	25	50	75	100	125	150	S.F.
Power Factor:	56.0	74.0	83.0	87.0	89.0	89.0	88.0
Efficiency:	68.6	78.2	80.7	81.0	79.9	78.1	80.3
Speed:	3565.0	3520.0	3484.0	3444.0	3400.0	3346.0	3418.0
Line Amperes:	1.9	2.5	3.2	4.0	4.9	5.9	4.5

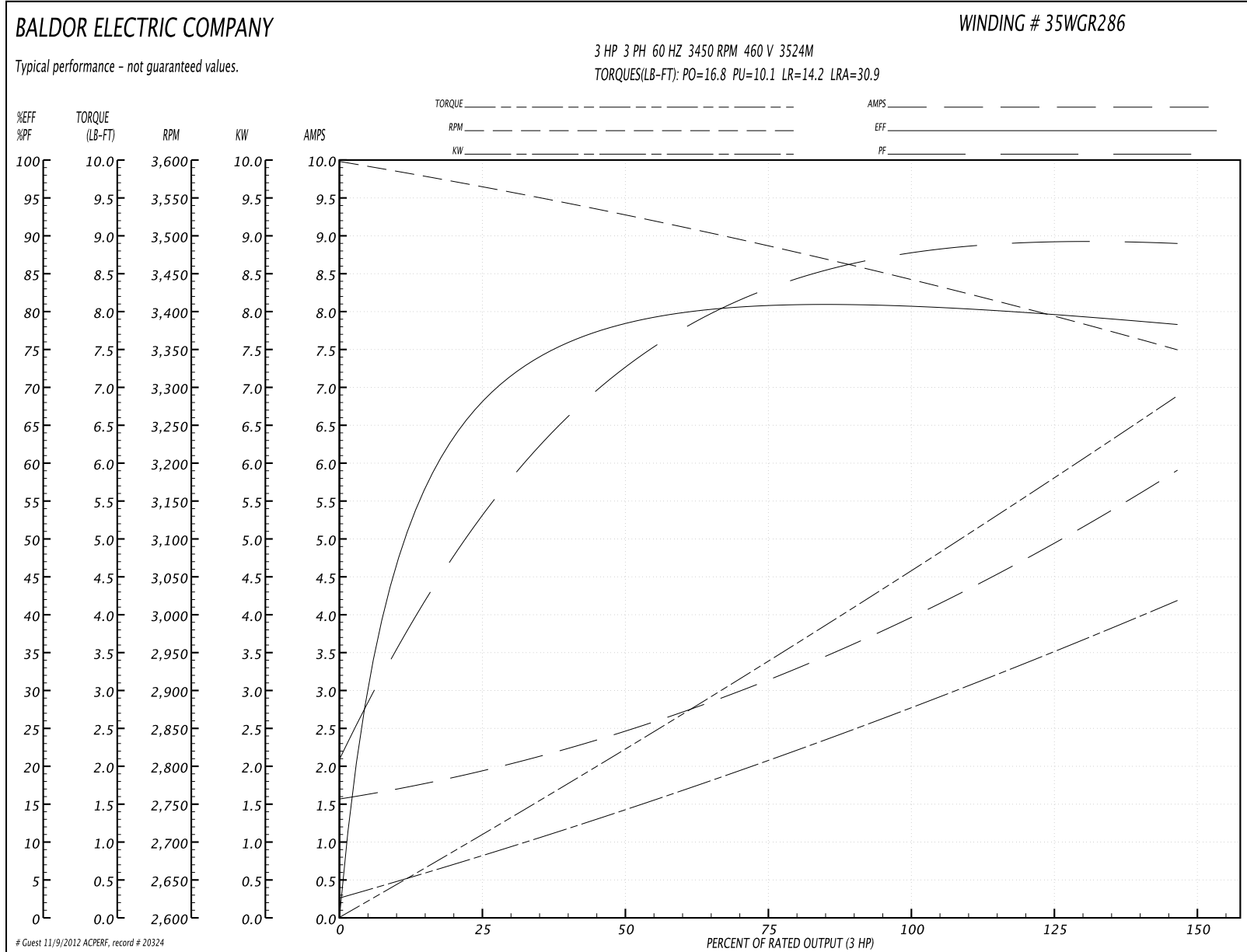
Performance Graph at 460V, 60Hz, 3.0HP Typical performance - Not guaranteed values

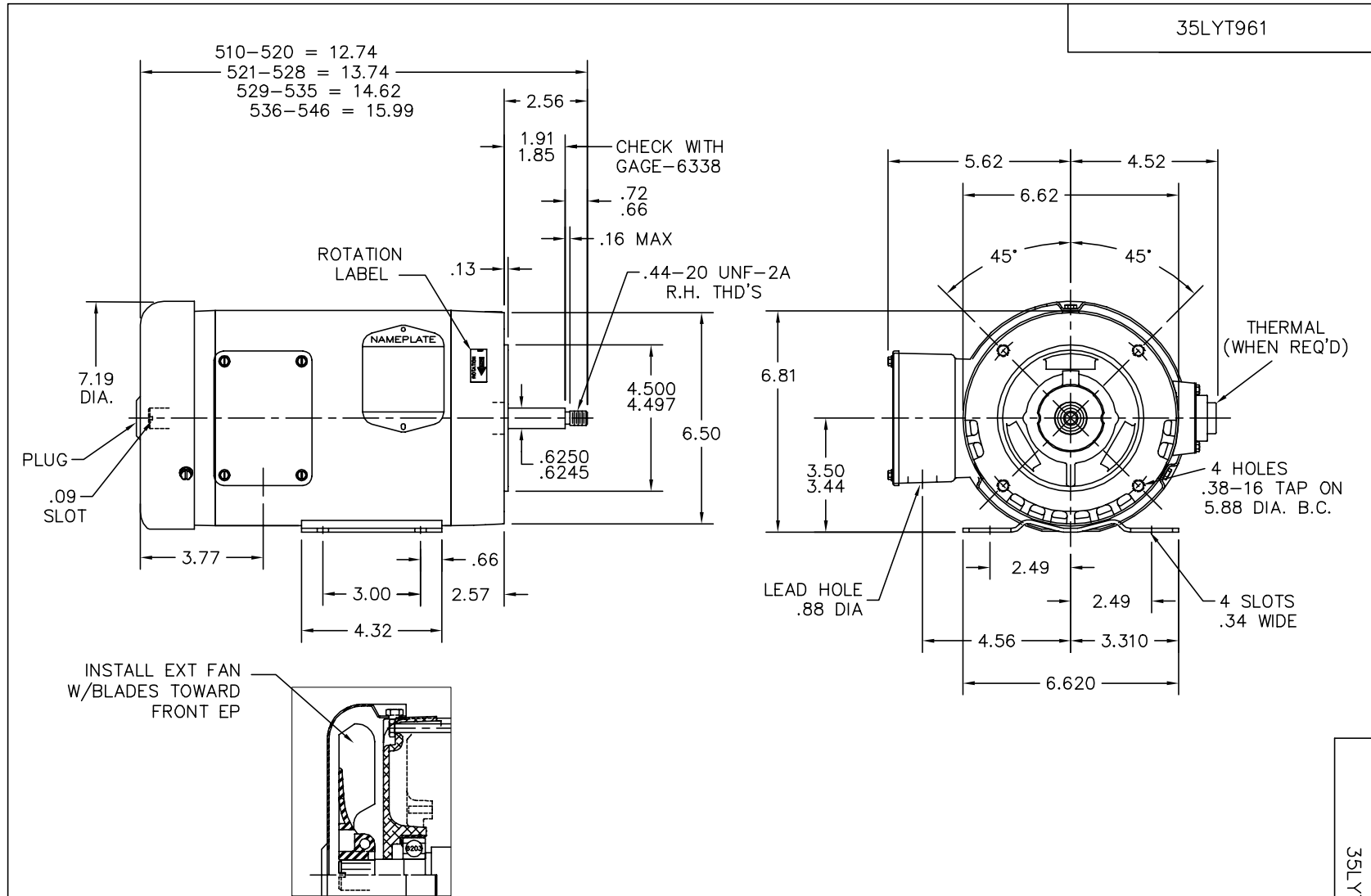


Performance Data at 460V, 60Hz, 3.0HP (Typical performance - Not guaranteed values)

General Characteristics							
Full Load Torque:	4.6 LB-FT			Start Configuration:	DOL		
No-Load Current:	1.6 Amps			Break-Down Torque:	16.8 LB-FT		
Line-line Res. @ 25°C.:	5.928 Ohms A Ph / 0.0 Ohms B Ph			Pull-Up Torque:	10.1 LB-FT		
Temp. Rise @ Rated Load:	42 C			Locked-Rotor Torque:	14.2 LB-FT		
Temp. Rise @ S.F. Load:	50 C			Starting Current:	30.9 Amps		
Load Characteristics							
% of Rated Load	25	50	75	100	125	150	S.F.
Power Factor:	56.0	74.0	83.0	87.0	89.0	89.0	88.0
Efficiency:	68.6	78.2	80.7	81.0	79.9	78.1	80.3
Speed:	3565.0	3520.0	3484.0	3444.0	3400.0	3346.0	3418.0
Line Amperes:	1.9	2.5	3.2	4.0	4.9	5.9	4.5

Performance Graph at 460V, 60Hz, 3.0HP Typical performance - Not guaranteed values





CUSTOMER IS RESPONSIBLE FOR DETERMINING THAT BALDOR'S PRODUCT WILL PERFORM SUITABLY IN THE INTENDED APPLICATION.

REV. DESC: UPDATE OVERALL DIMENSIONS

REV. LTR: C

VERSION: 03

TDR: 000000713166

FILE: \AAA\00111\417

REVISED: 01:11:48 09/21/2011

MTL: -

BY: ENROSTO

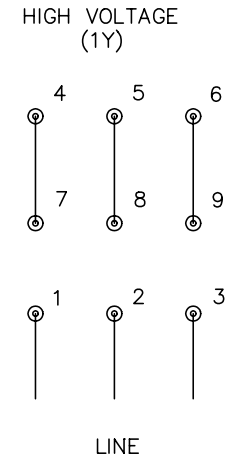
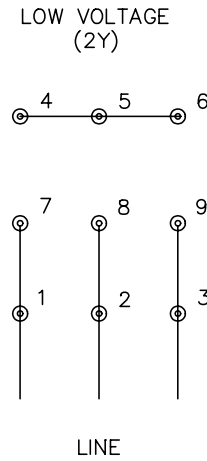
BALDOR • DODGE • RELIANCE

HORZ 56J OPEN 35M W/ DRIP COVER, 2 POLE "W" BASE (35BA4010)

SH 1 of 1

35LYT961

CD0005



NOTES:

1. INTERCHANGE ANY TWO LINE LEADS TO REVERSE ROTATION.
2. OPTIONAL THERMOSTATS ARE PROVIDED WHEN SPECIFIED.
3. ACTUAL NUMBER OF INTERNAL PARALLEL CIRCUITS MAY BE A MULTIPLE OF THOSE SHOWN ABOVE.
4. LEAD COLORS ARE OPTIONAL. LEADS MUST ALWAYS BE NUMBERED AS SHOWN.

REV. DESC: REVISE TO SHOW OPTIONAL COLORS			
REV. LTR: E	BY: JLP	REVISED: 01/19/99 10:15	TDR: 0171435
90000		FILE: AAA00005140	MDL: -
		MTL: -	

BALDOR ELECTRIC Co.

3PH, DV, 9 LEADS

CD0005