

BALDOR® • *RELIANCE*

Product Information Packet

CL3514

1.5HP, 1725RPM, 1PH, 60HZ, 56C, 3532LC, TEFC, F

Copyright © All product information within this document is subject to Baldor Electric Company copyright © protection, unless otherwise noted.

Part Detail							
Revision:	-	Status:	PRD/A	Change #:		Proprietary:	No
Type:	AC	Prod. Type:	3532LC	Elec. Spec:	35WGN568	CD Diagram:	
Enclosure:	TEFC	Mfg Plant:		Mech. Spec:	35E024	Layout:	
Frame:	56C	Mounting:	F1	Poles:	04	Created Date:	08-30-2012
Base:	RG	Rotation:	R	Insulation:	B	Eff. Date:	09-05-2012
Leads:	4#16 A&J,2#18 B PH	Literature:		Elec. Diagram:		Replaced By:	

Nameplate NP1256L									
CAT.NO.	CL3514								
SPEC.	35E024N568G1								
HP	1.5								
VOLTS	115/230								
AMP	12.4/6.2								
RPM	1725								
FRAME	56C	HZ	60	PH	1				
SER.F.	1.15	CODE	J	DES	L	CLASS	B		
NEMA-NOM-EFF	80	PF	96						
RATING	40C AMB-CONT								
CC				USABLE AT 208V	6.8				
DE	6205	ODE	6203						
ENCL	TEFC	SN							

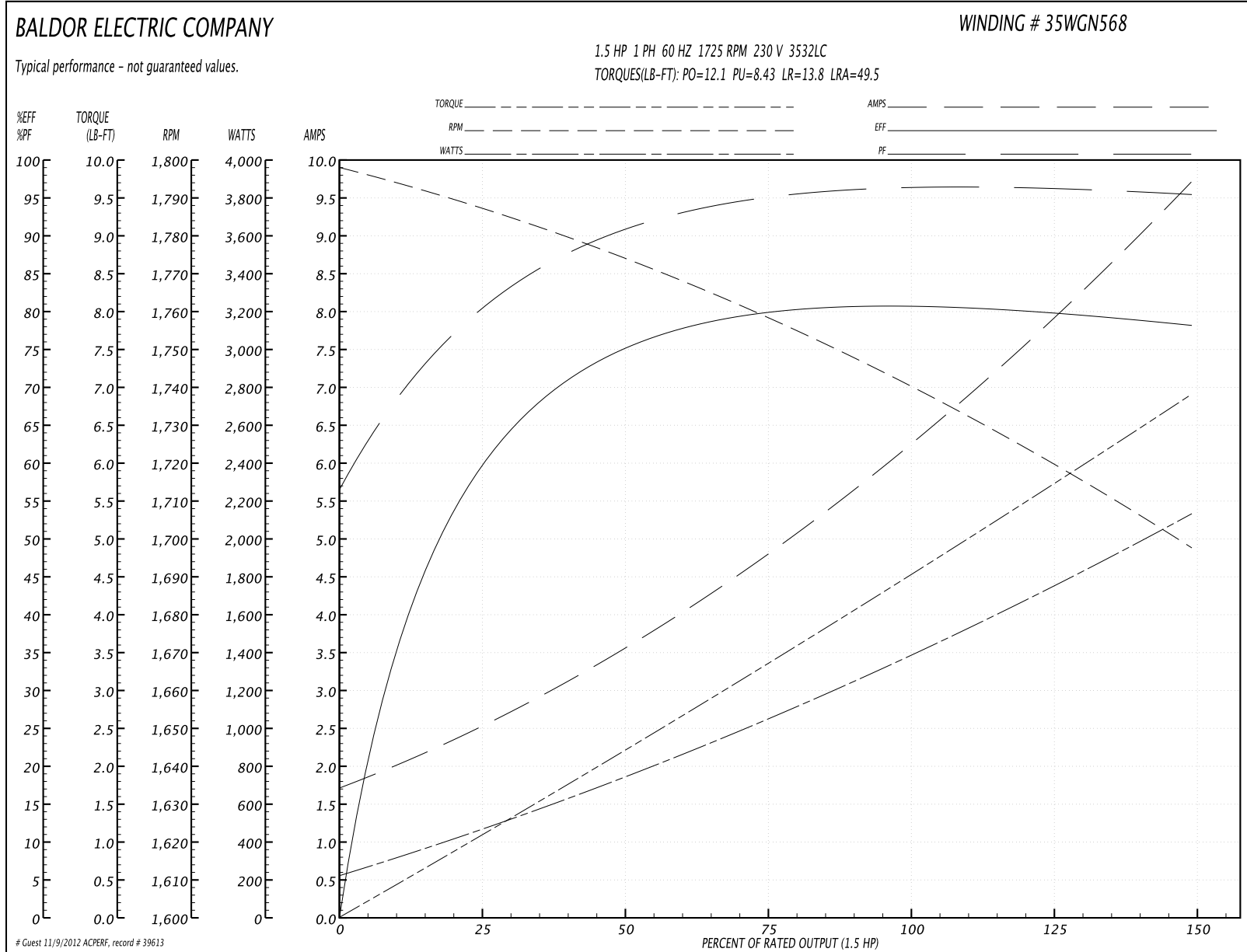
Parts List		
Part Number	Description	Quantity
SA250420	SA 35E024N568G1	1.000 EA
RA237275	RA 35E024N568G1	1.000 EA
OC3060C09	CYL OIL CAP 60MFD/240V	1.000 EA
EC1540A04	ELEC CAP, 540-648 MFD, 125V, 1.81D X 4.	1.000 EA
WD3006A01	RSS-2-103JT 2W 10K RES. METAL OXIDE 5%	1.000 EA
NS2512A01	INSULATOR, CONDUIT BOX X	1.000 EA
35CB3007	35 CB CASTING W/.88 DIA. LEAD HOLE	1.000 EA
36GS1000SP	GASKET-CONDUIT BOX, .06 THICK #SV-330 LE	1.000 EA
51XB1016A07	10-16 X 7/16 HXWSSLD SERTYB	2.000 EA
11XW1032G06	10-32 X .38, TAPTITE II, HEX WSHR SLTD U	1.000 EA
35EP3100M02	FREP TEFC 203 BRG W/O GRSR (RAISED FH MT	1.000 EA
51XW0832A07	8-32 X .44, TAPTITE II, HEX WSHR SLTD SE	2.000 EA
35CB3801SP	CAPACITOR COVER, CAST	1.000 EA
34GS3002	GASKET, CAPACITOR BOX	1.000 EA
HA7010	CAPACITOR RETENTION CLAMP	1.000 EA
NS2501A02	INSULATOR, CAPACITOR BOX	1.000 EA
51XB1016A08	10-16X 1/2HXWSSLD SERTYB	2.000 EA
HW5100A03SP	WAVY WASHER (W1543-017)	1.000 EA
35EP3300A33	SPL FACE MTD EP -ENCL-205 BRG	1.000 EA
51XN1032A20	10-32 X 1 1/4 HX WS SL SR	2.000 EA
51XB1214A16	12-14X1.00 HXWSSLD SERTYB	1.000 EA
35FH4005A32SP	IEC FH NO GRSR W/3 HOLES - W/AUTOPHERETI	1.000 EA
51XW1032A06	10-32 X .38, TAPTITE II, HEX WSHR SLTD S	3.000 EA
35CB4521GX	CONDUIT BOX LID KIT	1.000 EA

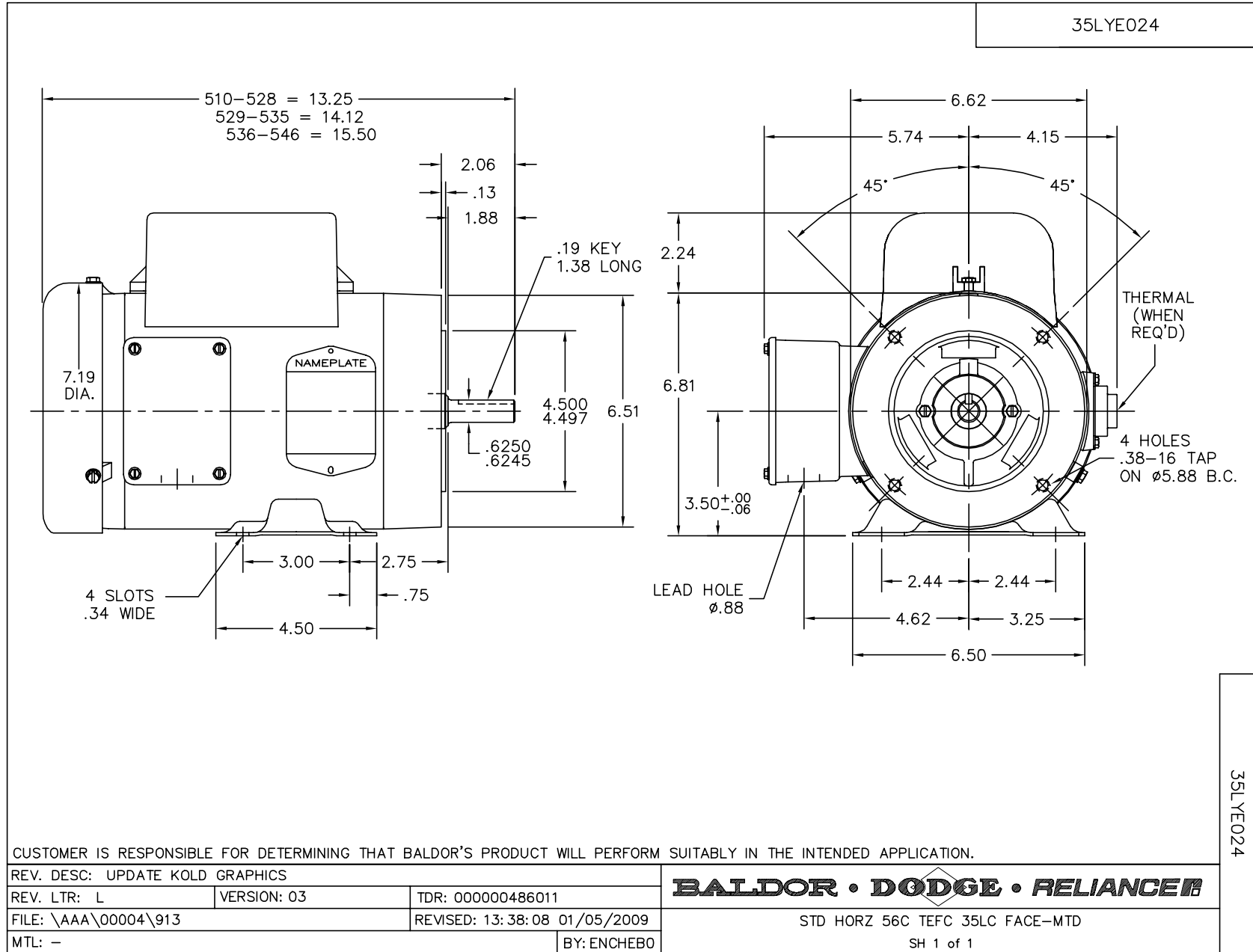
Parts List (continued)		
Part Number	Description	Quantity
51XW0832A07	8-32 X .44, TAPTITE II, HEX WSHR SLTD SE	4.000 EA
HW2501D13SP	KEY, 3/16 SQ X 1.375	1.000 EA
HA7000A04	KEY RETAINER 0.625 DIA SHAFTS	1.000 EA
85XU0407S04	4X1/4 U DRIVE PIN STAINLESS	2.000 EA
WD1000A15	3-520132-2 AMP FLAG (4M/RL NON-CANC/NON-	4.000 EA
MJ1000A75	GREASE, POLYREX EM EXXON	0.050 LB
35FN3002A05SP	EXFN, PLASTIC, 6.376 OD, .638 ID	1.000 EA
MG1000G27	PAINT- S9282E CHARCOAL GREY	0.017 GA
HA3100A18	THRUBOLT 10-32 X 9.250	4.000 EA
34GS5003	FOAM SLEEVE, ID = 2 1/16" X 3 3/8"	2.000 EA
SP5181A01	MODEL 35 LC TORQ STAT SWITCH LEAD ASSY	1.000 EA
LB1125C01	STD (STOCK) CARTON LABEL BALDOR WITH FLA	1.000 EA
LC0001A01	CONN LABEL / WARNING LABEL (LC0001 / LB1	1.000 EA
NP1256L	ALUM UL CSA CC	1.000 EA
36PA1000	PACK GROUP W/LB5001	1.000 EA

Performance Data at 230V, 60Hz, 1.5HP (Typical performance - Not guaranteed values)

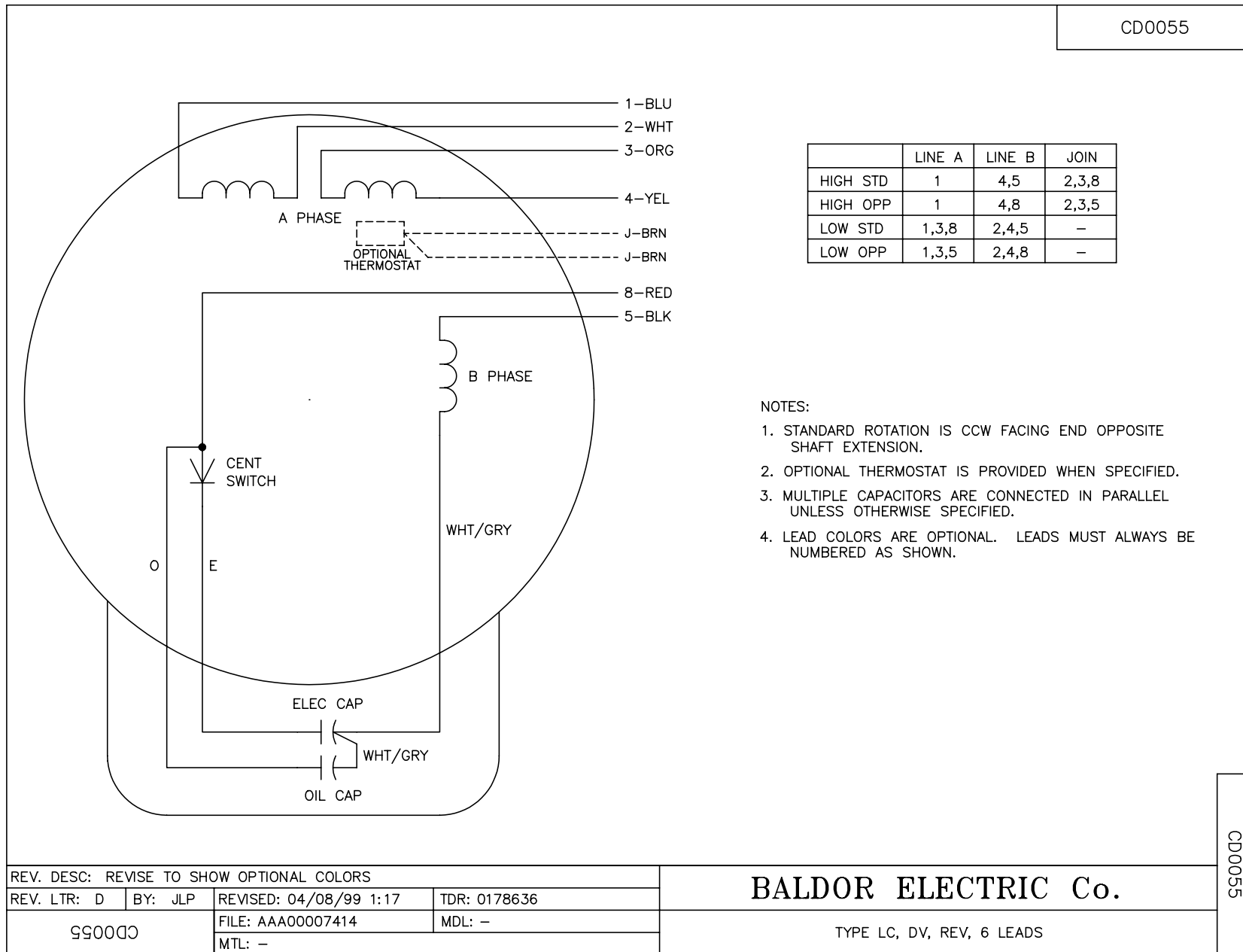
General Characteristics							
Full Load Torque:	4.48 LB-FT			Start Configuration:	DOL		
No-Load Current:	1.76 Amps			Break-Down Torque:	12.1 LB-FT		
Line-line Res. @ 25°C.:	1.69 Ohms A Ph / 1.5344 Ohms B Ph			Pull-Up Torque:	8.43 LB-FT		
Temp. Rise @ Rated Load:	69 C			Locked-Rotor Torque:	13.8 LB-FT		
Temp. Rise @ S.F. Load:	82 C			Starting Current:	49.5 Amps		
Load Characteristics							
% of Rated Load	25	50	75	100	125	150	S.F.
Power Factor:	83.0	91.0	95.0	96.0	96.0	96.0	96.0
Efficiency:	58.3	74.3	79.3	81.2	80.3	77.8	80.7
Speed:	1786.8	1773.6	1758.8	1742.3	1721.1	1696.6	1730.0
Line Amperes:	2.41	3.53	4.78	6.21	7.86	9.72	7.2

Performance Graph at 230V, 60Hz, 1.5HP Typical performance - Not guaranteed values





CD0055



REV. DESC: REVISE TO SHOW OPTIONAL COLORS			
REV. LTR: D	BY: JLP	REVISED: 04/08/99 1:17	TDR: 0178636
990000		FILE: AAA00007414	MDL: -
CD0055		MTL: -	

BALDOR ELECTRIC Co.

TYPE LC, DV, REV, 6 LEADS

CD0055