

BALDOR® • RELIANCE

Product Information Packet

CNM3457

.33HP,3450RPM,3PH,60HZ,56C,3410M,TENV,F1

Copyright © All product information within this document is subject to Baldor Electric Company copyright © protection, unless otherwise noted.

Part Detail							
Revision:	A	Status:	PRD/A	Change #:		Proprietary:	No
Type:	AC	Prod. Type:	3410M	Elec. Spec:	34WGY170	CD Diagram:	
Enclosure:	TENV	Mfg Plant:		Mech. Spec:	34K008	Layout:	
Frame:	56C	Mounting:	F1	Poles:	02	Created Date:	06-18-2008
Base:	RG	Rotation:	R	Insulation:	B	Eff. Date:	03-24-2011
Leads:	9#18	Literature:		Elec. Diagram:		Replaced By:	

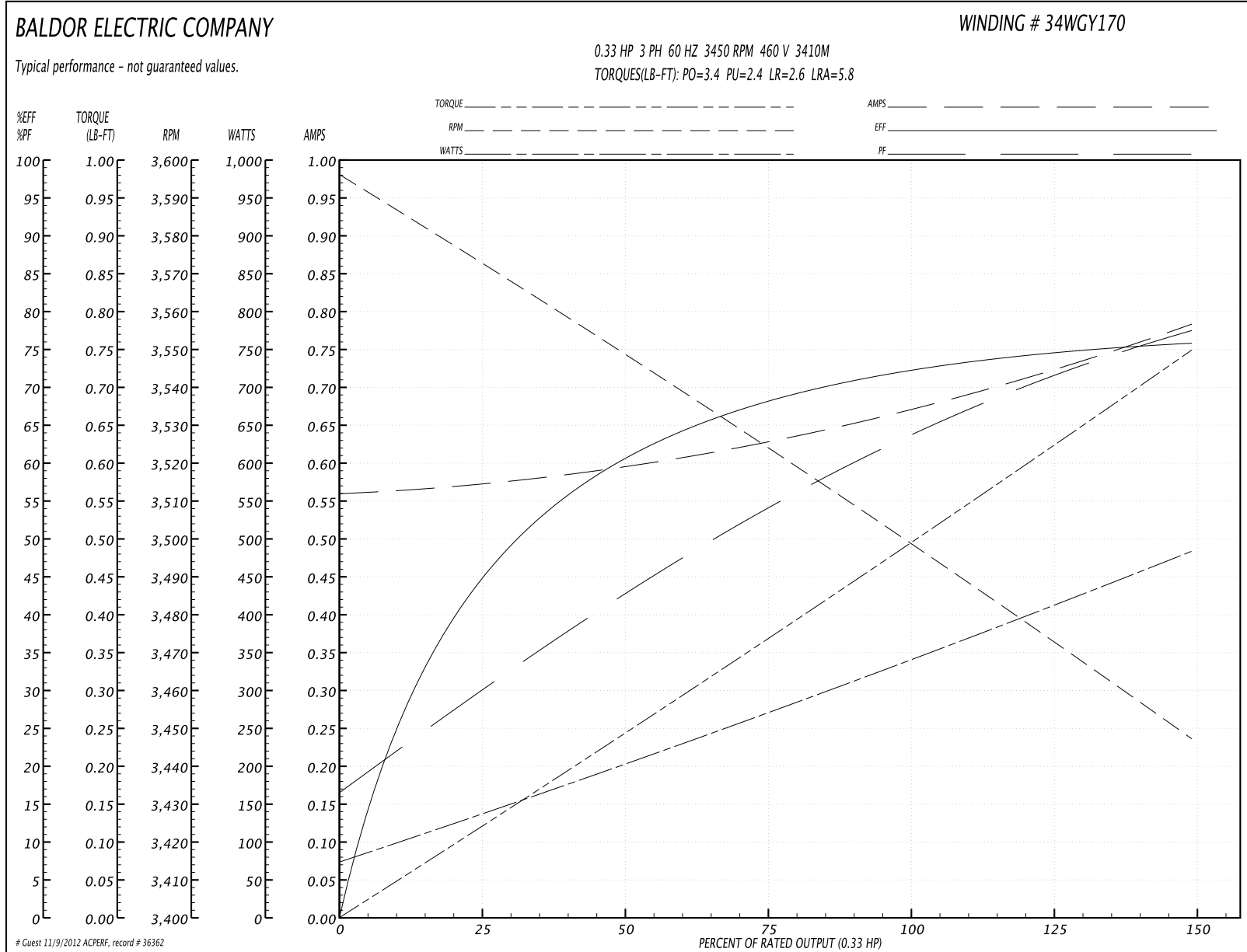
Nameplate NP1256L									
CAT.NO.	CNM3457								
SPEC.	34K008Y170G3								
HP	.33								
VOLTS	208-230/460								
AMP	1.6-1.4/7								
RPM	3450								
FRAME	56C	HZ	60	PH	3				
SER.F.	1.15	CODE	P	DES	B	CLASS	B		
NEMA-NOM-EFF	72	PF	64						
RATING	40C AMB-CONT								
CC				USABLE AT 208V	1.6				
DE	6203	ODE	6203						
ENCL	TENV	SN							

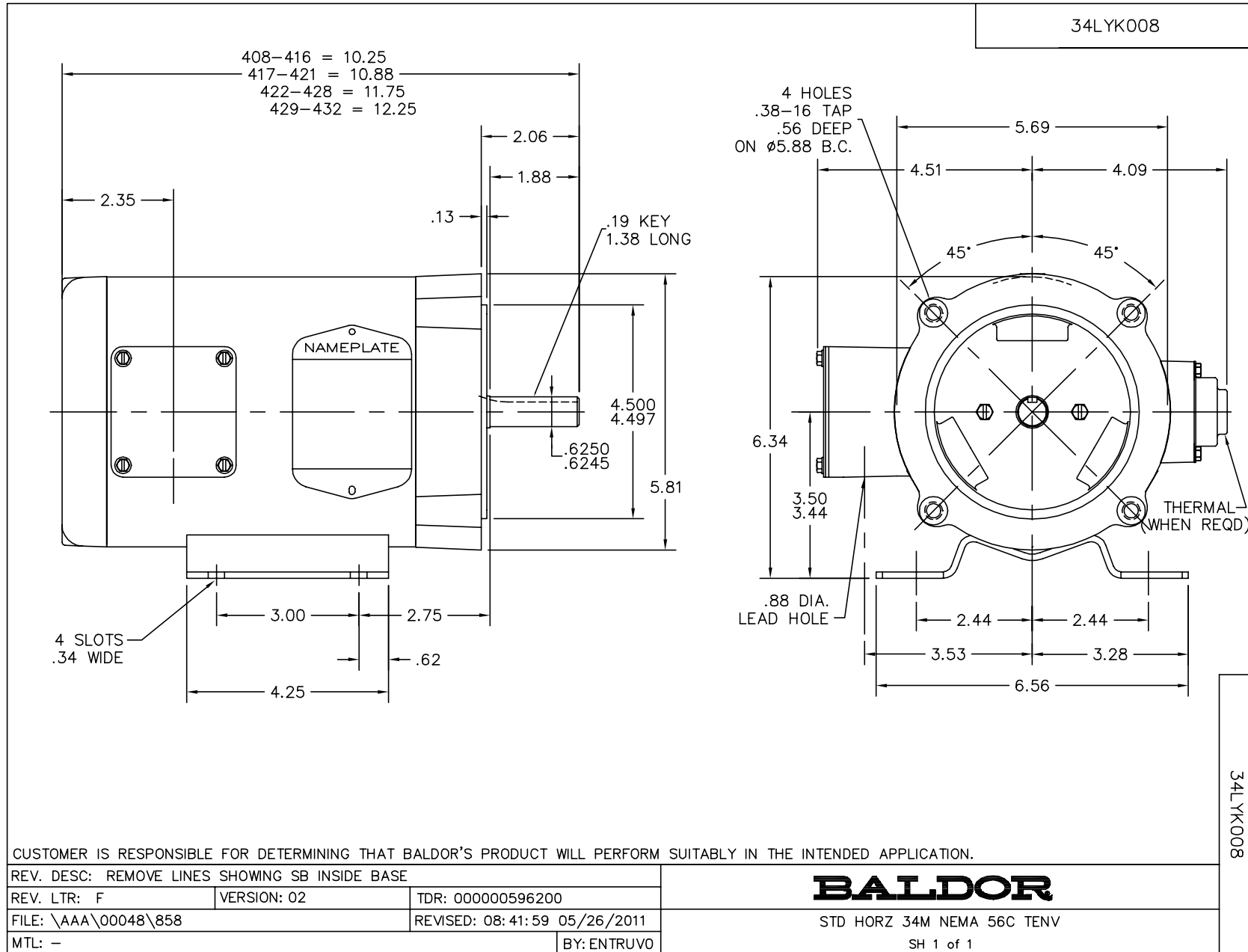
Parts List		
Part Number	Description	Quantity
SA172411	SA 34K008Y170G3	1.000 EA
RA160613	RA 34K008Y170G3	1.000 EA
NS2512A01	INSULATOR, CONDUIT BOX X	1.000 EA
34CB3002A	CB CAST W/.88 DIA HOLE	1.000 EA
34GS1029A01	GASKET, CONDUIT BOX	1.000 EA
51XB1016A07	10-16 X 7/16 HXWSSLD SERTYB	2.000 EA
11XW1032G06	10-32 X .38, TAPTITE II, HEX WSHR SLTD U	1.000 EA
34EP3100A03SP	FR ENDPLATE, MACH	1.000 EA
HW5100A03SP	WAVY WASHER (W1543-017)	1.000 EA
34EP3300A24SP	PU ENDPLATE, MACH	1.000 EA
51XN1032A20	10-32 X 1 1/4 HX WS SL SR	2.000 EA
34CB4517	CB LID 4 MTG HOLES .22 DIA STAMPED, FOR	1.000 EA
34GS1031A01	GASKET, FLAT CONDUIT BOX LID (LEXIDE)	1.000 EA
51XW0832A07	8-32 X .44, TAPTITE II, HEX WSHR SLTD SE	4.000 EA
HW2501D13SP	KEY, 3/16 SQ X 1.375	1.000 EA
HA7000A04	KEY RETAINER 0.625 DIA SHAFTS	1.000 EA
MG1000G27	PAINT- S9282E CHARCOAL GREY	0.014 GA
10XF0440S02	04-40 X 1/8 TYPE F HEX HD STAINLESS STIC	2.000 EA
HA3100A12	THRUBOLT 10-32 X 7.375	4.000 EA
LC0005E01	CONN.DIA./WARNING LABEL (LC0005/LB1119)	1.000 EA
LB1172A01	CUSTOM MTR CARTON LABEL LASER PRINTER	1.000 EA
LB5040	INSTRUCTION TAG, AC & DC	1.000 EA
NP1256L	ALUM UL CSA CC	1.000 EA
34PA1002	PACKING GROUP, BALDOR	1.000 EA

Performance Data at 460V, 60Hz, 0.33HP (Typical performance - Not guaranteed values)

General Characteristics							
Full Load Torque:	0.5 LB-FT			Start Configuration:	DOL		
No-Load Current:	0.56 Amps			Break-Down Torque:	3.4 LB-FT		
Line-line Res. @ 25°C.:	31.3 Ohms A Ph / 0.0 Ohms B Ph			Pull-Up Torque:	2.4 LB-FT		
Temp. Rise @ Rated Load:	57 C			Locked-Rotor Torque:	2.6 LB-FT		
Temp. Rise @ S.F. Load:	62 C			Starting Current:	5.8 Amps		
Load Characteristics							
% of Rated Load	25	50	75	100	125	150	S.F.
Power Factor:	29.0	43.0	53.0	64.0	70.0	78.0	73.0
Efficiency:	43.6	61.9	68.2	72.8	74.4	75.8	75.0
Speed:	3569.0	3544.0	3526.0	3497.0	3477.0	3444.0	3464.0
Line Amperes:	0.57	0.6	0.63	0.68	0.71	0.79	0.742

Performance Graph at 460V, 60Hz, 0.33HP Typical performance - Not guaranteed values

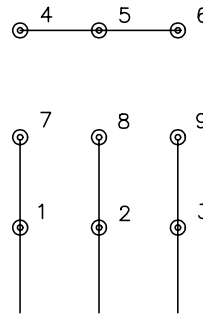




CD0005

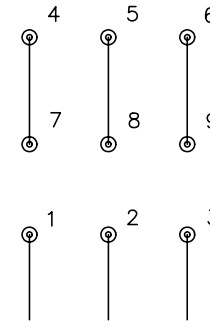


LOW VOLTAGE
(2Y)



LINE

HIGH VOLTAGE
(1Y)



LINE

NOTES:

1. INTERCHANGE ANY TWO LINE LEADS TO REVERSE ROTATION.
2. OPTIONAL THERMOSTATS ARE PROVIDED WHEN SPECIFIED.
3. ACTUAL NUMBER OF INTERNAL PARALLEL CIRCUITS MAY BE A MULTIPLE OF THOSE SHOWN ABOVE.
4. LEAD COLORS ARE OPTIONAL. LEADS MUST ALWAYS BE NUMBERED AS SHOWN.

REV. DESC: REVISE TO SHOW OPTIONAL COLORS			
REV. LTR: E	BY: JLP	REVISED: 01/19/99 10:15	TDR: 0171435
90000		FILE: AAA00005140	MDL: -
		MTL: -	

BALDOR ELECTRIC Co.

3PH, DV, 9 LEADS

CD0005