

# **BALDOR**® • **RELIANCE**

## **Product Information Packet**

# **CSPM3611T**

**3HP, 1800RPM, 3PH, 60HZ, 182TC, 3544M, TEFC, F3**

Copyright © All product information within this document is subject to Baldor Electric Company copyright © protection, unless otherwise noted.

Part Detail							
Revision:	F	Status:	PRD/A	Change #:		Proprietary:	No
Type:	AC	Prod. Type:	3544M	Elec. Spec:	35WGM362	CD Diagram:	
Enclosure:	TEFC	Mfg Plant:		Mech. Spec:	35X060	Layout:	
Frame:	182TC	Mounting:	F3	Poles:	04	Created Date:	07-21-2009
Base:	RG	Rotation:	R	Insulation:	F	Eff. Date:	05-10-2012
Leads:	9#18	Literature:		Elec. Diagram:		Replaced By:	

Nameplate NP1256L									
CAT.NO.	CSPM3611T								
SPEC.	35X060M362G1								
HP	3								
VOLTS	230/460								
AMP	8/4								
RPM	1800								
FRAME	182TC	HZ	60	PH	3				
SER.F.	1.00	CODE	J	DES	-	CLASS	F		
NEMA-NOM-EFF	89.5	PF	89						
RATING	40C AMB-CONT								
CC	USABLE AT 208V								
DE	6206	ODE	6203						
ENCL	TEFC	SN							
	CSPM3611T								

Parts List		
Part Number	Description	Quantity
SA183928	SA 35X060M362G1	1.000 EA
RA171774	RA 35X060M362G1	1.000 EA
NS2512A01	INSULATOR, CONDUIT BOX X	1.000 EA
35CB4007	KOBX, AUTOPHORETIC (REL# 79097-49-C)	1.000 EA
35GS3009	GASKET, KOBX 35CB4006 (411881-15A)	1.000 EA
WD4100A110	CAPLUG,BP-1 1/8, PLUG W/RECESSED HEAD	1.000 EA
51XB1016A05	10-16X5/16HX WA SL SR TYB (F/S)	2.000 EA
11XW1032G06	10-32 X .38, TAPTITE II, HEX WSHR SLTD U	1.000 EA
HW3001B01	003SS CUP WASHER, FOR #8 SCREW	1.000 EA
35EP3100M01	FREP TEFC 203 BRG W/GRSR (RAISED FH PADS	1.000 EA
HW4500A01	1641B(ALEMITE)400 UNIV, GREASE FITT	1.000 EA
HW5100A03SP	WAVY WASHER (W1543-017)	1.000 EA
35EP3304A01	STD PULLEY 182-4TC ENCL 206 BRG W/ GREAS	1.000 EA
HW4500A01	1641B(ALEMITE)400 UNIV, GREASE FITT	1.000 EA
10XN2520A20	1/4-20X 1 1/4 HEX HD X	4.000 EA
HW1001A25	LOCKWASHER 1/4, ZINC PLT .493 OD, .255 I	4.000 EA
51XB1214A16	12-14X1.00 HXWSSLD SERTYB	1.000 EA
35FH4005A84SP	IEC FH W/GRSR, NO DIMPLES W/AUTOPHERETIC	1.000 EA
51XW1032A06	10-32 X .38, TAPTITE II, HEX WSHR SLTD S	3.000 EA
35CB4519	CB LID RAW & UNPRIMED, REL# 79097-50-B	1.000 EA
35GS3019	GASKET, FOR KOBX LID 35CB4519	1.000 EA
51XW0832A07	8-32 X .44, TAPTITE II, HEX WSHR SLTD SE	4.000 EA
HW2501E16	3KEY, 1/4 SQ X 1.750	1.000 EA
HA7000A02	KEY RETAINER RING, 1 1/8 DIA, 1 3/8 DIA	1.000 EA

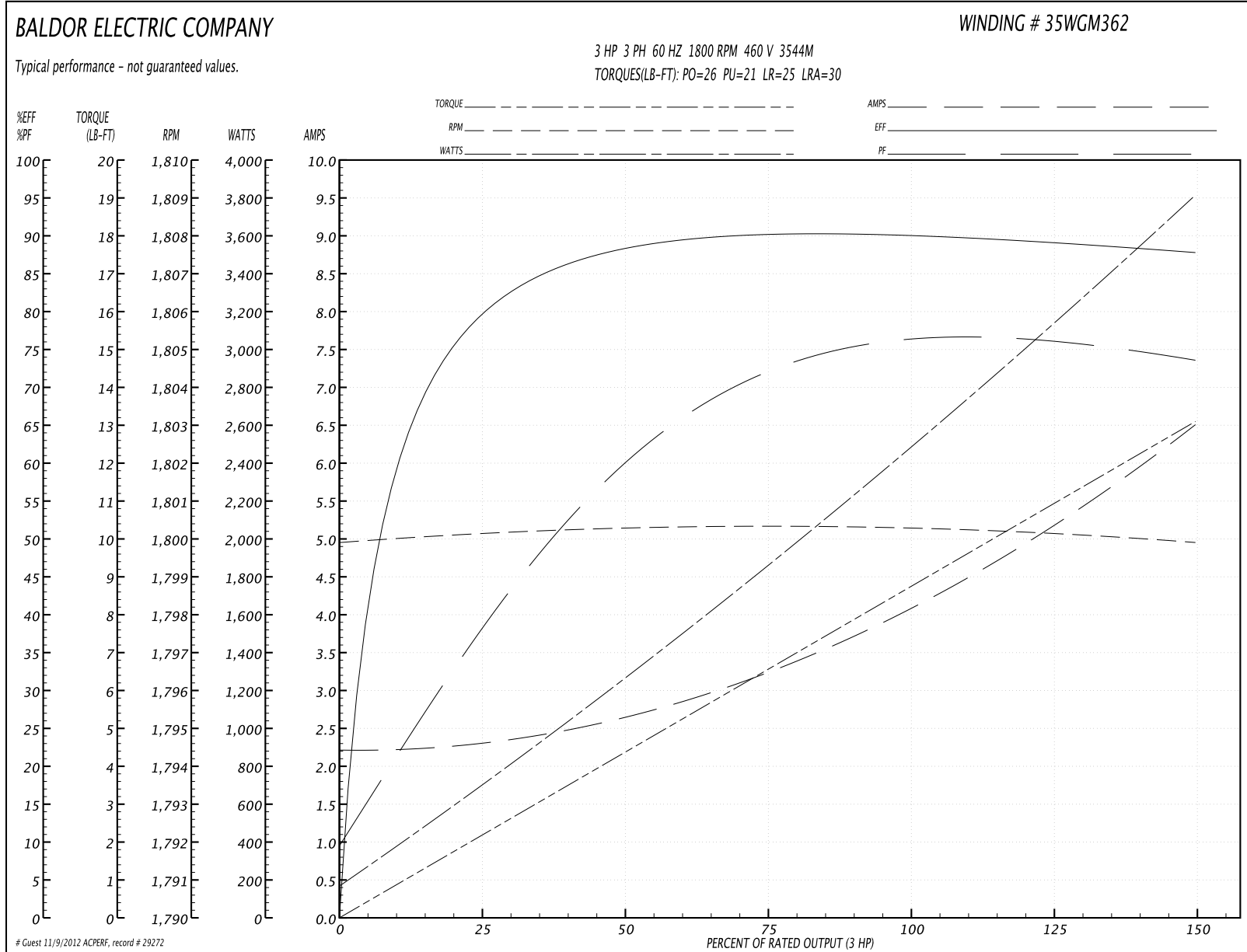
Parts List (continued)		
Part Number	Description	Quantity
85XU0407S04	4X1/4 U DRIVE PIN STAINLESS	2.000 EA
MJ1000A75	GREASE, POLYREX EM EXXON	0.050 LB
35FN3002A05SP	EXFN, PLASTIC, 6.376 OD, .638 ID	1.000 EA
MG1025N19	PAINT, 778.50 WILKO, RELIANCE ELEC GREEN	0.017 GA
HA3100A24	THRUBOLT 10-32 X 10.625	4.000 EA
LC0005E01	CONN.DIA./WARNING LABEL (LC0005/LB1119)	1.000 EA
LB1125C01	STD (STOCK) CARTON LABEL BALDOR WITH FLA	1.000 EA
NP1256L	ALUM UL CSA CC	1.000 EA
36PA1000	PACK GROUP W/LB5001	1.000 EA

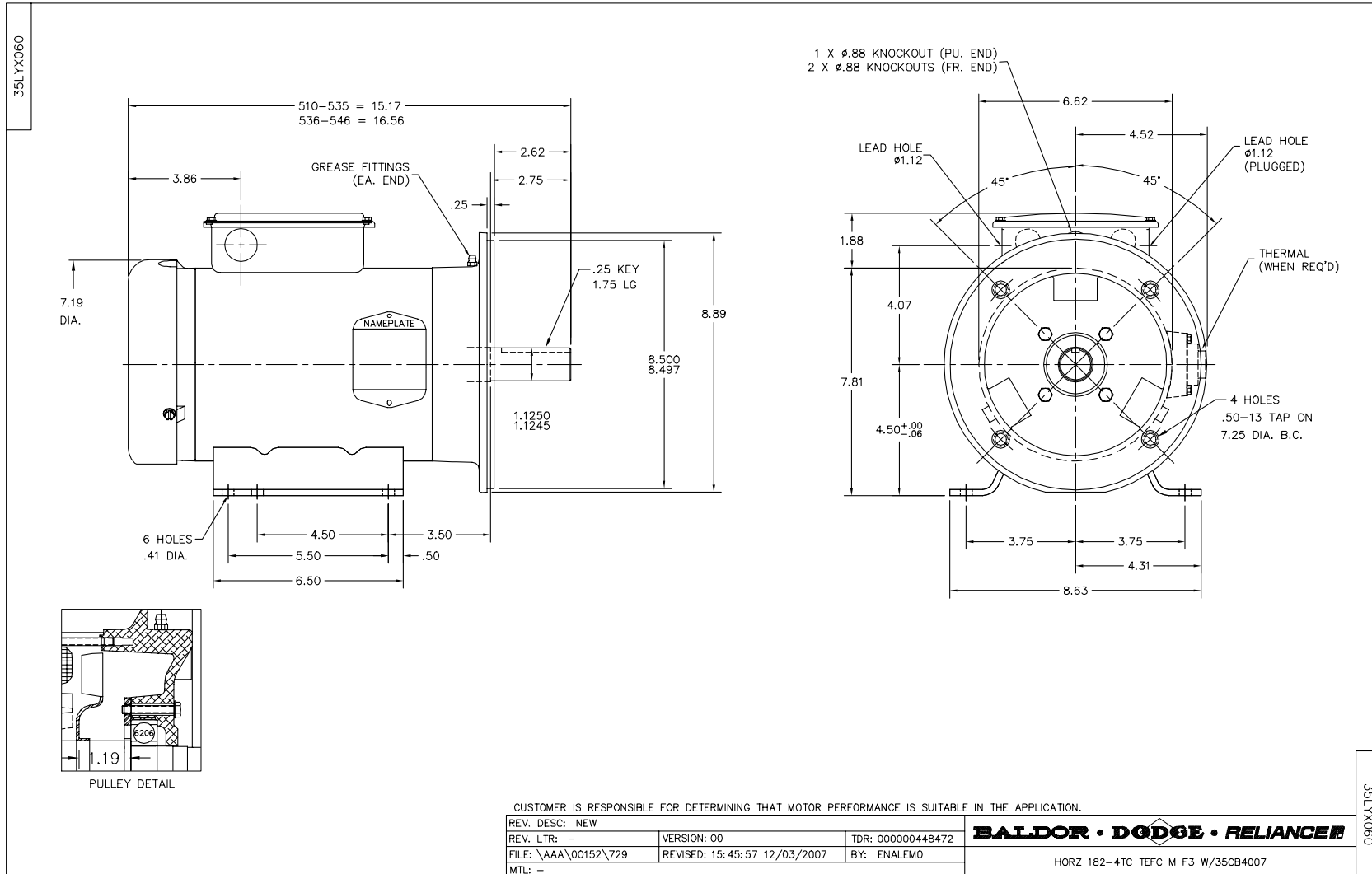
**Performance Data at 460V, 60Hz, 3.0HP (Typical performance - Not guaranteed values)**

General Characteristics			
Full Load Torque:	8.74 LB-FT	Start Configuration:	DOL
No-Load Current:	2.25 Amps	Break-Down Torque:	26.0 LB-FT
Line-line Res. @ 25°C.:	4.4125 Ohms A Ph / 0.0 Ohms B Ph	Pull-Up Torque:	21.0 LB-FT
Temp. Rise @ Rated Load:	53 C	Locked-Rotor Torque:	25.0 LB-FT
Temp. Rise @ S.F. Load:		Starting Current:	30.0 Amps

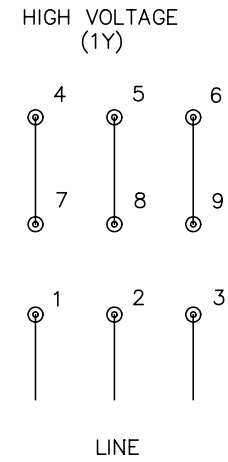
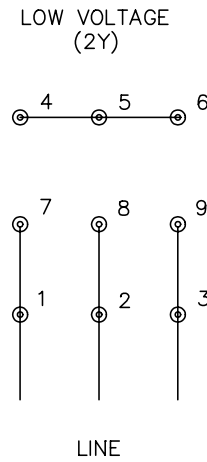
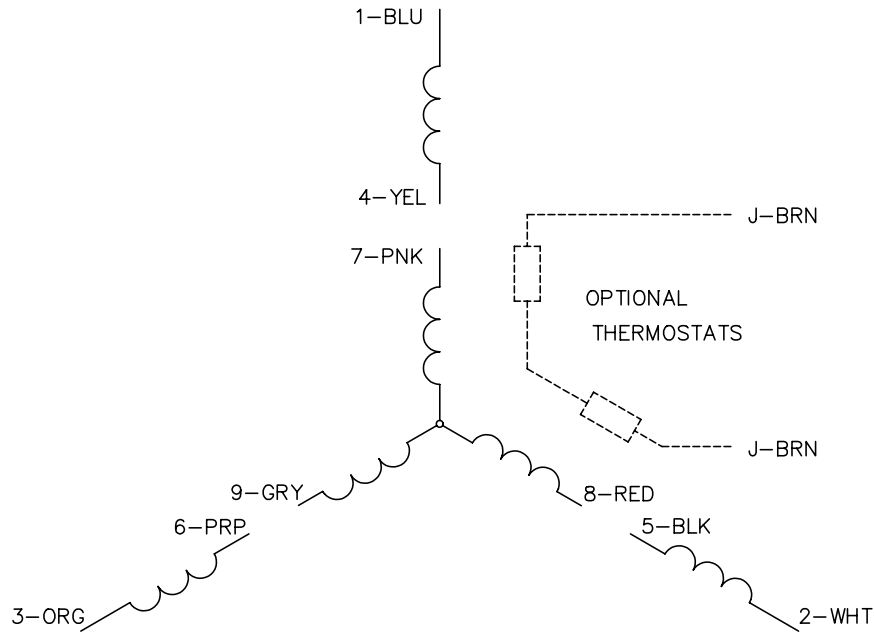
Load Characteristics							
% of Rated Load	25	50	75	100	125	150	S.F.
Power Factor:	39.0	61.0	72.0	76.0	76.0	74.0	0.0
Efficiency:	79.3	87.8	90.1	90.3	89.2	87.6	0.0
Speed:	1800.0	1800.0	1801.0	1800.0	1800.0	1800.0	0.0
Line Amperes:	2.25	2.63	3.27	4.11	5.2	6.5	0.0

Performance Graph at 460V, 60Hz, 3.0HP Typical performance - Not guaranteed values





CD0005



NOTES:

1. INTERCHANGE ANY TWO LINE LEADS TO REVERSE ROTATION.
2. OPTIONAL THERMOSTATS ARE PROVIDED WHEN SPECIFIED.
3. ACTUAL NUMBER OF INTERNAL PARALLEL CIRCUITS MAY BE A MULTIPLE OF THOSE SHOWN ABOVE.
4. LEAD COLORS ARE OPTIONAL. LEADS MUST ALWAYS BE NUMBERED AS SHOWN.

REV. DESC: REVISE TO SHOW OPTIONAL COLORS			
REV. LTR: E	BY: JLP	REVISED: 01/19/99 10:15	TDR: 0171435
90000		FILE: AAA00005140	MDL: -
		MTL: -	

**BALDOR ELECTRIC Co.**

3PH, DV, 9 LEADS

CD0005