

BALDOR® • **RELIANCE**

Product Information Packet

CTM1760T

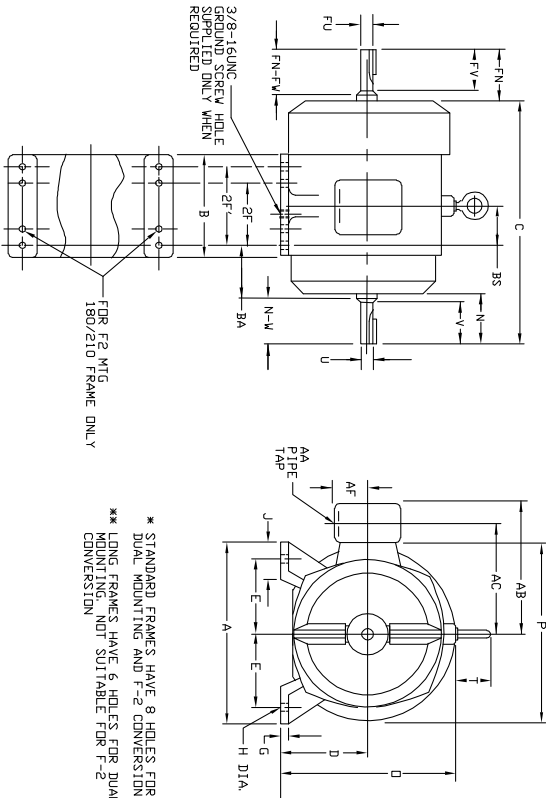
10HP,1755RPM,3PH,60HZ,215T,TEFC,FOOT,

Copyright © All product information within this document is subject to Baldor Electric Company copyright © protection, unless otherwise noted.

Part Detail			
Model Number:	CTM1760T	Environment:	Harsh / Mill & Chemical
Voltage:	460/ 460	HP:	10/2.5
RPM:	1755/875	Efficiency:	Premium (XE)
Phase:	3	Frequency:	60
Inverter Duty:	*	Enclosure:	TEFC
Frame Group:	210	Frame Size:	L215T
Features:	Cooling Tower Duty	Mounting:	Foot Mounted
Service Factor:	1.15	Enclosure Group:	TEFC
Weight:	185	Price Symbol:	L1
Speed Range:		Insulation Class:	F
Nema Design:		Encl. Enhancement:	P21G6821
Catalog Page:	M-41,B	Dimension Sheet:	613051-501
Connection Diagram:	416820-196	Electric Design:	E01524-B-H001
Single HP:	10	Get Notes:	Cooling Tower Duty
Revision:		Instruction Manual:	MN408
Application:	2 Speed 1Wdg. Variable Torque	Epact:	?
Scaled Drawing:	A84211	Obsolete:	N
Last Data Source:	RGG2,MADD	Bearing Type:	
Electrical Type:	PM	Mounting Pos.:	
Ambient:	40	Duty:	CONT
Amps:	12.0/4.40	Nominal Eff.:	87.5
Kva Code:	K	Power Factor:	
Poles:	04	Literature:	

613051-501

DUTY MASTER ALTERNATING CURRENT MOTORS
 SQUIRREL-CAGE INDUCTION
 X/T CONSTRUCTION
 ENCLOSURE: TOTALLY ENCLOSED
 MOUNTING: FOOT
 COOLING: FAN COOLED
 FRAMES 182T THRU 215T



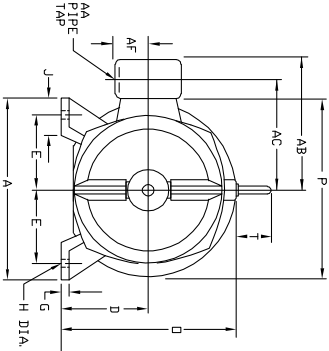
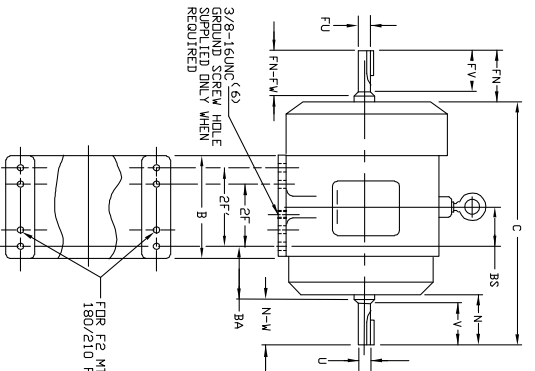
* STANDARD FRAMES HAVE 8 HOLES FOR DUAL MOUNTING AND F-2 CONVERSION
 ** LONG FRAMES HAVE 6 HOLES FOR DUAL MOUNTING NOT SUITABLE FOR F-2 CONVERSION

DIMENSIONS ARE IN INCHES. SEE SHT 2 FOR DIMENSIONS IN MILLIMETERS.

FRAME	A	D(3)	E	G	H	J	O	P	T	CAST IRON TERMINAL BOX	CAST IRON TERMINAL BOX (S)	ONE SIZE LARGER
182T-184T	184T	184T	184T	184T	184T	184T	184T	184T	184T	AA	AC	AF
182T-184T	9.00	4.50	3.75	.44	1.75	9.88	9.50	2.00	1	8.44	6.69	2.12
184T	10.50	5.25	4.25	.44	2.00	11.25	11.00	2.00	1	9.31	7.58	2.12
184T	11.75	5.88	4.75	.44	2.25	12.50	12.25	2.00	1	10.18	8.44	2.12
184T	13.00	6.50	5.25	.44	2.50	13.75	13.50	2.00	1	11.05	9.31	2.12
184T	14.25	7.12	5.88	.44	2.75	15.00	14.75	2.00	1	11.92	10.18	2.12
184T	15.50	7.75	6.50	.44	3.00	16.25	16.00	2.00	1	12.79	11.05	2.12
184T	16.75	8.38	7.12	.44	3.25	17.50	17.25	2.00	1	13.66	11.92	2.12
184T	18.00	9.00	7.75	.44	3.50	18.75	18.50	2.00	1	14.53	12.79	2.12
184T	19.25	9.62	8.38	.44	3.75	20.00	19.75	2.00	1	15.40	13.66	2.12
184T	20.50	10.25	9.00	.44	4.00	21.25	21.00	2.00	1	16.27	14.53	2.12
184T	21.75	10.88	9.62	.44	4.25	22.50	22.25	2.00	1	17.14	15.40	2.12
184T	23.00	11.50	10.25	.44	4.50	23.75	23.50	2.00	1	18.01	16.27	2.12
184T	24.25	12.12	10.88	.44	4.75	25.00	24.75	2.00	1	18.88	17.14	2.12
184T	25.50	12.75	11.50	.44	5.00	26.25	26.00	2.00	1	19.75	18.01	2.12
184T	26.75	13.38	12.12	.44	5.25	27.50	27.25	2.00	1	20.62	18.88	2.12
184T	28.00	14.00	12.75	.44	5.50	28.75	28.50	2.00	1	21.49	19.75	2.12
184T	29.25	14.62	13.38	.44	5.75	30.00	29.75	2.00	1	22.36	20.62	2.12
184T	30.50	15.25	14.00	.44	6.00	31.25	31.00	2.00	1	23.23	21.49	2.12
184T	31.75	15.88	14.62	.44	6.25	32.50	32.25	2.00	1	24.10	22.36	2.12
184T	33.00	16.50	15.25	.44	6.50	33.75	33.50	2.00	1	24.97	23.23	2.12
184T	34.25	17.12	15.88	.44	6.75	35.00	34.75	2.00	1	25.84	24.10	2.12
184T	35.50	17.75	16.50	.44	7.00	36.25	36.00	2.00	1	26.71	24.97	2.12
184T	36.75	18.38	17.12	.44	7.25	37.50	37.25	2.00	1	27.58	25.84	2.12
184T	38.00	19.00	17.75	.44	7.50	38.75	38.50	2.00	1	28.45	26.71	2.12
184T	39.25	19.62	18.38	.44	7.75	40.00	39.75	2.00	1	29.32	27.58	2.12
184T	40.50	20.25	19.00	.44	8.00	41.25	41.00	2.00	1	30.19	28.45	2.12
184T	41.75	20.88	19.62	.44	8.25	42.50	42.25	2.00	1	31.06	29.32	2.12
184T	43.00	21.50	20.25	.44	8.50	43.75	43.50	2.00	1	31.93	30.19	2.12
184T	44.25	22.12	20.88	.44	8.75	45.00	44.75	2.00	1	32.80	31.06	2.12
184T	45.50	22.75	21.50	.44	9.00	46.25	46.00	2.00	1	33.67	31.93	2.12
184T	46.75	23.38	22.12	.44	9.25	47.50	47.25	2.00	1	34.54	32.80	2.12
184T	48.00	24.00	22.75	.44	9.50	48.75	48.50	2.00	1	35.41	33.67	2.12
184T	49.25	24.62	23.38	.44	9.75	50.00	49.75	2.00	1	36.28	34.54	2.12
184T	50.50	25.25	24.00	.44	10.00	51.25	51.00	2.00	1	37.15	35.41	2.12
184T	51.75	25.88	24.62	.44	10.25	52.50	52.25	2.00	1	38.02	36.28	2.12
184T	53.00	26.50	25.25	.44	10.50	53.75	53.50	2.00	1	38.89	37.15	2.12
184T	54.25	27.12	25.88	.44	10.75	55.00	54.75	2.00	1	39.76	38.02	2.12
184T	55.50	27.75	26.50	.44	11.00	56.25	56.00	2.00	1	40.63	38.89	2.12
184T	56.75	28.38	27.12	.44	11.25	57.50	57.25	2.00	1	41.50	39.76	2.12
184T	58.00	29.00	27.75	.44	11.50	58.75	58.50	2.00	1	42.37	40.63	2.12
184T	59.25	29.62	28.38	.44	11.75	60.00	59.75	2.00	1	43.24	41.50	2.12
184T	60.50	30.25	29.00	.44	12.00	61.25	61.00	2.00	1	44.11	42.37	2.12
184T	61.75	30.88	29.62	.44	12.25	62.50	62.25	2.00	1	44.98	43.24	2.12
184T	63.00	31.50	30.25	.44	12.50	63.75	63.50	2.00	1	45.85	44.11	2.12
184T	64.25	32.12	30.88	.44	12.75	65.00	64.75	2.00	1	46.72	44.98	2.12
184T	65.50	32.75	31.50	.44	13.00	66.25	66.00	2.00	1	47.59	45.85	2.12
184T	66.75	33.38	32.12	.44	13.25	67.50	67.25	2.00	1	48.46	46.72	2.12
184T	68.00	34.00	32.75	.44	13.50	68.75	68.50	2.00	1	49.33	47.59	2.12
184T	69.25	34.62	33.38	.44	13.75	70.00	69.75	2.00	1	50.20	48.46	2.12
184T	70.50	35.25	34.00	.44	14.00	71.25	71.00	2.00	1	51.07	49.33	2.12
184T	71.75	35.88	34.62	.44	14.25	72.50	72.25	2.00	1	51.94	50.20	2.12
184T	73.00	36.50	35.25	.44	14.50	73.75	73.50	2.00	1	52.81	51.07	2.12
184T	74.25	37.12	35.88	.44	14.75	75.00	74.75	2.00	1	53.68	51.94	2.12
184T	75.50	37.75	36.50	.44	15.00	76.25	76.00	2.00	1	54.55	52.81	2.12
184T	76.75	38.38	37.12	.44	15.25	77.50	77.25	2.00	1	55.42	53.68	2.12
184T	78.00	39.00	37.75	.44	15.50	78.75	78.50	2.00	1	56.29	54.55	2.12
184T	79.25	39.62	38.38	.44	15.75	80.00	79.75	2.00	1	57.16	55.42	2.12
184T	80.50	40.25	39.00	.44	16.00	81.25	81.00	2.00	1	58.03	56.29	2.12
184T	81.75	40.88	39.62	.44	16.25	82.50	82.25	2.00	1	58.90	57.16	2.12
184T	83.00	41.50	40.25	.44	16.50	83.75	83.50	2.00	1	59.77	58.03	2.12
184T	84.25	42.12	40.88	.44	16.75	85.00	84.75	2.00	1	60.64	58.90	2.12
184T	85.50	42.75	41.50	.44	17.00	86.25	86.00	2.00	1	61.51	59.77	2.12
184T	86.75	43.38	42.12	.44	17.25	87.50	87.25	2.00	1	62.38	60.64	2.12
184T	88.00	44.00	42.75	.44	17.50	88.75	88.50	2.00	1	63.25	61.51	2.12
184T	89.25	44.62	43.38	.44	17.75	90.00	89.75	2.00	1	64.12	62.38	2.12
184T	90.50	45.25	44.00	.44	18.00	91.25	91.00	2.00	1	64.99	63.25	2.12
184T	91.75	45.88	44.62	.44	18.25	92.50	92.25	2.00	1	65.86	64.12	2.12
184T	93.00	46.50	45.25	.44	18.50	93.75	93.50	2.00	1	66.73	64.99	2.12
184T	94.25	47.12	45.88	.44	18.75	95.00	94.75	2.00	1	67.60	65.86	2.12
184T	95.50	47.75	46.50	.44	19.00	96.25	96.00	2.00	1	68.47	66.73	2.12
184T	96.75	48.38	47.12	.44	19.25	97.50	97.25	2.00	1	69.34	67.60	2.12
184T	98.00	49.00	47.75	.44	19.50	98.75	98.50	2.00	1	70.21	68.47	2.12
184T	99.25	49.62	48.38	.44	19.75	100.00	99.75	2.00	1	71.08	69.34	2.12
184T	100.50	50.25	49.00	.44	20.00	101.25	101.00	2.00	1	71.95	70.21	2.12
184T	101.75	50.88	49.62	.44	20.25	102.50	102.25	2.00	1	72.82	71.08	2.12
184T	103.00	51.50	50.25	.44	20.50	103.75	103.50	2.00	1	73.69	71.95	2.12
184T	104.25	52.12	50.88	.44	20.75	105.00	104.75	2.00	1	74.56	72.82	2.12
184T	105.50	52.75	51.50	.44	21.00	106.25	106.00	2.00	1	75.43	73.69	2.12
184T	106.75	53.38	52.12	.44	21.25	107.50	107.25	2.00	1	76.30	74.56	2.12
184T	108.00	54.00	52.75	.44	21.50	108.75	108.50	2.00	1	77.17	75.43	2.12
184T	109.25	54.62	53.38	.44	21.75	110.00	109.75	2.00	1	78.04	76.30	2.12
184T	110.50	55.25	54.00	.44	22.00	111.25	111.00	2.00	1	78.91	77.17	2.12
184T	111.75	55.88	54.62	.44	22.25	112						

613051-501-SH2

DUTY MASTER ALTERNATING CURRENT MOTORS
 SQUIREL-CAGE INDUCTION
 XT CONSTRUCTION
 ENCLOSURE: TOTALLY ENCLOSED
 MOUNTING: FOOT
 COOLING: FAN COOLED
 FRAMES 182T THRU 215T



DIMENSIONS ARE IN MILLIMETERS. SEE SHIT 1 FOR DIMENSIONS IN INCHES.

FRAME SIZE	DIMENSIONS IN MILLIMETERS										DIMENSIONS IN INCHES									
	A	B	C	BS	FN	FN-FV	FN-FW	FU	GROUND SCREW HOLE	3/8-16UNC (S)	A	B	C	BS	FN	FN-FV	FN-FW	FU	GROUND SCREW HOLE	3/8-16UNC (S)
180T	1827	396	769.9	1778	114.3	139.7	76.2	69.9	28.57	63.5	6.35	44.5	79.2	57.2	222.22	50.8	4.78	35.1	4.1	
182T	1827	434	888.9	2159	114.3	139.7	76.2	69.9	28.57	63.5	6.35	44.5	79.2	57.2	222.22	50.8	4.78	35.1	4.1	
210T	2151	490	988.9	2159	138.7	177.8	91.9	85.9	34.92	79.2	7.92	60.5	95.3	69.9	28.57	63.5	6.35	44.5	6.6	
215T	2151	512	1001	2316	138.7	177.8	91.9	85.9	34.92	79.2	7.92	60.5	95.3	69.9	28.57	63.5	6.35	44.5	7.9	

* STANDARD FRAMES HAVE 8 HOLES FOR DUAL MOUNTING AND F-2 CONVERSION
 ** LONG FRAMES HAVE 6 HOLES FOR DUAL MOUNTING. NOT SUITABLE FOR F-2 CONVERSION

CUSTOMER IS RESPONSIBLE FOR DETERMINING THAT BALDOR'S PRODUCT WILL PERFORM SUITABLY IN THE INTENDED APPLICATION.

REV. DESC: LOADED TO BUS	VERSION: 01	TDR: 000000561165
REV. LTR: A	REVISED: 11:43:38 10/18/2010	BY: RAGRA
FILE: \RAG\00012\230		
MTL: -		

BALDOR

DIM SHEET TEFC XT 182T-215T
 SH 1 of 1

- (1) SPECIAL DIMENSIONS ON THIS LINE
- (2) 'U' AND 'FU' MAY VARY + 0000, - 0127 mm
- (3) 'D' MAY VARY + 00, - 76 mm
- (4) MOTOR WEIGHTS MAY VARY BY 15% FOR NON-STANDARD RATINGS.
- (5) ONE SIZE LARGER TERMINAL BOX SUPPLIED ONLY WHEN SPECIFIED.
- (6) DIMENSIONS ARE IN INCHES.

STANDARD DOUBLE SHAFT SUPPLIED ONLY WHEN SPECIFIED.
 TERMINAL BOX LOCATED ON OPPOSITE SIDE WHEN F-2, W-1, W-4, W-5, W-7 OR C-1 MOUNTING IS SPECIFIED.
 MAXIMUM PERMISSIBLE SHAFT RUNOUT WHEN MEASURED AT END OF STANDARD SHAFT EXTENSION IS .050 mm T. I. R. IF MOUNTING CLEARANCE DETAILS ARE REQUIRED, CONSULT FACTORY.

FRAME: _____ TYPE: _____ CERTIFIED FOR: _____
 ORDER: _____ ITEM: _____ HP: _____ RPM: _____ PH: _____ HZ: _____ VOLTS: _____
 SALES ORDER: _____ APPROVED BY: _____ DATE: _____

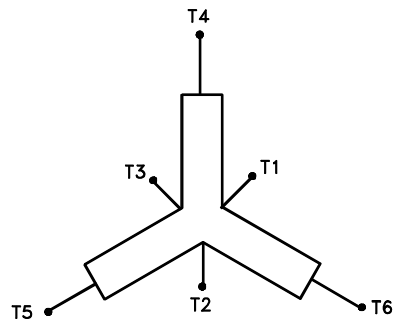
ZHS-105-150C19

416820-196

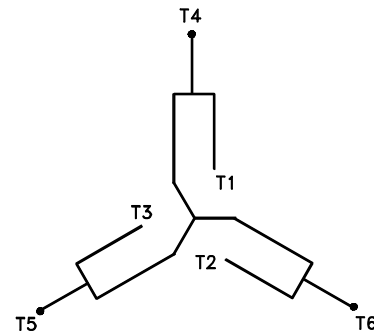
A-C MOTOR
CONNECTION DIAGRAM

SINGLE WINDING

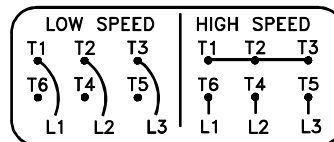
MULTI-SPEEDS



CONSTANT TORQUE



VARIABLE TORQUE



(N. P. 1634-DE)

416820-196

REV. DESC: LOADED TO BUS, C/R 395572		
REV. LTR: -	VERSION: 00	TDR: 000000538207
FILE: \MGA\00000\767	REVISED: 09:43:37 05/03/2010	
MTL: -	BY: RAGRA	

BALDOR

CONN DIAG - SINGLE WINDING, MULTI-SPEEDS

SH 1 of 1

REL. S.O.	FRAME	HP	TYPE	PHASE/HERTZ	RPM	VOLTS
	L215T	10/2.5	PM	3/60	1755/875	460
AMPS	DUTY	AMB °C/ INSUL.	S.F.	NEMA DESIGN	CODE LETTER	ENCL.
12.0/4.4	CONT	40/F	1.15	-	K	TEFC
E/S	ROTOR	TEST S.O.	TEST DATE	STATOR RES. @25 °C (BETWEEN LINES)		
584812	418425033AE	---	---	1.36/5.44		


PERFORMANCE

LOAD	HP	AMPERES	RPM	POWER FACTOR %	EFFICIENCY %
NO LOAD	0 / 0	4.4 / 2.7	1800 / 900	8.34 / 7.04	0 / 0
1/4	2.51 / .63	5.3 / 2.9	1791 / 894	52.3 / 26.8	85.0 / 74.4
2/4	5.00 / 1.25	7.0 / 3.3	1781 / 889	74.3 / 42.8	89.5 / 83.1
3/4	7.50 / 1.87	9.4 / 3.8	1771 / 882	83.4 / 54.3	90.0 / 85.3
4/4	10.0 / 2.50	12.0 / 4.4	1760 / 875	87.5 / 62.3	89.3 / 85.3
5/4	12.5 / 3.12	14.8 / 5.1	1748 / 867	89.7 / 68.5	88.0 / 84.3

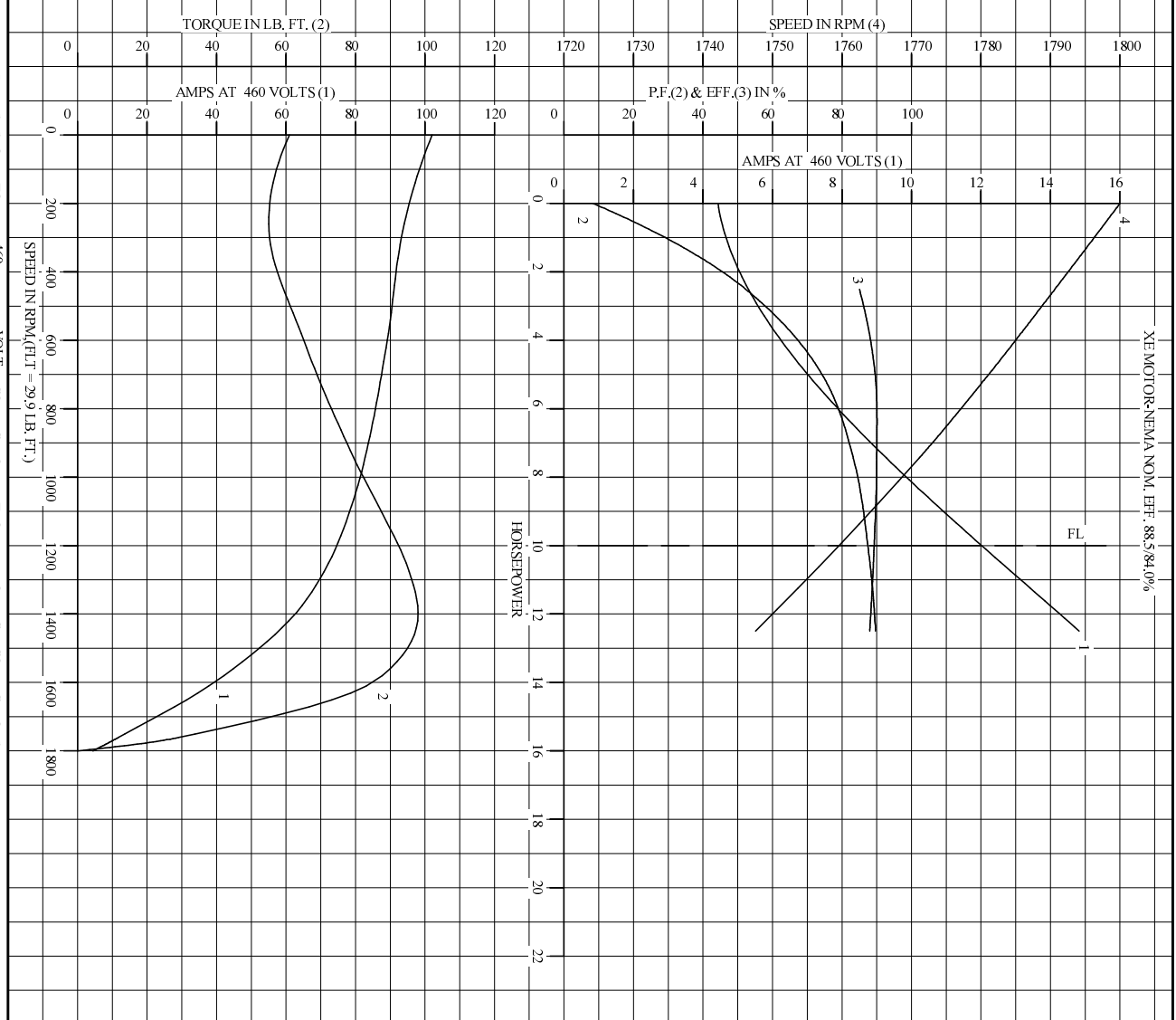
SPEED TORQUE

	RPM	TORQUE % FULL LOAD	TORQUE LB.-FT.	AMPERES
LOCKED ROTOR	0 / 0	204 / 117	61.0 / 17.5	102 / 19.0
PULL UP	260 / 150	184 / 113	55.0 / 17.0	94.0 / 18.3
BREAKDOWN	1400 / 760	328 / 227	98.0 / 34.0	62.6 / 12.3
FULL LOAD	1760 / 875	100 / 100	29.9 / 15.0	12.0 / 4.4

AMPERES SHOWN FOR 460. VOLT CONNECTION. IF OTHER VOLTAGE CONNECTIONS ARE AVAILABLE, THE AMPERES WILL VARY INVERSELY WITH THE RATED VOLTAGE
 REMARKS: XE MOTOR-NEMA NOM. EFF. 88.5/84.0%

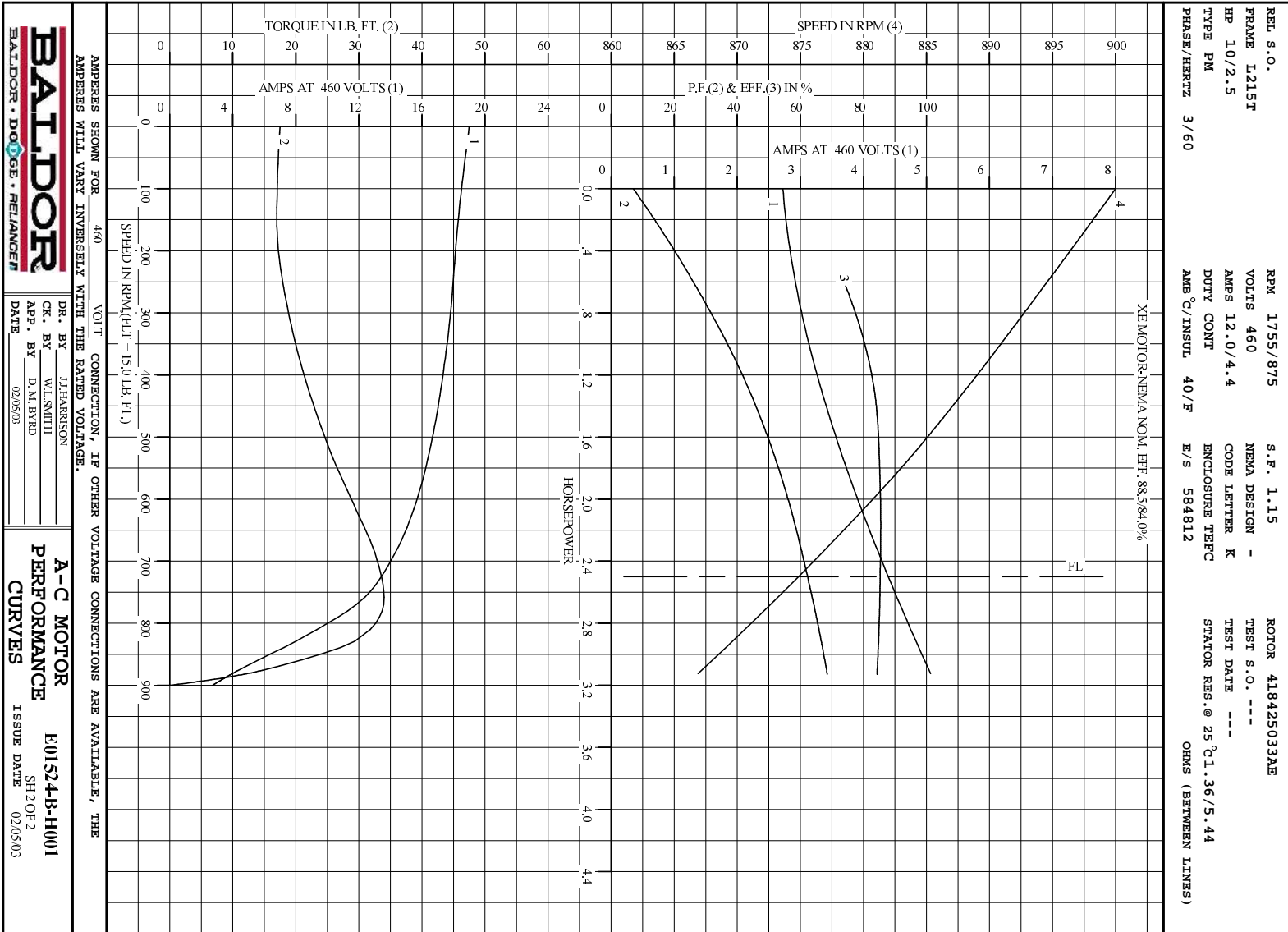
	DR. BY J.J. HARRISON	A-C MOTOR PERFORMANCE DATA E01524-B-H001 ISSUE DATE 02/05/03
	CK. BY W.H. SMITH APP. BY D.M. BYRD DATE 02/05/03	

RET. S.O. _____ RPM 1755/875 S.F. 1.15 ROTOR 418425033AE
 FRAME L215T VOLTS 460 NEMA DESIGN - TEST S.O. ---
 HP 10/2.5 AMPS 12.0/4.4 CODE LETTER K TEST DATE ---
 TYPE PM DUTY CONT ENCLOSURE TEFC STATOR RES. @ 25 °C 1.36/5.44
 PHASE/HERTZ 3/60 AMB °C/INSUL 40/F E/S 584812 OHMS (BETWEEN LINES)



AMPERS SHOWN FOR 460 VOLTS CONNECTION, IF OTHER VOLTAGE CONNECTIONS ARE AVAILABLE, THE AMPERS WILL VARY INVERSELY WITH THE RATED VOLTAGE.
 TORQUE IN LB. FT. (2)
 AMPS AT 460 VOLTS (1)
 SPEED IN RPM (4)
 P.F. (2) & EFF. (3) IN %
 AMPERS AT 460 VOLTS (1)
 SPEED IN RPM (PLT = 29.9 LB. FT.)
 HORSEPOWER
 BALDOR • DOUGLASS • RELIANCE
 DR. BY J. HARRISON
 CK. BY W. L. SMITH
 APP. BY D. M. BRAD
 DATE 02/05/03
 A-C MOTOR PERFORMANCE CURVES E01524B-H001 SH 1 OF 2 ISSUE DATE 02/05/03

Printed on 11/7/07 17:55 @ usmgchengdev1



AMPERES SHOWN FOR 460 VOLT CONNECTION, IF OTHER VOLTAGE CONNECTIONS ARE AVAILABLE, THE AMPERES WILL VARY INVERSELY WITH THE RATED VOLTAGE.



DR. BY J.HARRISON
 CK. BY W.L.SMITH
 APP. BY D.M.BYRD
 DATE 02/05/03

A-C MOTOR PERFORMANCE CURVES
 E01524B-H001
 SH20F2
 ISSUE DATE 02/05/03

Printed on 11/7/07 17:55 @ usmgchengdev1