

# **BALDOR® • RELIANCE**

## **Product Information Packet**

# **CTM1766T**

**50HP, 1775RPM, 3PH, 60HZ, 326T, TEFC, FOOT,**

Copyright © All product information within this document is subject to Baldor Electric Company copyright © protection, unless otherwise noted.

Part Detail							
Revision:	C	Status:	PRD/A	Change #:		Proprietary:	No
Type:	AC	Prod. Type:	1272M	Elec. Spec:	12WGX198	CD Diagram:	
Enclosure:	TEFC	Mfg Plant:		Mech. Spec:	12F707	Layout:	
Frame:	326T	Mounting:	F1	Poles:	04/08	Created Date:	10-29-2009
Base:	RG	Rotation:	R	Insulation:	F	Eff. Date:	01-19-2012
Leads:	6#8	Literature:		Elec. Diagram:		Replaced By:	

Nameplate NP2178E									
CAT.NO.	CTM1766T								
SPEC.	12F707X198G1								
HP	50/12.5								
VOLTS	460								
AMP	63/28								
RPM	1760/870								
FRAME	326T	HZ			60	PH	3		
SER.F.	1.15	CODE			J	DES	B	CL	F
NEMA-NOM-EFF	PF								
RATING	40C AMB-CONT								
CC	USABLE AT 208V								
DE	6312	ODE			6312				
ENCL	TEFC	SN							

Parts List		
Part Number	Description	Quantity
SA187246	SA 12F707X198G1	1.000 EA
RA175014	RA 12F707X198G1	1.000 EA
S/P107-000-004	SUPER-E(284 FR. & UP)-CL PLANT,POLYREX E	1.000 EA
10CB1000A04P	CONDUIT BOX, MACH W/EPOXY PRIMER	1.000 EA
09GS1010	GASKET, DWG, LEADWIRE SEPERATOR	1.000 EA
10XN3118K16	5/16-18 X 1" GRADE #5, STL, ZINC PLATE	4.000 EA
HW1001A31	LOCKWASHER 5/16, ZINC PLT.591 OD, .319 I	4.000 EA
WD1000B16	KPA-4C BURNDY TERMINAL	1.000 EA
10XN2520K08	1/4-20 X .50 GRADE #5, STL, ZINC PLATE	1.000 EA
HW1001A25	LOCKWASHER 1/4, ZINC PLT .493 OD, .255 I	1.000 EA
HA4017A10	1/8X1.25 GREASE EXT (F/S)	1.000 EA
HA4024A02	1/8 DOUBLE FEMALE SS CPLG, MCM #4464K351	1.000 EA
HA4017A01	1/8 X 4 GREASE EXT (F/S)	1.000 EA
HA3400A13SP	STUD, 1/2-13 X 7" WELKER	4.000 EA
HW4600A90	SEAL 2.125 X 2.875 X 0.375 SINGLE LIP	1.000 EA
HA1005A06	SLINGER, OD 3.62, ID 2.15	1.000 EA
HW5100A15	W4997-050 WVY WSHR (WB)	1.000 EA
10XN3118K40	5/16-18 X 2.50" HEX HD, GRADE 5	4.000 EA
12EP1106A40P	PUEP, MACH FOR OIL SEAL W/EPOXY PRIMER	1.000 EA
10XN5013K28	1/2-13 X 1.75 HEX HEAD MACH SCREW,GRAD	4.000 EA
HW1001A50	LOCKWASHER 1/2, ZINC PLT,.879 OD, .509 I	4.000 EA
HW4600B37	SEAL 2.250 X 3.000 X .375 SINGLE LIP	1.000 EA
HW4600B41	V-RING SLINGER 2.125 X 2.880 X 0.280	1.000 EA
10XN3118K40	5/16-18 X 2.50" HEX HD, GRADE 5	4.000 EA

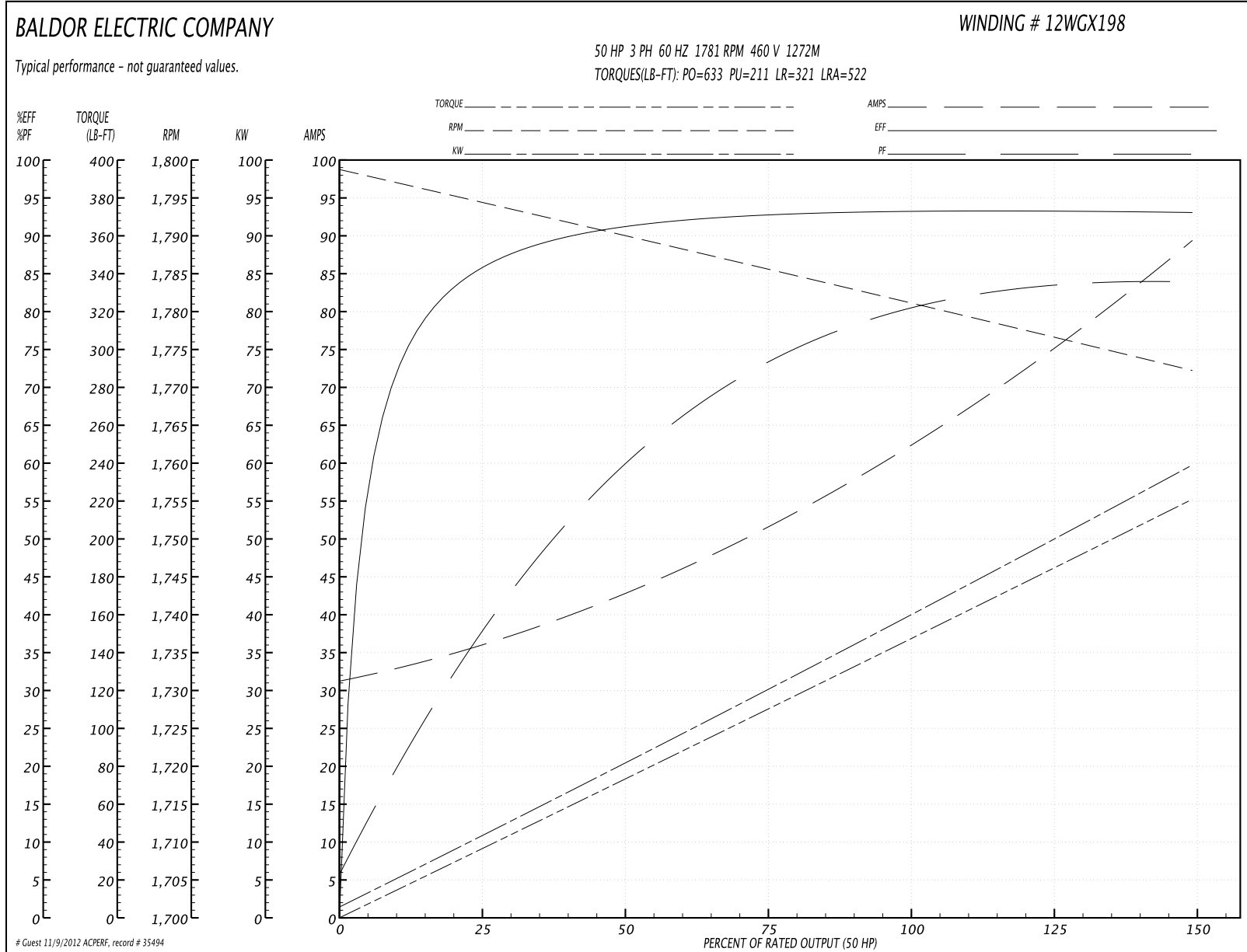
Parts List (continued)		
Part Number	Description	Quantity
12FH1002A33P	FAN COVER, MACH ,EPOXY PRIMER	1.000 EA
XY5013A12	NUT,1/2-13,HEX,STEEL,ZINCPLATED	4.000 EA
HW1001A50	LOCKWASHER 1/2, ZINC PLT ,.879 OD, .509 I	4.000 EA
HW1001A50	LOCKWASHER 1/2, ZINC PLT ,.879 OD, .509 I	4.000 EA
10CB1503A01P	CONDUIT BOX LIPPED LID, MACH W/EPXY PRMR	1.000 EA
14GS1003	GASKET CONDUIT BOX LID, NEOP	1.000 EA
10XN2520K16	1/4-20 X 1" HX HD SCRW GRADE 5, ZINC P	4.000 EA
HW1001A25	LOCKWASHER 1/4, ZINC PLT .493 OD, .255 I	4.000 EA
HW2501H33	KEY, 1/2 SQ X 3.875	1.000 EA
MJ5001A01	46-665 RED SEALER	0.031 QT
MJ5001A14	DYNAPRO SEAL, CP MOTORS VC#2508050 (603	0.030 EA
LB1115	LABEL,LIFTING DEVICE	1.000 EA
LB1002	LABEL,MARINE DUTY (ON ROLLS)	1.000 EA
LB5040	INSTRUCTION TAG, AC & DC	1.000 EA
12EP1111A17GP6	FR ENDPLATE, MACH W/EPOXY PRIMER & PAINT	1.000 EA
HW4500A17	317400 ALEMITE GREASE RELIEF	1.000 EA
HW4500A21	1618BALEMITE FITTING 825 UNIVERSAL	1.000 EA
HA4051A00	PLASTIC CAP FOR GREASE FITTING	1.000 EA
HA4001A01SP	DRAIN PLUG, PLASTIC (MICRO PLAS)	1.000 EA
MJ1000A75	GREASE, POLYREX EM EXXON	0.200 LB
HW4500A17	317400 ALEMITE GREASE RELIEF	1.000 EA
HW4500A03	GREASE FITTING, .125 NPT 1610(ALEMITE) 8	1.000 EA
HA4051A00	PLASTIC CAP FOR GREASE FITTING	1.000 EA
HA4001A01SP	DRAIN PLUG, PLASTIC (MICRO PLAS)	1.000 EA

Parts List (continued)		
Part Number	Description	Quantity
37FN3002C04	EXFN, PLASTIC, 6.00 OD, 2.000 ID	1.000 EA
HW2500A25	WOODRUFF KEY USA #1008 #BLOW CARBON STEE	1.000 EA
51XB1214A20	12-14X1.25 HXWSSLD SERTYB	1.000 EA
MG1025N19	PAINT, 778.50 WILKO, RELIANCE ELEC GREEN	0.080 GA
85XU0407S04	4X1/4 U DRIVE PIN STAINLESS	2.000 EA
LB1119	WARNING LABEL	1.000 EA
LB1125C02	SUPER-E (STOCK CTN LABEL SUPER-E WITH FL	4.000 EA
LB1357	ENERGY GUIDE LABEL (BOX LABEL)	2.000 SH
LC0032	CONNECTION LABEL	1.000 EA
NP2178E	SS CP SUPER-E UL CSA CC	1.000 EA
12PA1000	PACKAGING GROUP COMBINED PRINT PK1024A06	1.000 EA

**Performance Data at 460V, 60Hz, 50.0HP (Typical performance - Not guaranteed values)**

General Characteristics							
Full Load Torque:	146.0 LB-FT			Start Configuration:	DOL		
No-Load Current:	32.2 Amps			Break-Down Torque:	633.0 LB-FT		
Line-line Res. @ 25°C.:	0.115 Ohms A Ph / 0.0 Ohms B Ph			Pull-Up Torque:	211.0 LB-FT		
Temp. Rise @ Rated Load:	70 C			Locked-Rotor Torque:	321.0 LB-FT		
Temp. Rise @ S.F. Load:	81 C			Starting Current:	522.0 Amps		
Load Characteristics							
% of Rated Load	25	50	75	100	125	150	S.F.
Power Factor:	39.0	61.0	73.0	79.0	83.0	85.0	81.0
Efficiency:	86.3	91.5	93.1	93.4	93.4	93.0	93.4
Speed:	1794.0	1790.0	1786.0	1781.0	1777.0	1772.0	1779.0
Line Amperes:	34.9	41.9	51.6	63.0	75.7	88.7	70.6

Performance Graph at 460V, 60Hz, 50.0HP Typical performance - Not guaranteed values

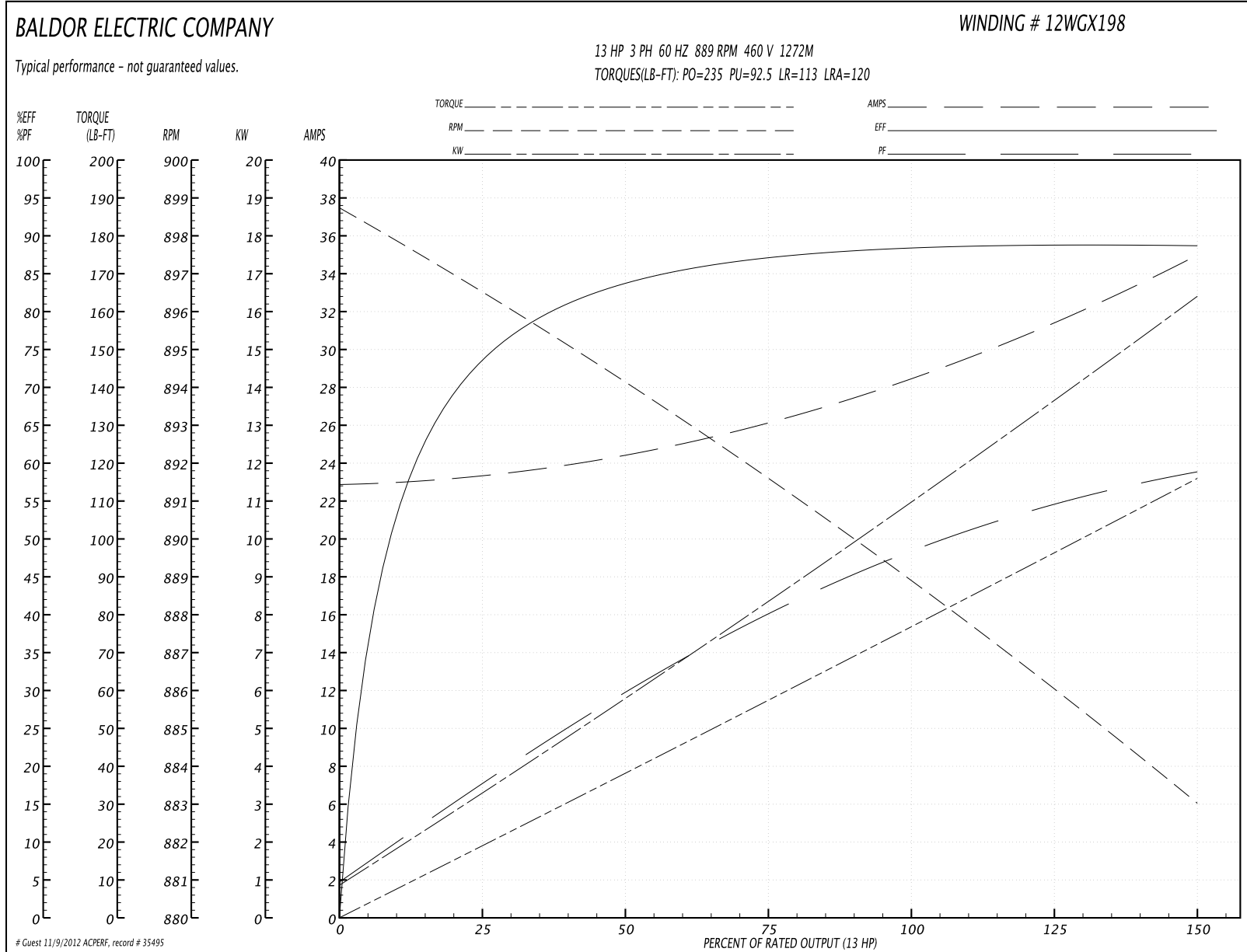


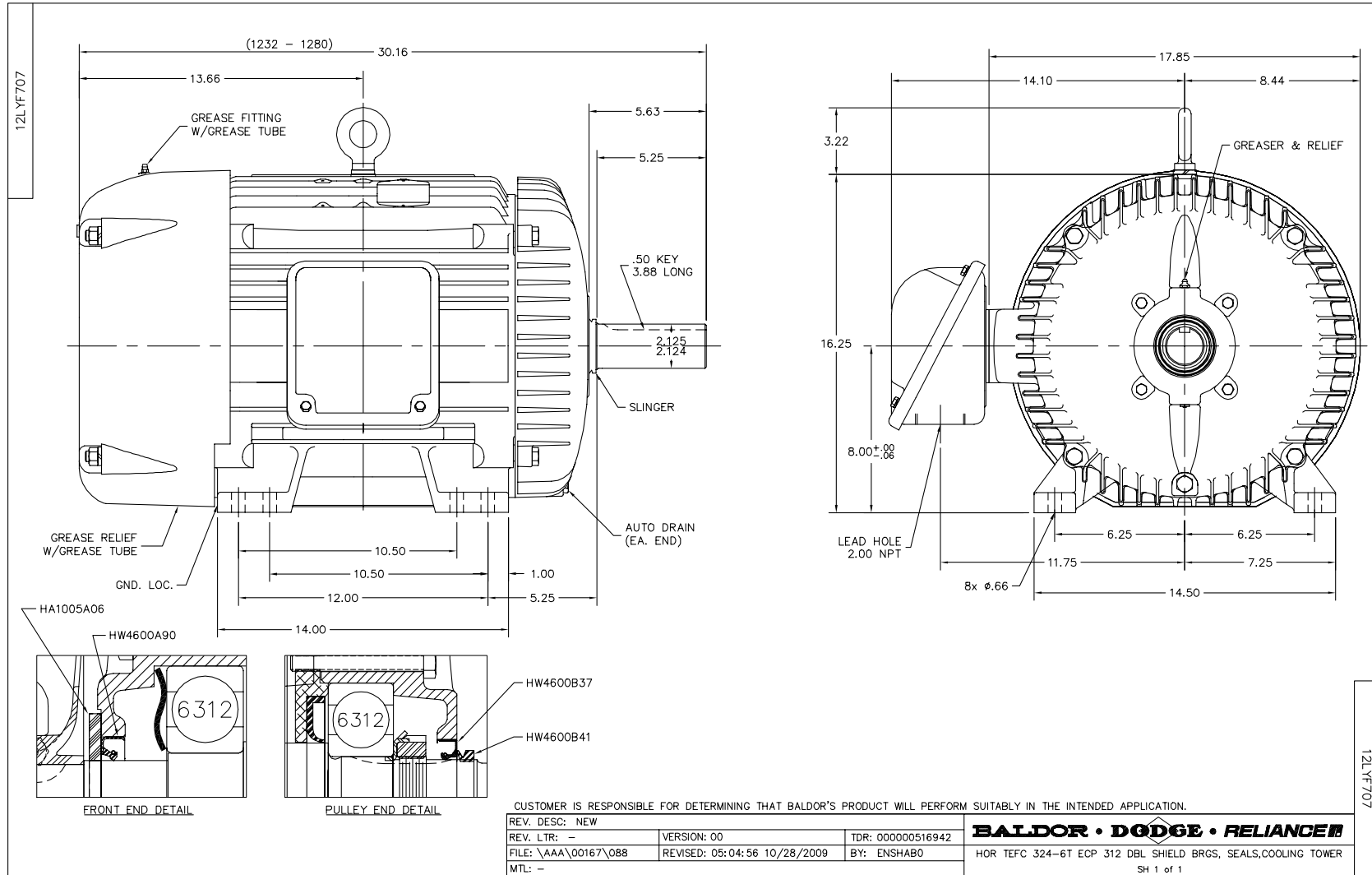
**Performance Data at 460V, 60Hz, 13.0HP (Typical performance - Not guaranteed values)**

General Characteristics							
Full Load Torque:	76.7 LB-FT			Start Configuration:	DOL		
No-Load Current:	23.0 Amps			Break-Down Torque:	235.0 LB-FT		
Line-line Res. @ 25°C.:	0.444 Ohms A Ph / 0.0 Ohms B Ph			Pull-Up Torque:	92.5 LB-FT		
Temp. Rise @ Rated Load:	53 C			Locked-Rotor Torque:	113.0 LB-FT		
Temp. Rise @ S.F. Load:	59 C			Starting Current:	120.0 Amps		
Load Characteristics							
% of Rated Load	25	50	75	100	125	150	S.F.
Power Factor:	18.0	30.0	40.0	48.0	54.0	59.0	52.0
Efficiency:	74.0	83.4	86.9	88.3	88.8	88.7	88.6
Speed:	896.0	894.0	892.0	889.0	886.0	883.0	887.0
Line Amperes:	23.2	24.3	26.2	28.5	31.4	34.9	30.2

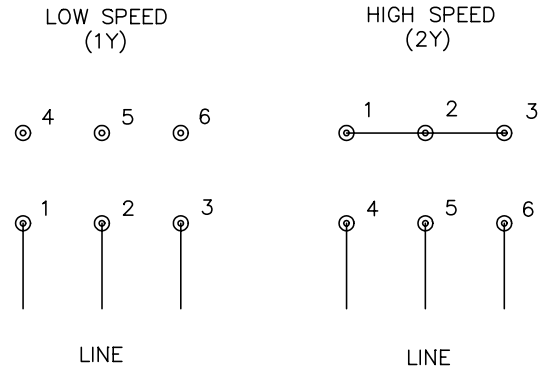
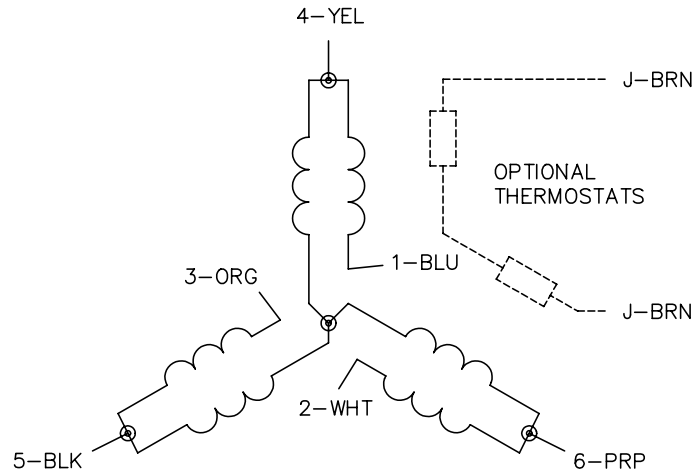


Performance Graph at 460V, 60Hz, 13.0HP Typical performance - Not guaranteed values





CD0032



NOTES:

1. INTERCHANGE ANY TWO LINE LEADS TO REVERSE ROTATION.
2. OPTIONAL THERMOSTATS ARE PROVIDED WHEN SPECIFIED.
3. ACTUAL NUMBER OF INTERNAL PARALLEL CIRCUITS MAY BE A MULTIPLE OF THOSE SHOWN ABOVE.
4. LEAD COLORS ARE OPTIONAL. LEADS MUST ALWAYS BE NUMBERED AS SHOWN.

REV. DESC: REVISE TO SHOW OPTIONAL COLORS			
REV. LTR: E	BY: JLP	REVISED: 01/22/99 8:27	TDR: 0171435
CD0032		FILE: AAA00005145	MDL: -
		MTL: -	

**BALDOR ELECTRIC Co.**

3PH, SV, 6 LEADS, 2-SPEED 1-WINDING VARIABLE TORQUE

CD0032