

# **BALDOR**® • ***RELIANCE***

## **Product Information Packet**

# **CWDM3542**

**.75HP,1750RPM,3PH,60HZ,56C,3514M,TENV,F1**

Copyright © All product information within this document is subject to Baldor Electric Company copyright © protection, unless otherwise noted.

Part Detail							
Revision:	L	Status:	PRD/A	Change #:		Proprietary:	No
Type:	AC	Prod. Type:	3514M	Elec. Spec:	35WGP672	CD Diagram:	
Enclosure:	TENV	Mfg Plant:		Mech. Spec:	35S588	Layout:	
Frame:	56C	Mounting:	F1	Poles:	04	Created Date:	10-24-2007
Base:	RG	Rotation:	R	Insulation:	F	Eff. Date:	10-03-2012
Leads:	9#18	Literature:		Elec. Diagram:		Replaced By:	

Nameplate NP1496L									
CAT.NO.	CWDM3542								
SPEC.	35S588P672G1								
HP	.75								
VOLTS	230/460								
AMP	2.8/1.4								
RPM	1750								
FRAME	56C	HZ	60	PH	3				
SER.F.	1.25	CODE	M	DES	B	CLASS	F		
NEMA-NOM-EFF	78.5	PF	66						
RATING	40C AMB-CONT								
CC				USABLE AT 208V	3				
DE	6205	ODE	6203						
ENCL	TENV	SN							
	SFA 3/1.5								

Parts List		
Part Number	Description	Quantity
SA164914	SA 35S588P672G1	1.000 EA
RA153332	RA 35S588P672G1	1.000 EA
NS2512A01	INSULATOR, CONDUIT BOX X	1.000 EA
35CB3008A01W	35 CB .50 NPT @ 6, MACH WHITE EPOXY	1.000 EA
35GS1039	05 MOLDED GASKET W/LIP, 1.12 LEAD HOLE,	1.000 EA
51XB1016A07	10-16 X 7/16 HXWSSLD SERTYB	2.000 EA
11XW1032G06	10-32 X .38, TAPTITE II, HEX WSHR SLTD U	1.000 EA
35EP3100M71MW	SPL FR ENDPLATE -TENV- SP.#9 (WHITE EPOX	1.000 EA
HW4032A01	BLACK DRAIN PLUG FOR WASH DOWN MOTORS	3.000 EA
HW5100A03SP	WAVY WASHER (W1543-017)	1.000 EA
35EP3300A48MW	SPL FACE MTD EP - 205 BRG - W/SEAL FOR W	1.000 EA
HW4032A01	BLACK DRAIN PLUG FOR WASH DOWN MOTORS	3.000 EA
HW4600B49SP	SEAL 0.938 X 1.624 X 0.250 SINGLE LIP DB	1.000 EA
12XN1032S20	10-32 X 1-1/4 HEX M.S. , STAINLESS STEEL	2.000 EA
35CB4522	35 LIPPED CB LID AUTOPHORETIC	1.000 EA
35GS1030A02	35 GS FOR CB LID - WHITE NEOPRENE	1.000 EA
59XW0832S07	TAPTITE II,HEX WSHR UNSLTD SER,410 S.S.,	4.000 EA
HW4600B46SP	SEAL 0.875 X 1.420 X 0.240 FACE SEALING	1.000 EA
HW2502D13	SS KEY, 3/16 SQ X 1.375	1.000 EA
HA7000A04	KEY RETAINER 0.625 DIA SHAFTS	1.000 EA
MJ5001A01	46-665 RED SEALER	0.001 QT
85XU0407S04	4X1/4 U DRIVE PIN STAINLESS	2.000 EA
LB1164	LABEL,WARNING AND DRAIN	1.000 EA
HA5027A01	HA4066A01 T-DRAIN X2 BAGGED	1.000 EA

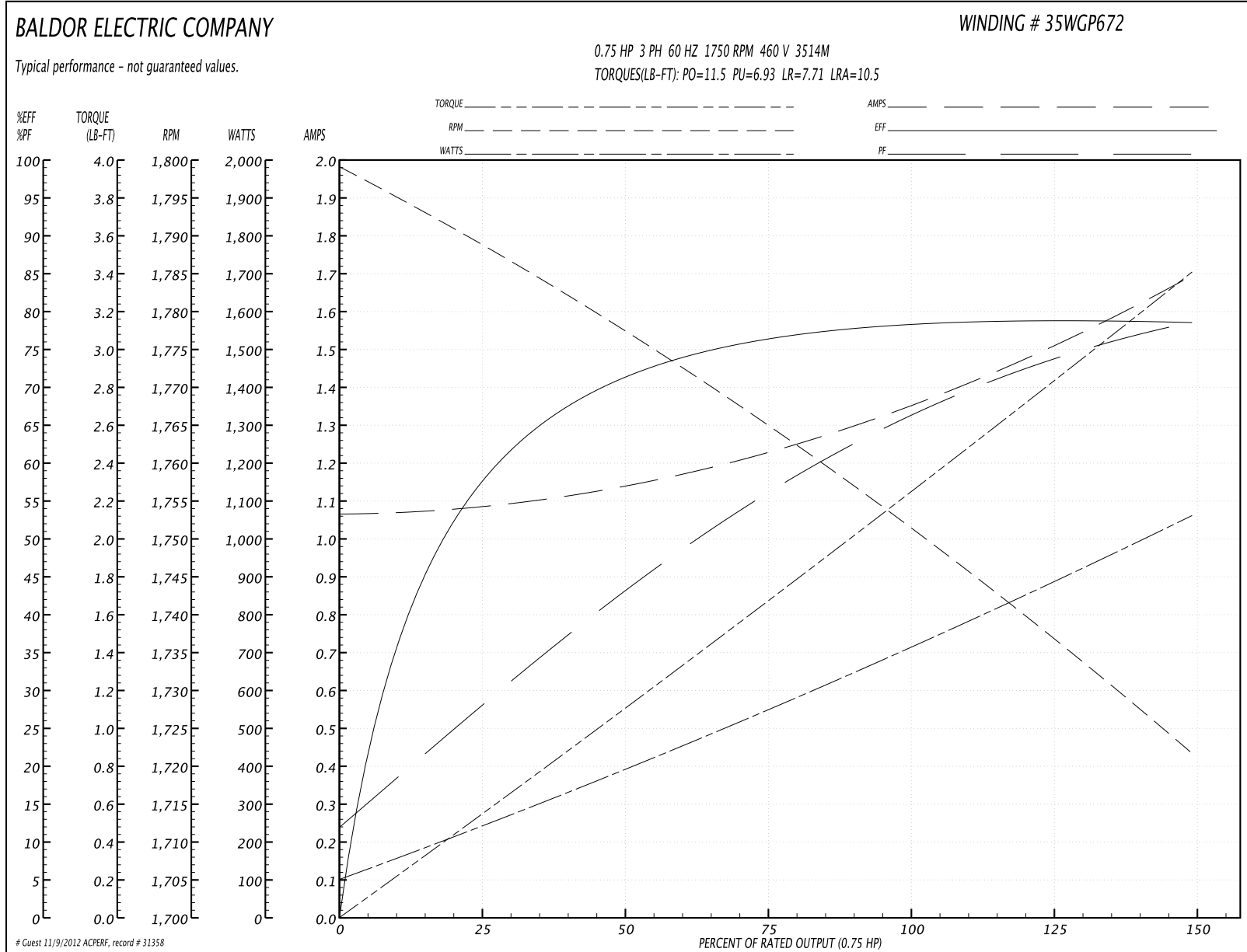
Parts List (continued)		
Part Number	Description	Quantity
MJ1000A75	GREASE, POLYREX EM EXXON	0.050 LB
MG1025Z20	ACTIVATOR WILKOFAS 060.32	0.010 GA
MG1025W11	PAINT- 781-101 WILKOFAS WHITE EPOXY	0.017 GA
HA3100S08	THRUBOLT 7.375LG SS	4.000 EA
LC0005	CONN.DIA.,TY M,9-LD,DUAL VOLT,REVERSING	1.000 EA
LB1125C01	STD (STOCK) CARTON LABEL BALDOR WITH FLA	1.000 EA
NP1496L	SS WD UL CSA CC	1.000 EA
PA1000	PACKING GROUP 3500 SHORT	1.000 EA

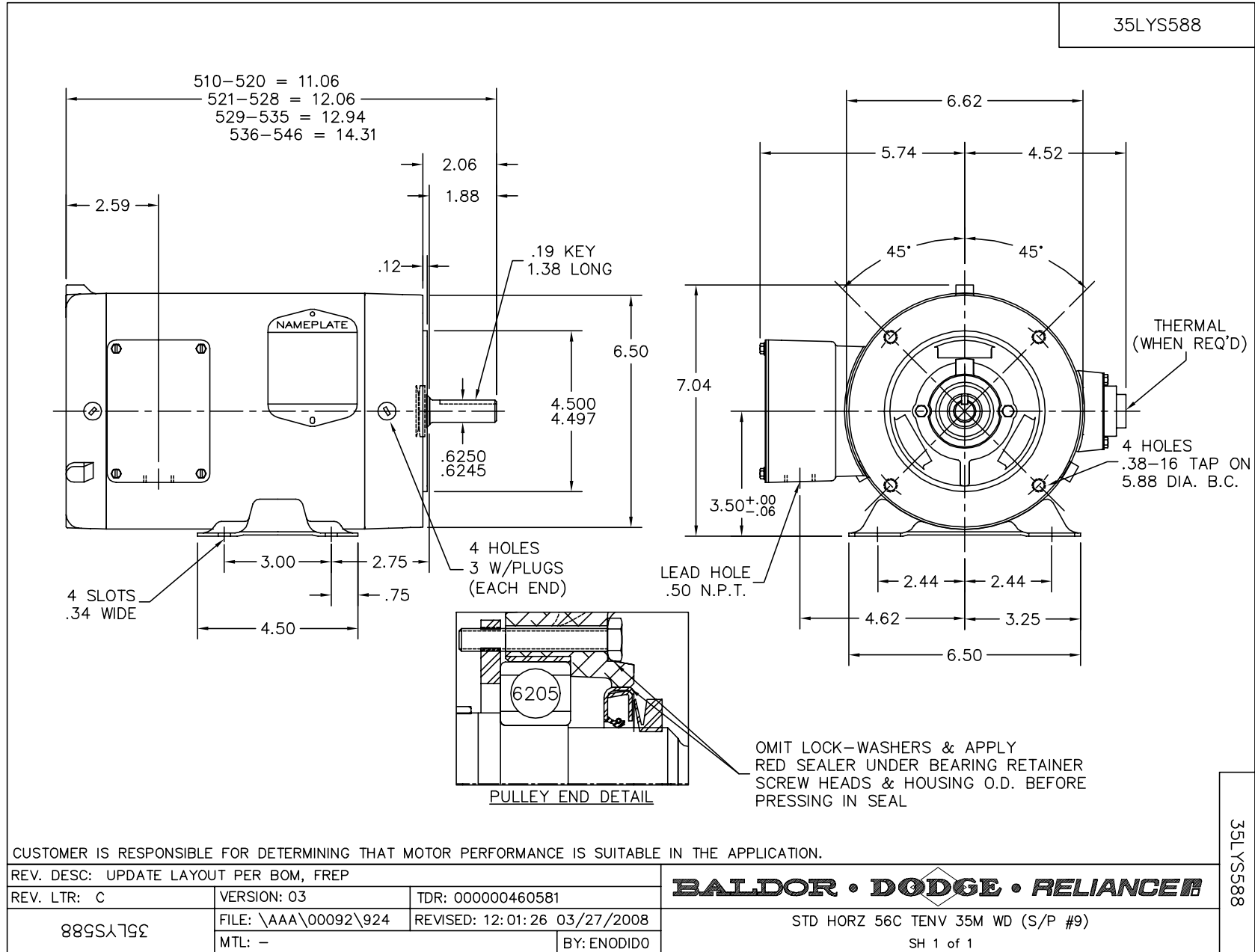
**Performance Data at 460V, 60Hz, 0.75HP (Typical performance - Not guaranteed values)**

General Characteristics			
Full Load Torque:	2.26 LB-FT	Start Configuration:	DOL
No-Load Current:	1.07 Amps	Break-Down Torque:	11.5 LB-FT
Line-line Res. @ 25°C.:	21.9 Ohms A Ph / 0.0 Ohms B Ph	Pull-Up Torque:	6.93 LB-FT
Temp. Rise @ Rated Load:		Locked-Rotor Torque:	7.71 LB-FT
Temp. Rise @ S.F. Load:		Starting Current:	10.5 Amps

Load Characteristics							
% of Rated Load	25	50	75	100	125	150	S.F.
Power Factor:	28.0	44.0	56.0	66.0	74.0	79.0	74.0
Efficiency:	57.7	71.7	76.6	78.6	79.0	78.6	79.0
Speed:	1789.0	1777.0	1766.0	1751.0	1736.0	1722.0	1736.0
Line Amperes:	1.08	1.14	1.22	1.36	1.52	1.69	1.52

Performance Graph at 460V, 60Hz, 0.75HP Typical performance - Not guaranteed values

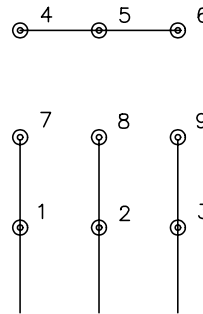




CD0005

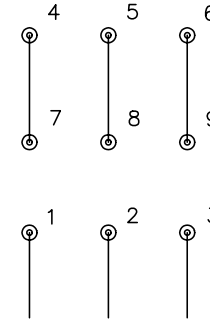


LOW VOLTAGE  
(2Y)



LINE

HIGH VOLTAGE  
(1Y)



LINE

NOTES:

1. INTERCHANGE ANY TWO LINE LEADS TO REVERSE ROTATION.
2. OPTIONAL THERMOSTATS ARE PROVIDED WHEN SPECIFIED.
3. ACTUAL NUMBER OF INTERNAL PARALLEL CIRCUITS MAY BE A MULTIPLE OF THOSE SHOWN ABOVE.
4. LEAD COLORS ARE OPTIONAL. LEADS MUST ALWAYS BE NUMBERED AS SHOWN.

REV. DESC: REVISE TO SHOW OPTIONAL COLORS

REV. LTR: E BY: JLP

REVISED: 01/19/99 10:15

TDR: 0171435

9000D

FILE: AAA00005140

MDL: -

MTL: -

**BALDOR ELECTRIC Co.**

3PH, DV, 9 LEADS

CD0005