

BALDOR® • RELIANCE

Product Information Packet

D2005R

5HP, 1750RPM, DC, 1811ATZ, DPG,

Copyright © All product information within this document is subject to Baldor Electric Company copyright © protection, unless otherwise noted.

Part Detail			
Type:	DC	Prod. Type:	TR
Power Code:	D-50/60	Weight:	194
Frame Group:	C 1811ATZ	Mounting Pos.:	F1
HP:	5.	Enclosure:	DPG
RPM:	1750/2300	Wound:	STAB SHUNT
Service Factor:	1.0	Arm V:	240
Arm A:	19.20	Field V:	150
Field A:	1.77	Field A Hot:	1.26/.66
Insulation Class:	F	Ambient:	40
Duty:	CONT	DE Bearing:	40BC02J30X
ODE Bearing:	30BC02J30X	Brushes:	419904-51AB
Brush Qty.:			

609980-001

INDUSTRIAL DIRECT CURRENT MOTORS AND GENERATORS - RPM III

ENCLOSURE: DRIP-PROOF FULLY-GUARDED
SPLASHPROOF, TOTALLY ENCLOSED

MOUNTING: FOOT
METHOD OF DRIVE: COUPLED OR BELTED

COOLING: SELF-VENTILATED
NON-VENTILATED

ACCESSORIES: PROVISION FOR
TACHOMETER MOUNTING
ONLY WHEN SPECIFIED

FRAMES C180ATZ

DIMENSIONS ARE IN INCHES

FRAME	A	BK (1)	E	G	H	J	D	P	T	BA	K	FK	BK
C1811ATZ-C1812ATZ	9.00	4.50	3.75	.31	1.44	1.50	8.88	8.75	1.88	2.75	4.38	4.38	1.50

FRAME	C (8)	B	BS	2F	N	N-W	LK (2)	V	R (4)	SD	LGTH	FN	FN-FW	FUC (2)	FV	FR (4)	SD	LGTH	LBS.
C1811ATZ	23.94	14.00	11.00	12.50	3.00	2.75	1.3750	2.50	1.201	.312	1.75	2.44	2.25	1.1250	2.00	.986	2.50	1.38	175
C1812ATZ	25.44	15.50	12.50	14.00	3.00	2.75	1.3750	2.50	1.201	.312	1.75	2.44	2.25	1.1250	2.00	.986	2.50	1.38	175

FRAME	MAX AMPS	AA (5)	AB	AC	AF	X	Y	PART NUMBER	ONE SIZE LARGER	PART NUMBER
C180ATZ	40	3/4 & 1"	7.31	5.75	1.94	4.38	5.00	705028-1-R	1-1/4 & 1-1/2	8.31 6.31 2.50 5.50 6.12 705029-1-R
	96	1-1/4 & 1-1/2	8.31	6.31	2.50	5.00	6.12	705029-1-R	2" & 2-1/2"	9.44 6.69 3.19 7.00 7.62 705030-1-R

FRAME	MAX AMPS	AA (6)	AB	AC	AF	X	Y	PART NUMBER	ONE SIZE LARGER	PART NUMBER
C180ATZ	18	3/4	9.38	7.38	2.50	5.00	5.75	705028-2-S	1	9.38 7.38 2.50 5.00 5.75 705028-2-T
	40	1	9.38	7.38	2.50	5.00	5.75	705028-2-T	1-1/2	10.31 7.88 3.00 6.00 7.00 705029-2-R
	96	1-1/2	10.31	7.88	3.00	6.00	7.00	705029-2-R	2	10.31 7.88 3.00 6.00 7.00 705029-2-S

3/8-16 TAP
75 DEEP
4 HOLES

4.500 +.000
-.003
DIA.

45°

5.88
DIA.
B. C.

MOTOR SHAFT
TAPPED FOR SCREW
IN STUB SHAFT

2.25

.188 X .188
X 1.00 KEY

.6250 ±.0005
DIA.

STUB SHAFT SUPPLIED
ONLY WHEN SPECIFIED

GUARD

AA SEE NOTE (3)

(1) 'B' DIMENSION WILL NOT BE EXCEEDED. SHIMS UP TO .03 INCHES IN THICKNESS ARE USUALLY REQUIRED FOR COUPLED OR GEARED MACHINES.

(2) 'U' AND 'FU' VARY +.0000 - .0005

(3) TERMINAL BOX CAN BE ROTATED FOR LEAD OUTLET AT TOP, SIDES OR BOTTOM.

(4) 'R' AND 'FR' VARY +.000, -.015

(5) AA CONDUIT, TERMINAL BOX PROVIDED WITH DOUBLE KNOCKOUT.

(6) AA PIPE TAP

(7) OPPOSITE DRIVE END SHAFT SUPPLIED ONLY WHEN SPECIFIED.

(8) WHEN THE MOTOR APPLICATION DOES NOT REQUIRE THE USE OF OPP. DRIVE END, ADD .25 TO 'C' DIM. FOR BRACKET COVER.

TERMINAL BOX LOCATED ON OPPOSITE SIDE WHEN F-2, W-1, W-4, W-5, W-7 OR C-1 MOUNTING IS SPECIFIED. BOX LOCATED ON TOP WHEN SPECIFIED.

MOTOR WEIGHT MAY VARY 15% FOR NON-STANDARD RATINGS AND/OR ACCESSORIES.

IF MOUNTING CLEARANCE DETAILS ARE REQUIRED, CONSULT FACTORY.

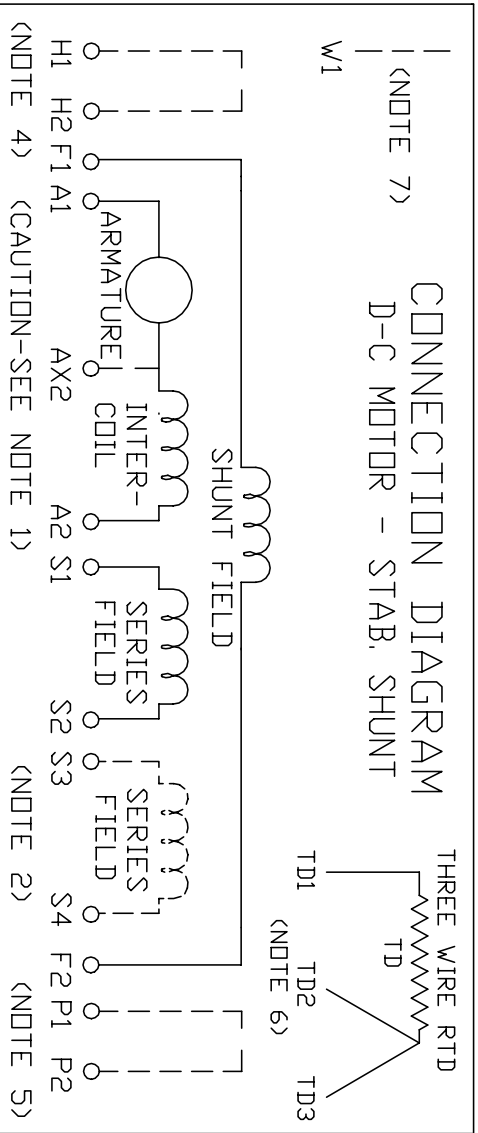
CUSTOMER IS RESPONSIBLE FOR DETERMINING THAT BALDOR'S PRODUCT WILL PERFORM SUITABLY IN THE INTENDED APPLICATION.

REV. DESC: LOADED TO BUS	VERSION: 00	TDR: 000000577407
REV. LTR: -	REVISED: 01:47:13 01/26/2011	BY: CONNAS
MTL: -		

DIMENSION DRAWING, C180ATZ, DPP, TENV, FOOT MTG.

SH 1 of 1

100-066600



ARMATURE AND FIELD EXTERNAL CONNECTIONS
WARNING- SEE NOTE 8 FOR GROUNDING INSTRUCTIONS



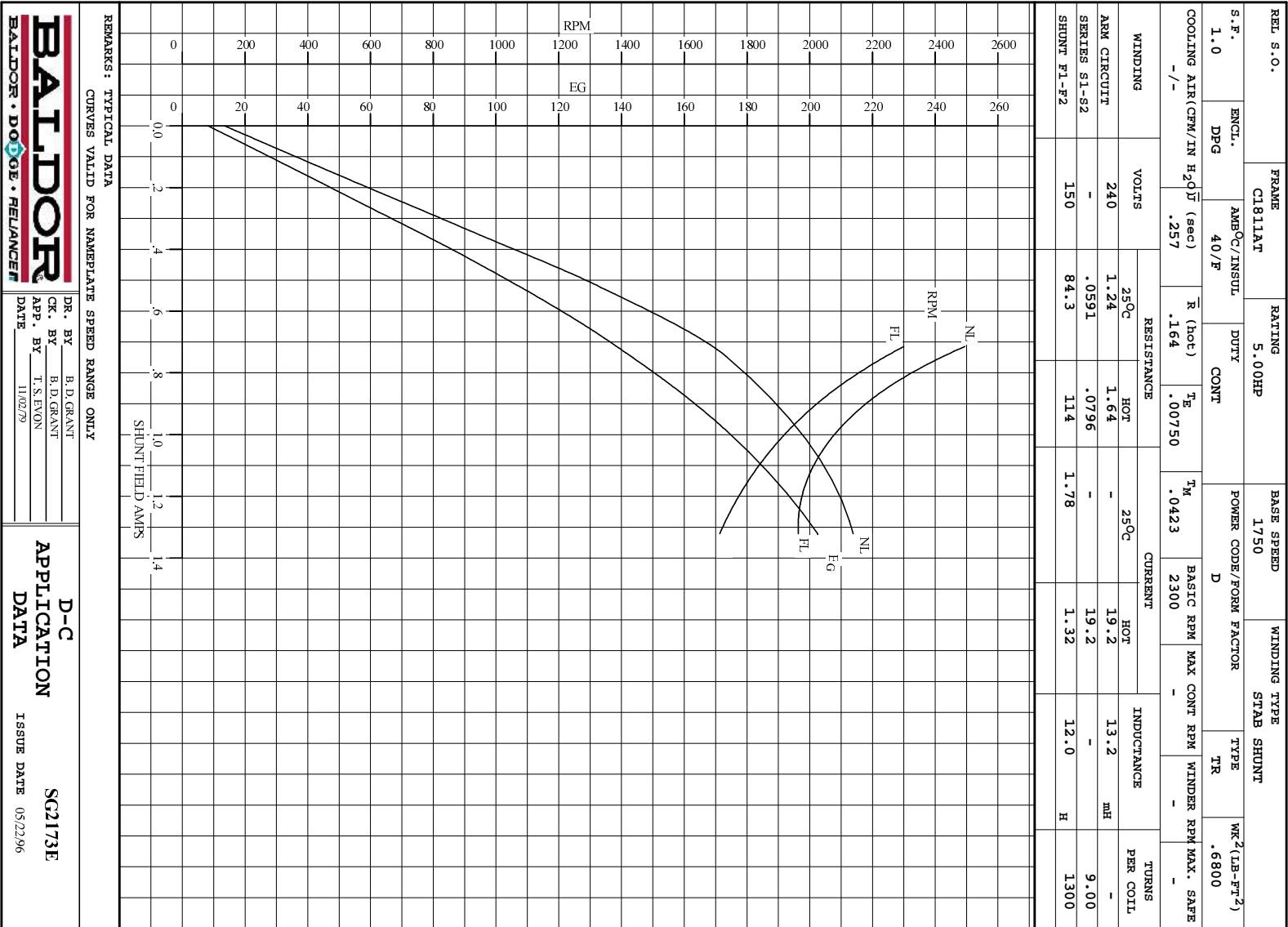
ROTATION FACING COMMUTATOR END

1. **CAUTION** — ARMATURE AND SERIES FIELD MAY HAVE MULTIPLE LEADS. CONNECT ALL LUGS WITH THE SAME MARKING TOGETHER.
2. OPTIONAL SERIES FIELD IS MARKED S3 AND S4. FOR CUMULATIVE SERIES FIELD, CONNECT S3 TO S2 AND CONNECT S4 TO NEGATIVE. FOR DIFFERENTIAL SERIES FIELD CONNECT S4 TO S2 AND S3 TO NEGATIVE.
3. OPTIONAL CONTROL SIGNAL LEAD IS MARKED AX2. ALWAYS TAKE INTERPOLE DROP BETWEEN A2 AND AX2. NOTE: NEMA DESIGNATION FOR AX2 IS LETTER C.
4. SPACE HEATERS, WHEN PROVIDED, WILL HAVE LEADS MARKED H1 AND H2, H3, H4, ETC.
5. THERMAL PROTECTOR, WHEN PROVIDED, WILL HAVE LEADS MARKED P1 AND P2, P3, P4, ETC.
6. WINDING RTDS, WHEN PROVIDED, WILL HAVE LEADS MARKED TD1, TD2, & TD3
7. BRUSH WEAR SENSOR, WHEN PROVIDED, WILL HAVE LEAD MARKED W1.
8. **WARNING** — MOTOR MUST BE GROUNDED TO PREVENT SERIOUS INJURIES TO PERSONNEL. GROUND THE MOTOR PER IEC, NATIONAL ELECTRICAL CODE AND ANY APPLICABLE LOCAL ELECTRICAL CODES. A TAPPED HOLE IS PROVIDED IN THE CONDUIT BOX, ON THE FOOT. FRAME BRACE OR OPPOSITE OPPOSITE DRIVE END BRACKET, ADJACENT TO THE TERMINAL BOX FOR FOR MOTOR GROUNDING. GROUND LEAD, WHEN PROVIDED, WILL BE GREEN.

CUSTOMER _____ RELIANCE
ORDER NO. _____ S.D. NO. _____

<p>RELIANCE ELECTRIC CLEVELAND, OHIO 44117 U.S.A.</p>	<p>Rev. by <u>N.L. EVANS</u> Ck. by <u>N. JESCHKE</u> App. by <u>E. L. HINER</u> DATE <u>5-5-69</u></p>
<p>CONNECTION DIAGRAM</p>	<p>406770-1</p>
<p>ORIGINAL AT RCC</p>	

C/R 290048, 354478, 354480




REL S.O.	FRAME	RATING	RPM	ARM. VOLTS	ARM. AMPS
	C1811AT	5.00HP	1750	240	19.2
WINDING TYPE		S.F.	ENCL.	AMB °C/INSUL	DUTY
STAB. SHUNT		1.0	DRG	40/F	CONT
					150
POWER CODE	TYPE	WK 2 (LB-FT 2)	HOT ARM. CIR. RES.	FLD. AMPS@25 °C	HOT FIELD RES
D	TR	.6800	1.64	1.77	113

ARM. CIR. IND. (mh)	FIELD IND. (H)	COOLING AIR (CFM/IN H 20)	TURNS PER COIL SHUNT/SERIES	TEST DATE
13.2	12.0	-/-	1300/9	-

LOAD PERFORMANCE					
LOAD	AMPERES	TORQUE IN LB.-FT.	OUTPUT IN HP	RPM	% EFFICIENCY
NO LOAD	.57	0	0	1947	0
1/4	4.8	3.65	1.31	1883	70.4
2/4	9.6	7.75	2.69	1820	78.2
3/4	14	11.8	3.95	1762	79.4
4/4	19	15.7	5.11	1714	78.3
O.L.	29	22.8	7.09	1632	73.8

RPM VS. FIELD AMPS			Eg VS. FIELD AMPS		
FIELD AMPS	RPM N.L.	RPM F.L.	Eg N.L. @ BASE SPEED	Eg F.L. @ BASE SPEED	
1.32	1946	1714	213	202	
1.16	1982	1791	210	191	
1.01	2064	1903	202	176	
.866	2222	2064	188	159	
.714	2494	2300	168	138	

REMARKS: TYPICAL DATA

	DR. BY B. D. GRANT	D-C MOTOR PERFORMANCE DATA DG2173E ISSUE DATE 05/22/96
	CK. BY B. D. GRANT APP. BY T. S. EVON DATE 11/02/79	

