

BALDOR® • RELIANCE

Product Information Packet

D2305

1.5HP,1750RPM,DC,184,3636D,TEFC,F1

Copyright © All product information within this document is subject to Baldor Electric Company copyright © protection, unless otherwise noted.

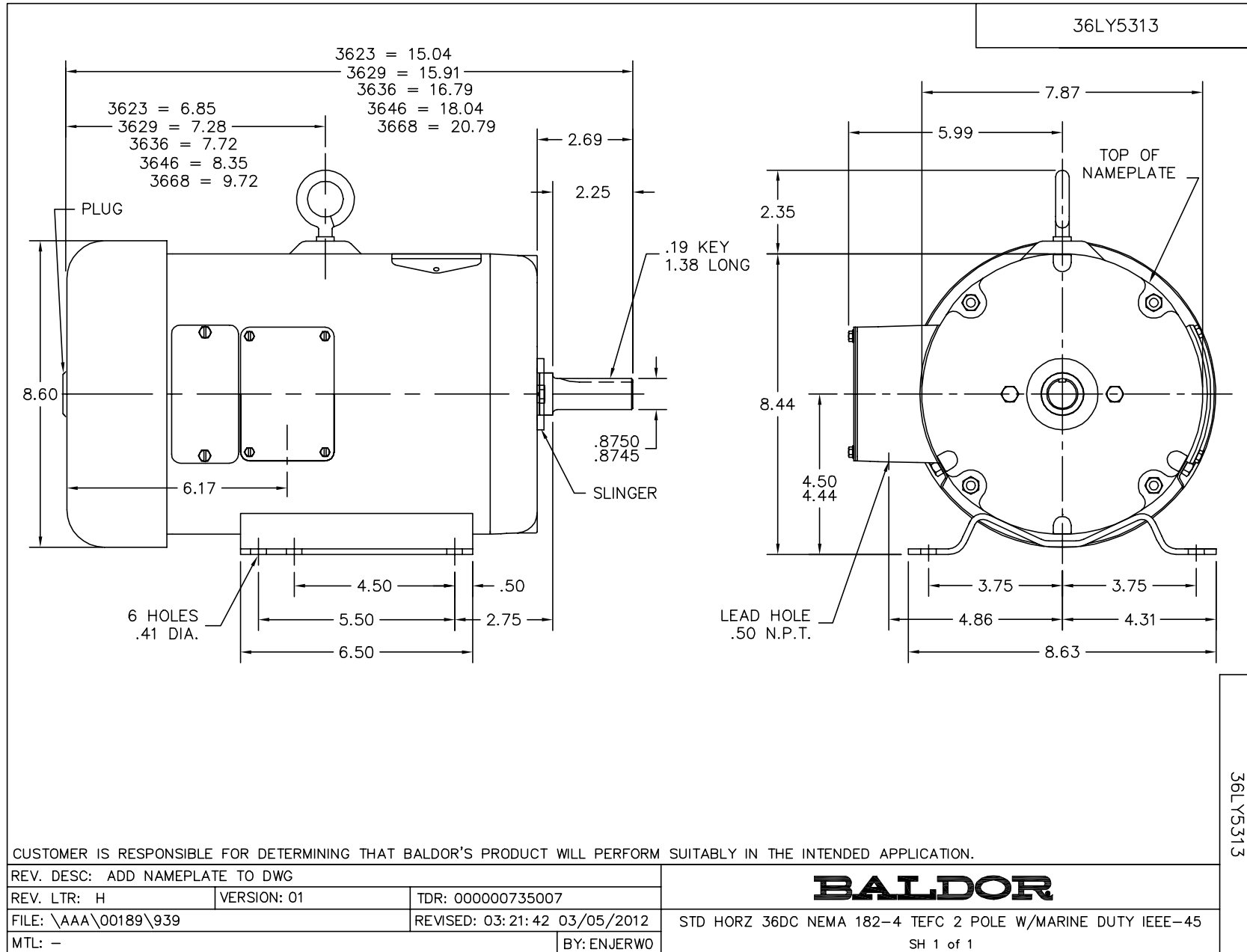
Part Detail							
Revision:	Z	Status:	PRD/A	Change #:		Proprietary:	No
Type:	DC	Prod. Type:		Elec. Spec:	36WGZ114	CD Diagram:	
Enclosure:	TEFC	Mfg Plant:		Mech. Spec:	36-5313	Layout:	
Frame:	184	Mounting:	F1	Poles:	2///	Created Date:	
Base:	RG	Rotation:	R	Insulation:	F	Eff. Date:	03-12-2012
Field Type:	Compound/stab Shunt	Literature:		Elec. Diagram:		Replaced By:	

Nameplate NP2801L

CAT.NO.	D2305						
SPEC.	36-5313Z114						
HP	1.5	ENCL				TEFC	
RPM	1750						
FRAME	184	TYPE				3636D	
ARM V	230	ARM A				5.8	
FLD V	230	FLD A				.3	
INSUL	F	AMB.				40	
DUTY	CONT	SUPPLY				A	
BRG/DE	6206	BRG/ODE				6205	
BRUSHES	2/BP5125A01						
	--	BLANK					
SER.							
BLANK	IEEE 45						
APRV-CSA					APRV-UL		

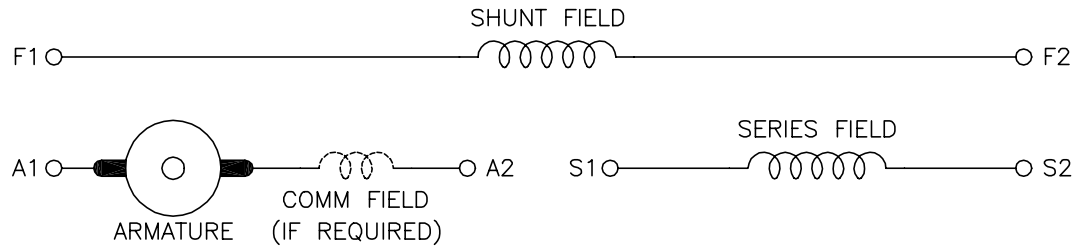
Parts List		
Part Number	Description	Quantity
SA006682	SA 36-5313Z114	1.000 EA
AA003316	AA 36-5313Z114	1.000 EA
LB1115	LABEL,LIFTING DEVICE	1.000 EA
36CB1001A05	CONDUIT BOX, MACH	1.000 EA
36GS1000SP	GASKET-CONDUIT BOX, .06 THICK #SV-330 LE	1.000 EA
51XB1016A07	10-16 X 7/16 HXWSSLD SERTYB	2.000 EA
11XW1032G06	10-32 X .38, TAPTITE II, HEX WSHR SLTD U	1.000 EA
HW3001B01	003SS CUP WASHER, FOR #8 SCREW	1.000 EA
MJ1000A07	GREASE DC-44 (DOW)	0.050 LB
36EP3300A01SP	FR ENDPLATE, MACH	1.000 EA
HW5100A05	WVY WSHR F/205 & 304 BRGS	1.000 EA
36EP3100A34	PU ENDPLATE, MACH	1.000 EA
10XN2520A24	1/4-20X 1 1/2 HEX HD X	2.000 EA
10XN2520A12	O1/4-20X 3/4 HEX HEAD CAP	2.000 EA
HW1000A25	1/4 SAE FLAT WASHER (FS)	2.000 EA
HW1001A25	LOCKWASHER 1/4, ZINC PLT .493 OD, .255 I	2.000 EA
36FN3000A01SP	EXFN, PLASTIC, 7.00 OD, .912 ID	1.000 EA
51XB1214A16	12-14X1.00 HXWSSLD SERTYB	1.000 EA
36FH4009A46	IEC FH NO GREASER,W/ AUTOPHERETIC PRIMER	1.000 EA
51XW1032A06	10-32 X .38, TAPTITE II, HEX WSHR SLTD S	3.000 EA
36CV4000	INSPECTION COVER, BRUSH Z	2.000 EA
36GS1016	GASKET, BRUSH INSP COVER X	2.000 EA
51XW1032A06	10-32 X .38, TAPTITE II, HEX WSHR SLTD S	4.000 EA
35CB4514	35 LIPPED CB LID	1.000 EA

Parts List (continued)		
Part Number	Description	Quantity
36GS1001SP	GASKET, CONDUIT BOX LID, .06 THICK #SV-3	1.000 EA
51XW0832A07	8-32 X .44, TAPTITE II, HEX WSHR SLTD SE	4.000 EA
WD4100A10	465 NIAGARA PLUG (SO ELEC),FOR 1.093 DIA	1.000 EA
HA1005A02SP	SLINGER, OD 2.00, ID 1.14, 206 BRG,	1.000 EA
HW2501D13SP	KEY, 3/16 SQ X 1.375	1.000 EA
HA7000A01	KEY RETAINER 7/8" DIA SHAFT	1.000 EA
MJ5001A01	46-665 RED SEALER	0.001 QT
MG1000G27	PAINT- S9282E CHARCOAL GREY	0.022 GA
10XF0440S02	04-40 X 1/8 TYPE F HEX HD STAINLESS STIC	2.000 EA
LB1002	LABEL,MARINE DUTY (ON ROLLS)	1.000 EA
XY2520A12	1/4-20 HEX NUT, DIRECTIONAL SERRATIONS	4.000 EA
36RK5002A01	ROCKERARM ASSY - H45	1.000 EA
HA3101A33	THRUBOLT- 1/4-20 X 12.00 X	4.000 EA
LB5040	INSTRUCTION TAG, AC & DC	1.000 EA
LB1119	WARNING LABEL	1.000 EA
LC0862	DC -- COMPOUND WOUND MOTOR CONNECTION LA	1.000 EA
NP2801L	SS DC UL CSA REV MTG	1.000 EA
LB1125C01	STD (STOCK) CARTON LABEL BALDOR WITH FLA	1.000 EA
35PA1007	PACKAGING GROUP	1.000 EA



CD0862B01

COMPOUND WOUND



DIRECTION OF ROTATION				
CWDE		CCWDE		
POS TERM (+)	NEG TERM (-)	POS TERM (+)	NEG TERM (-)	
A1	S2	A2	S2	
F1	F2	F1	F2	
CONNECT A2 & S1		CONNECT A1 & S1		

NOTES:

1. LIMIT STARTING INRUSH CURRENT TO NOT MORE THAN 3 TIMES RATED AMPERES BY ENERGIZING THE FULL SHUNT FIELD BEFORE BRINGING THE ARMATURE VOLTAGE UP SLOWLY OR IN STEPS.
2. OPTIONAL FIELD REOSTAT MAY BE CONNECTED IN SERIES WITH THE SHUNT FIELD.
3. OPTIONAL THERMOSTAT LEADS ARE MARKED J,J.

REV. DESC: NEW, REPLACE CD0862			
REV. LTR: -	BY: JLP	REVISED: 16:10:51 11/03/2004	TDR: 347796
10BZ980DC		FILE: AAA00121482	REF: CD0862B01
CD0862B01		MTL: -	

BALDOR ELECTRIC Co.

DC CONNECTION DIAGRAM, COMPOUND FIELD, 6 LEAD

CD0862B01