

BALDOR® • RELIANCE

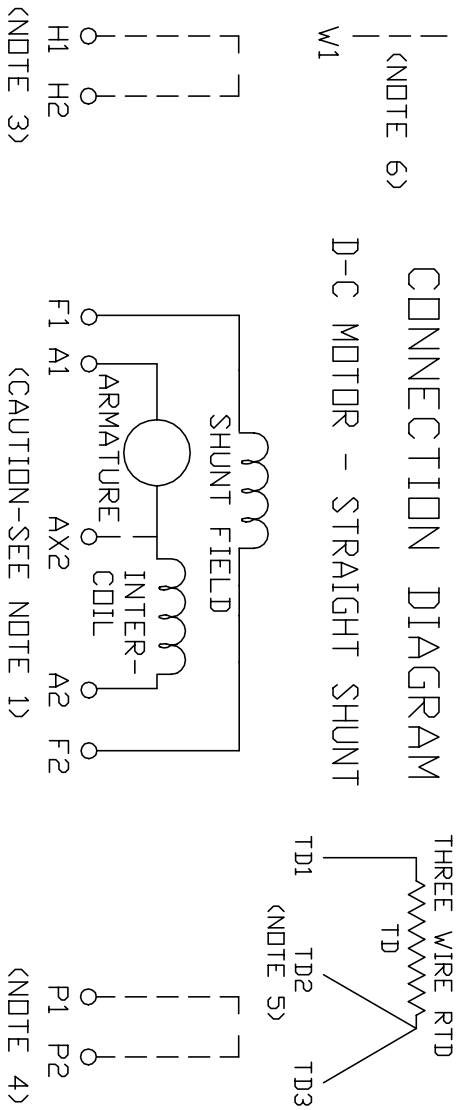
Product Information Packet

D51400R-BV

400HP, 1150RPM, DC, 4413ATZ, DPG-FV,

Copyright © All product information within this document is subject to Baldor Electric Company copyright © protection, unless otherwise noted.

Part Detail			
Type:	DC	Prod. Type:	TR
Power Code:	C	Weight:	3830
Frame Group:	C 4413ATZ	Mounting Pos.:	F2
HP:	400	Enclosure:	DPFV
RPM:	1150/1600	Wound:	STR. SHUNT
Service Factor:	1.0	Arm V:	500
Arm A:	644.00	Field V:	300
Field A:	13.05	Field A Hot:	9.17/5.33
Insulation Class:	F	Ambient:	40
Duty:	CONT	DE Bearing:	110BC02J30X
ODE Bearing:	95BC02J30X	Brushes:	419904-52AB
Brush Qty.:			



ROTATION FACING COMMUTATOR END

1. **CAUTION** — ARMATURE MAY HAVE MULTIPLE LEADS. CONNECT ALL LUGS WITH THE SAME MARKING TOGETHER.
2. OPTIONAL CONTROL SIGNAL LEAD IS MARKED AX2. ALWAYS TAKE INTERPOLE DROP BETWEEN A2 AND AX2. NOTE: NEMA DESIGNATION FOR AX2 IS LETTER C.
3. SPACE HEATERS, WHEN PROVIDED, WILL HAVE LEADS MARKED H1 AND H2, H3, H4, ETC.
4. THERMAL PROTECTOR, WHEN PROVIDED, WILL HAVE LEADS MARKED P1 AND P2, P3, P4, ETC.
5. WINDING WEAR RTD'S, WHEN PROVIDED, WILL HAVE LEAD MARKED W1.
6. BRUSH WEAR SENSOR, WHEN PROVIDED, WILL HAVE LEAD MARKED W1.
7. **WARNING** — MOTOR MUST BE GROUNDED TO PREVENT SERIOUS INJURIES TO PERSONNEL. GROUND THE MOTOR PER IEC, NATIONAL ELECTRICAL CODE AND ANY APPLICABLE LOCAL ELECTRICAL CODES. A TAPPED HOLE IS PROVIDED IN THE CONDUIT BOX, ON THE FOOT. FRAME BRACE OR OPPOSITE OPPOSITE DRIVE END BRACKET, ADJACENT TO THE TERMINAL BOX FOR FOR MOTOR GROUNDING. GROUND LEAD, WHEN PROVIDED, WILL BE GREEN.

CUSTOMER _____ RELIANCE _____
 ORDER NO. _____ S.O. NO. _____



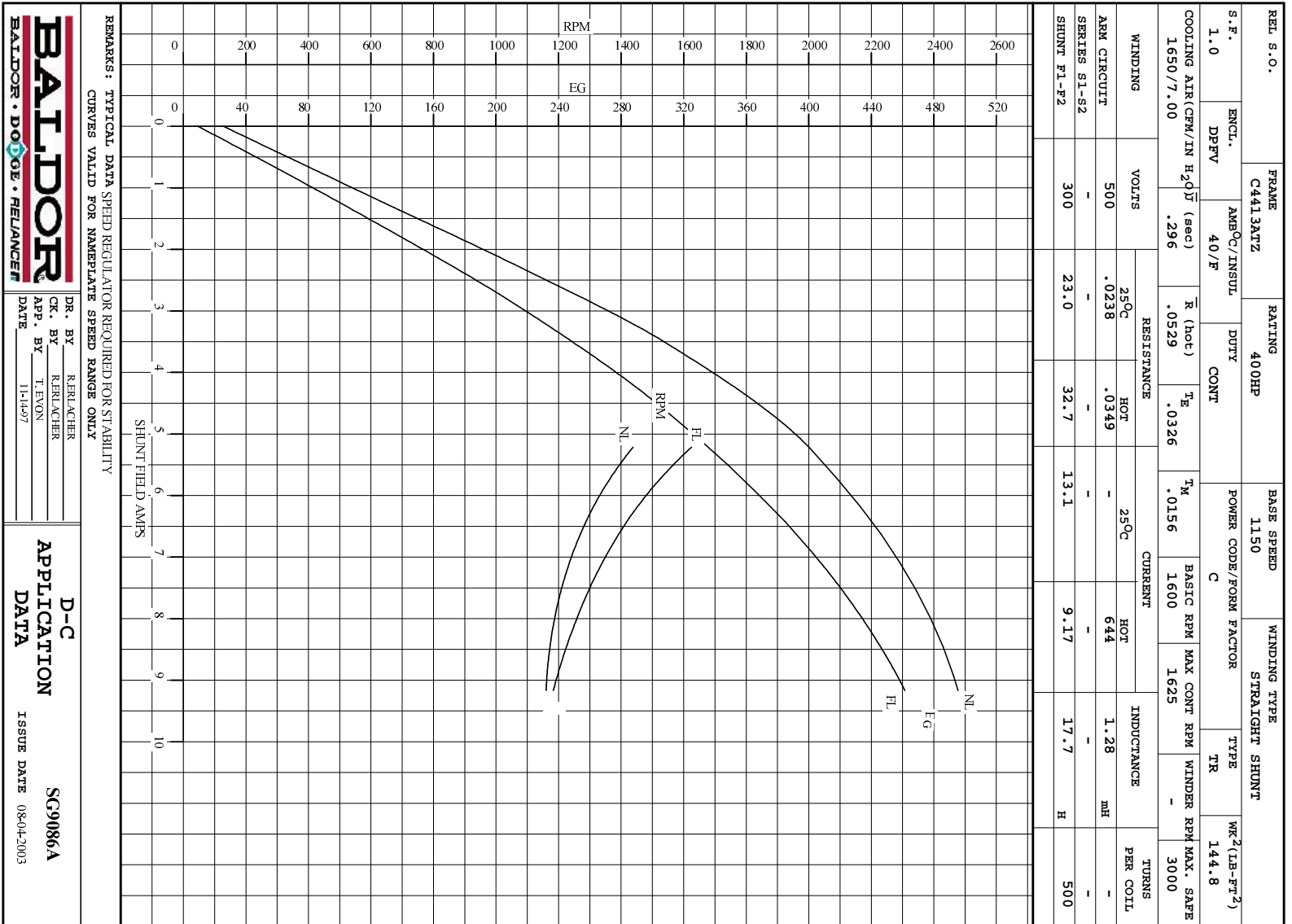
Rev. BY N.L. EVANS
 CK. BY N. JESCHKE
 App. BY E.J. HINER
 DATE 5-5-69

CONNECTION DIAGRAM

406770-6

ORIGINAL AT RCC

C/R 244907, 290048, 354478, 354480




REL. S.O.	FRAME	RATING	RPM	ARM. VOLTS	ARM. AMPS
	C4413ATZ	400HP	1150	500	644
WINDING TYPE	S.F.	ENCL.	AMB °C/INSUL	DUTY	FIELD VOLTS
STRAIGHT SHUNT	1.0	DPFV	40/F	CONT	300
POWER CODE	TYPE	WK 2 (LB-FT 2)	HOT ARM. CIR. RES.	FLD. AMPS@25 °C	HOT FIELD RES
C	TR	144.8	.0349	13.0	32.7

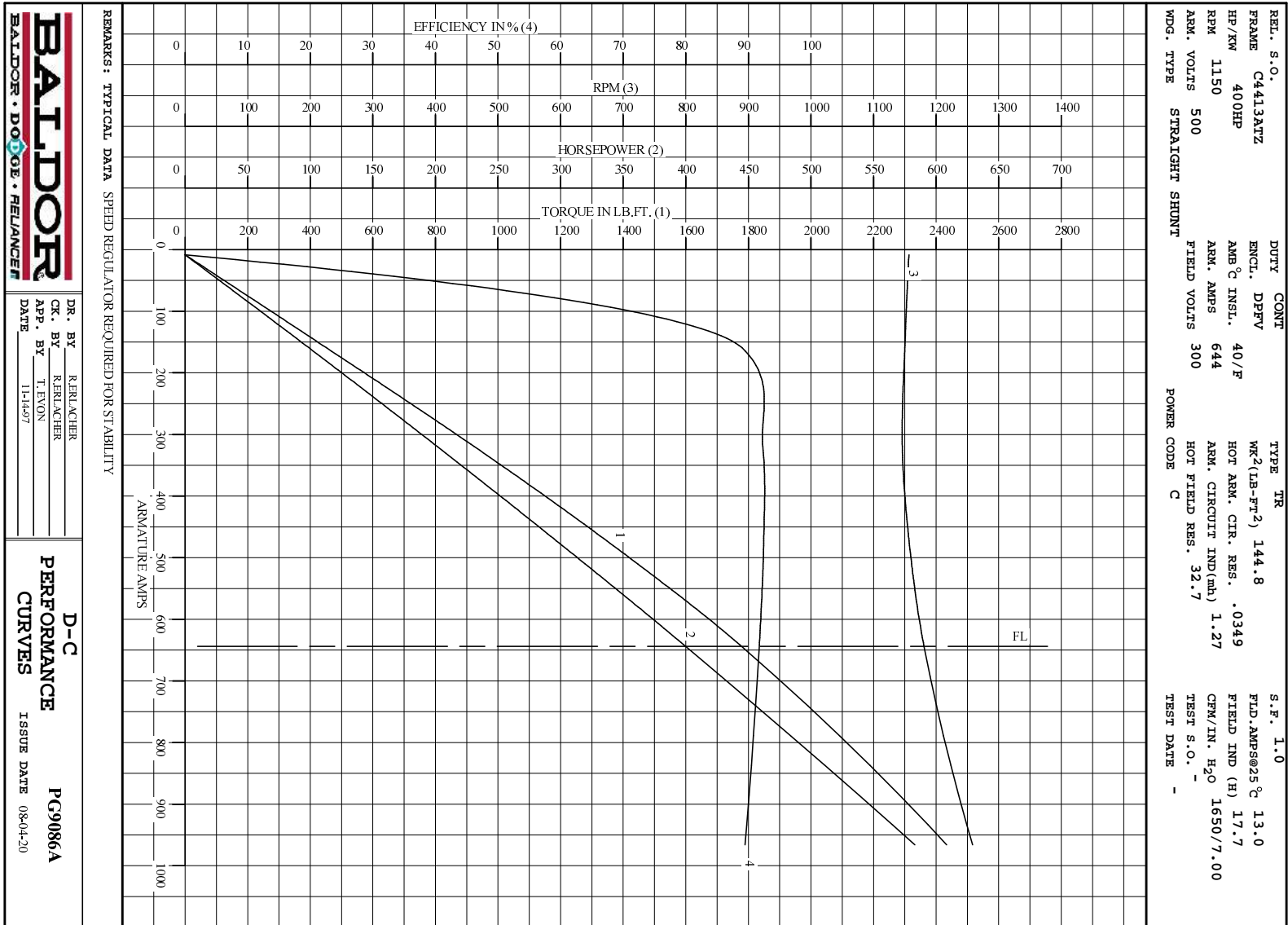
ARM. CIR. IND. (mh)	FIELD IND. (H)	COOLING AIR (CFM/IN H 20)	TURNS PER COIL SHUNT/SERIES	TEST DATE
1.27	17.7	1650/7.00	500/.00000	-

LOAD PERFORMANCE					
LOAD	AMPERES	TORQUE IN LB.-FT.	OUTPUT IN HP	RPM	% EFFICIENCY
NO LOAD	8.6	0	0	1157	0
1/4	161	457	100	1150	89.2
2/4	322	931	203	1146	92.3
3/4	483	1375	303	1158	92.4
4/4	644	1779	400	1181	91.7
O.L.	966	2433	583	1258	89.5

RPM VS. FIELD AMPS			Eg VS. FIELD AMPS		
FIELD AMPS	RPM N.L.	RPM F.L.	Eg N.L. @ BASE SPEED	Eg F.L. @ BASE SPEED	
9.17	1156	1180	495	461	
8.18	1180	1244	480	438	
7.19	1228	1329	461	410	
6.20	1309	1449	435	376	
5.21	1438	1625	399	336	

REMARKS: TYPICAL DATA
 MAXIMUM SAFE SPEED = 3000 RPM
 SPEED REGULATOR REQUIRED FOR STABILITY

	DR. BY R. BRÄGGER	D-C MOTOR PERFORMANCE DATA DG9086A ISSUE DATE 08-04-2003
	CK. BY R. BRÄGGER APP. BY T. EVON DATE 11-14-97	



DR. BY RERLACHER
 CK. BY RERLACHER
 APP. BY T. ENON
 DATE 11-14-97

D-C
PERFORMANCE
CURVES ISSUE DATE 08-04-20
PG9086A