

BALDOR® • RELIANCE

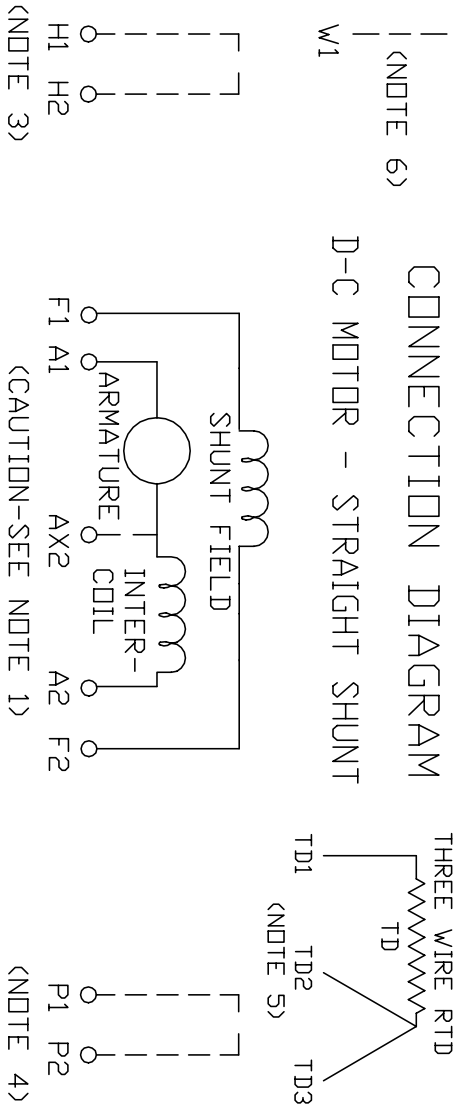
Product Information Packet

D5140R-BV

40HP, 1150RPM, DC, 2512ATZ, DPG-FV,

Copyright © All product information within this document is subject to Baldor Electric Company copyright © protection, unless otherwise noted.

Part Detail			
Type:	DC	Prod. Type:	TR
Power Code:	C	Weight:	610
Frame Group:	LC 2512ATZ	Mounting Pos.:	F1
HP:	40	Enclosure:	DPFV
RPM:	1150/2000	Wound:	STR. SHUNT
Service Factor:	1.0	Arm V:	500
Arm A:	72.00	Field V:	300
Field A:	5.27	Field A Hot:	3.51/1.69
Insulation Class:	F	Ambient:	40
Duty:	CONT	DE Bearing:	60BC03J30X
ODE Bearing:	50BC02J30X	Brushes:	419904-51G
Brush Qty.:			



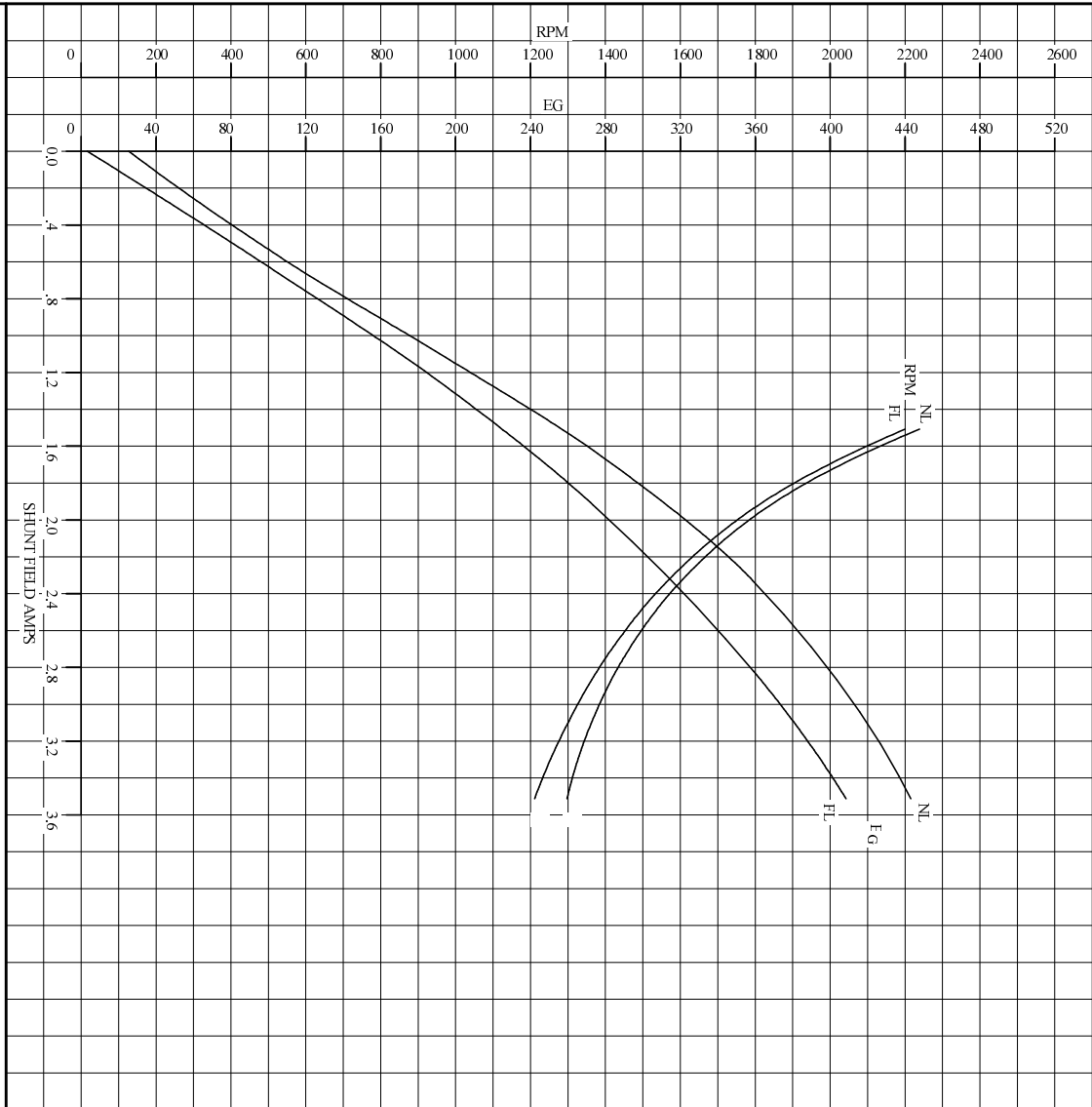
1. **CAUTION** — ARMATURE MAY HAVE MULTIPLE LEADS. CONNECT ALL LUGS WITH THE SAME MARKING TOGETHER.
2. OPTIONAL CONTROL SIGNAL LEAD IS MARKED AX2. ALWAYS TAKE INTERPOLE DROP BETWEEN A2 AND AX2. NOTE: NEMA DESIGNATION FOR AX2 IS LETTER C.
3. SPACE HEATERS, WHEN PROVIDED, WILL HAVE LEADS MARKED H1 AND H2, H3, H4, ETC.
4. THERMAL PROTECTOR, WHEN PROVIDED, WILL HAVE LEADS MARKED P1 AND P2, P3, P4, ETC.
5. WINDING RTD'S, WHEN PROVIDED, WILL HAVE LEAD MARKED W1.
6. BRUSH WEAR SENSOR, WHEN PROVIDED, WILL HAVE LEAD MARKED W1.
7. **WARNING** — MOTOR MUST BE GROUNDED TO PREVENT SERIOUS INJURIES TO PERSONNEL. GROUND THE MOTOR PER IEC, NATIONAL ELECTRICAL CODE AND ANY APPLICABLE LOCAL ELECTRICAL CODES. A TAPPED HOLE IS PROVIDED IN THE CONDUIT BOX, ON THE FOOT. FRAME BRACE OR OPPOSITE OPPOSITE DRIVE END BRACKET, ADJACENT TO THE TERMINAL BOX FOR FOR MOTOR GROUNDING. GROUND LEAD, WHEN PROVIDED, WILL BE GREEN.

CUSTOMER _____ RELIANCE _____
 ORDER NO. _____ S.O. NO. _____

<p style="font-size: small;">CLEVELAND, OHIO 44117 U.S.A.</p>	<p style="font-size: x-small;">REV. BY N.L. EVANS CK. BY N. JESCHKE APP. BY E.J. HINER DATE 5-5-69</p>
<p>CONNECTION DIAGRAM</p> <p style="font-size: large; font-weight: bold;">406770-6</p> <p style="font-size: x-small;">ORIGINAL AT RCC</p>	

C/R 244907, 290048, 354478, 354480

REF. S.O.	FRAME LC2512AT	RATING 40.0HP	BASE SPEED 1150	WINDING TYPE STRAIGHT SHUNT
S.F. ENCL. 1.0 DPEV	AMB°C/INSUL 40/F	DUTY CONT	POWER CODE/FORM FACTOR C	TYPE TR
COOLING AIR (CFM/IN H ₂ O) 425/2.00	\bar{R} (hot) .126	T_r .0144	T_m .0204	BASIC RPM MAX COUNT RPM WINDER RPM MAX. SAFE 2200
RESISTANCE	CURRENT		INDUCTANCE	
WINDING VOLTS	25°C .644	HOT .946	25°C 14.0	PER COIL -
ARM CIRCUIT	-		-	
SERIES S1-S2	-		-	
SHUNT F1-F2	56.9	85.4	5.27	3.51
				9.88
				H 750



REMARKS: TYPICAL DATA SPEED REGULATOR REQUIRED FOR STABILITY
CURVES VALID FOR NAMEPLATE SPEED RANGE ONLY

BALDOR	DR. BY ERLACHER	D-C
DOUG	CHK. BY ERLACHER	APPLICATION
RELIANCE	APP. BY T.S.MUN	DATA
	DATE 0-23-87	ISSUE DATE 05-13-96
		SG6032D

C/R


REL. S.O.	FRAME	RATING	RPM	ARM. VOLTS	ARM. AMPS
	LC2512AT	40.0HP	1150	500	72.0
WINDING TYPE	S.F.	ENCL.	AMB °C/INSUL	DUTY	FIELD VOLTS
STRAIGHT SHUNT	1.0	DPFV	40/F	CONT	300
POWER CODE	TYPE	WK 2 (LB-FT 2)	HOT ARM. CIR. RES.	FLD. AMPS@25 °C	HOT FIELD RES
C	TR	6.178	.945	5.27	85.4

ARM. CIR. IND. (mh)	FIELD IND. (H)	COOLING AIR (CFM/IN H 20)	TURNS PER COIL SHUNT/SERIES	TEST DATE
14.0	9.87	425/2.00	750/.00000	-

LOAD PERFORMANCE					
LOAD	AMPERES	TORQUE IN LB.-FT.	OUTPUT IN HP	RPM	% EFFICIENCY
NO LOAD	1.2	0	0	1290	0
1/4	18	44.9	10.8	1259	79.4
2/4	36	91.8	21.5	1232	84.0
3/4	54	136	31.4	1213	83.3
4/4	72	176	40.4	1206	81.2
O.L.	108	242	55.7	1207	75.4

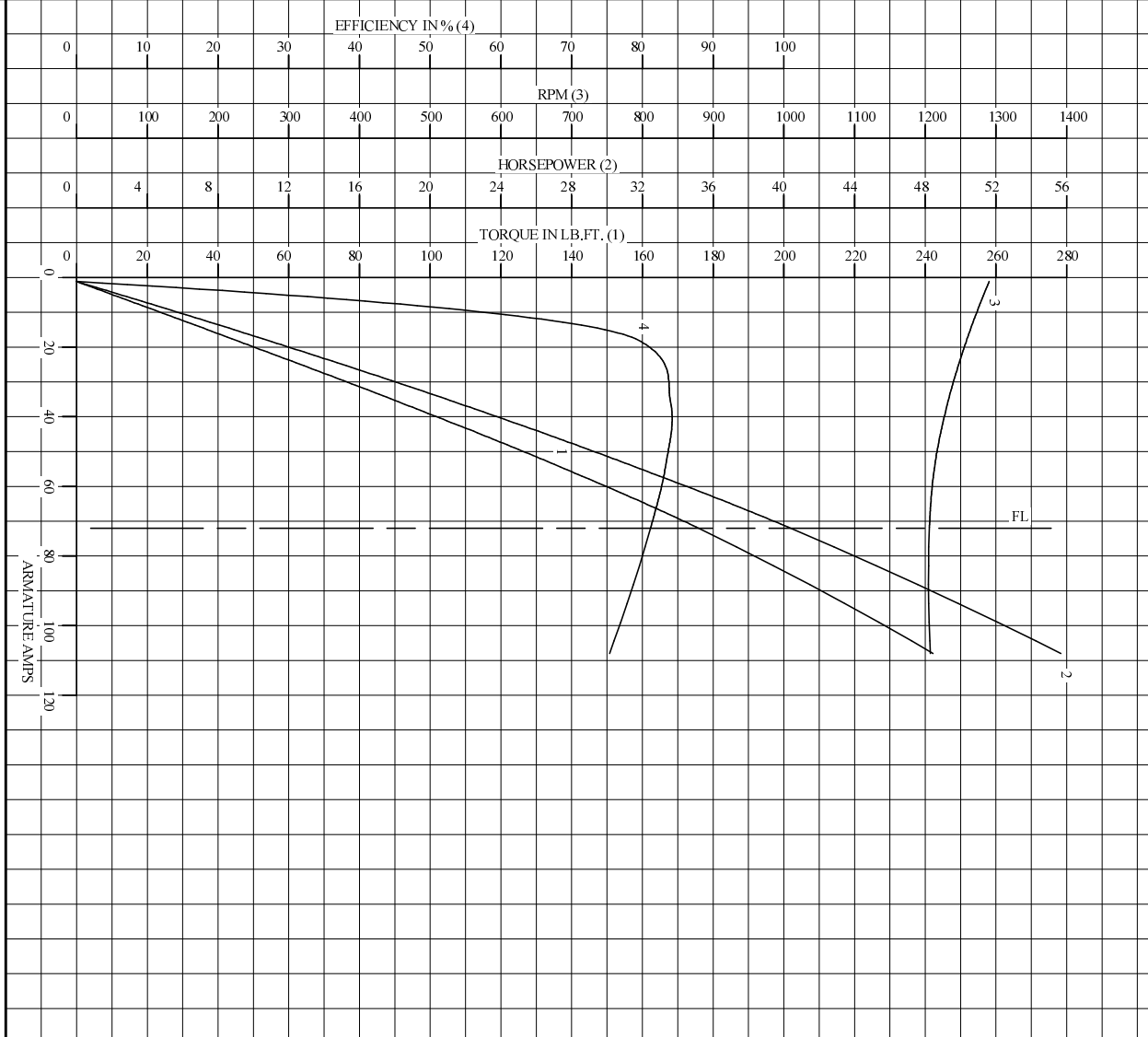
RPM VS. FIELD AMPS			Eg VS. FIELD AMPS		
FIELD AMPS	RPM N.L.	RPM F.L.	Eg N.L. @ BASE SPEED	Eg F.L. @ BASE SPEED	
3.51	1290	1205	443	408	
3.01	1381	1322	414	373	
2.51	1528	1487	375	332	
2.00	1778	1746	323	283	
1.50	2238	2200	256	224	

REMARKS: TYPICAL DATA
 MAXIMUM SAFE SPEED = 4500 RPM
 SPEED REGULATOR REQUIRED FOR STABILITY

	DR. BY ERLACHER	D-C MOTOR PERFORMANCE DATA DG6032D ISSUE DATE 05-13-96
	CK. BY ERLACHER	
	APP. BY T.S.EVON	
	DATE 05-28-87	

C/R -

REL. S.O.	IC2512AT	DUTY CONT	TYPE TR	S.F. 1.0
FRAME	40.0HP	ENCL. DPFV	WR ² (LB-FT ²)	6.178
HP/KW	11.50	AMB °C INSL.	HOT ARM. CIR. RES.	.945
RPM	500	ARM. AMPS	ARM. CIRCUIT IND(mh)	14.0
ARM. VOLTS	500	FIELD VOLTS	HOT FIELD RES.	85.4
MDG. TYPE	STRAIGHT SHUNT	POWER CODE	C	FLD.AMPS@25 °C
				5.27
				FIELD IND (H)
				9.87
				CFM/IN. H ₂ O
				425/2.00
				TEST S.O.
				-
				TEST DATE
				-



BALDOR
BALDOR • DOUGLASS • RELIANCE

DR. BY ERLACHER
CK. BY ERLACHER
APP. BY T.S.MYON
DATE 0-28-87

D-C
PERFORMANCE
CURVES

PG6032D
ISSUE DATE 05-13-96

C/R