

BALDOR® • *RELIANCE*

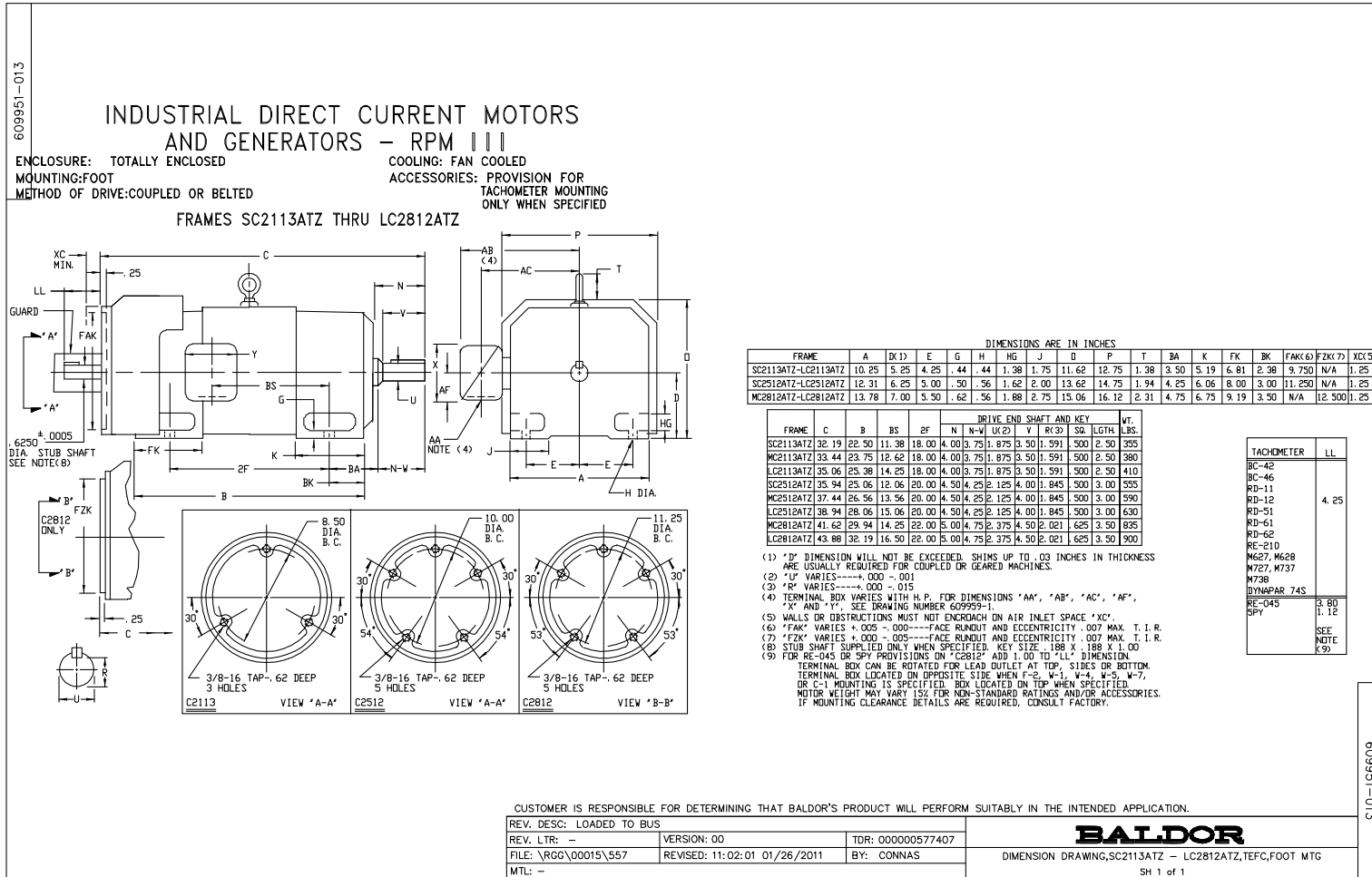
Product Information Packet

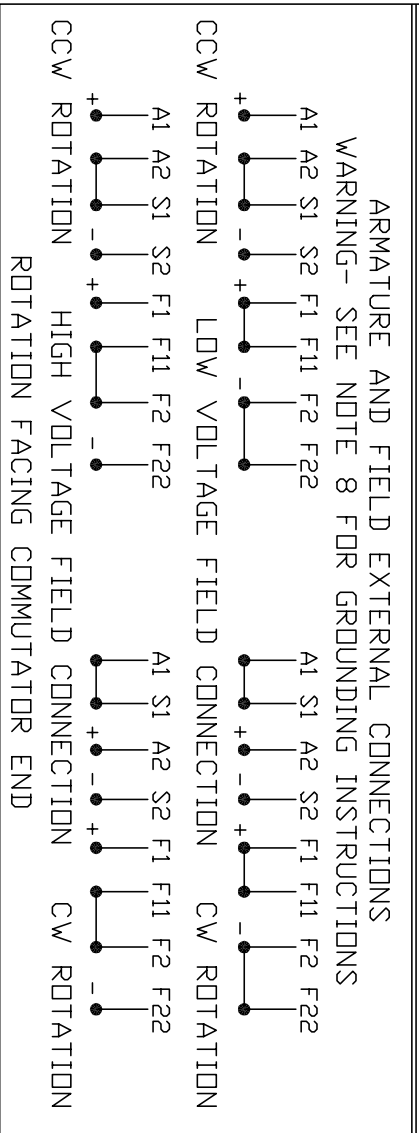
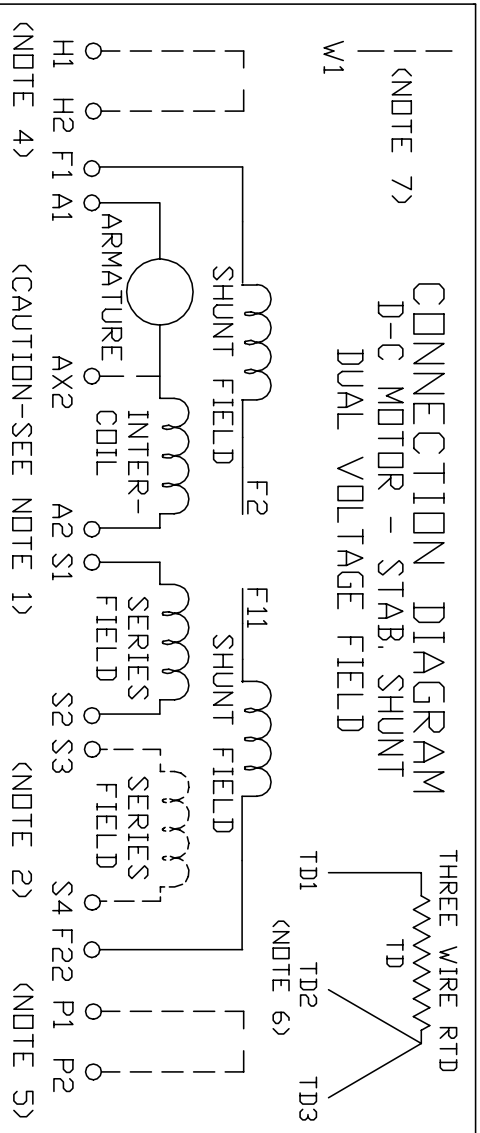
D5507R

7.50HP,1750RPM,DC,2113ATY,TEFC,

Copyright © All product information within this document is subject to Baldor Electric Company copyright © protection, unless otherwise noted.

Part Detail			
Type:	DC	Prod. Type:	TR
Power Code:	D	Weight:	359
Frame Group:	SC 2113ATZ	Mounting Pos.:	F1
HP:	7.5	Enclosure:	TEFC
RPM:	1750/2300	Wound:	STAB SHUNT
Service Factor:	1.0	Arm V:	500
Arm A:	13.50	Field V:	300
Field A:	1.41	Field A Hot:	1.01/.67
Insulation Class:	F	Ambient:	40
Duty:	CONT	DE Bearing:	50BC03J30X
ODE Bearing:	45BC02J30X	Brushes:	419904-51E
Brush Qty.:			






1. **CAUTION** — ARMATURE AND SERIES FIELD MAY HAVE MULTIPLE LEADS. CONNECT ALL LUGS WITH THE SAME MARKING TOGETHER.
2. OPTIONAL SERIES FIELD IS MARKED S3 AND S4. FOR CUMULATIVE SERIES FIELD, CONNECT S3 TO S2 AND CONNECT S4 TO NEGATIVE. FOR DIFFERENTIAL SERIES FIELD CONNECT S4 TO S2 AND S3 TO NEGATIVE.
3. OPTIONAL CONTROL SIGNAL LEAD IS MARKED AX2. ALWAYS TAKE INTERPOLE DROP BETWEEN A2 AND AX2. NOTE: NEMA DESIGNATION FOR AX2 IS LETTER C.
4. SPACE HEATERS, WHEN PROVIDED, WILL HAVE LEADS MARKED H1 AND H2, H3, H4, ETC.
5. THERMAL PROTECTOR, WHEN PROVIDED, WILL HAVE LEADS MARKED P1 AND P2, P3, P4, ETC.
6. WINDING RTDS, WHEN PROVIDED, WILL HAVE LEADS MARKED TD1, TD2, & TD3
7. BRUSH WEAR SENSOR, WHEN PROVIDED, WILL HAVE LEAD MARKED W1.
8. **WARNING** — MOTOR MUST BE GROUNDED TO PREVENT SERIOUS INJURIES TO PERSONNEL. GROUND THE MOTOR PER IEC, NATIONAL ELECTRICAL CODE AND ANY APPLICABLE LOCAL ELECTRICAL CODES. A TAPPED HOLE IS PROVIDED IN THE CONDUIT BOX, ON THE FOOT. FRAME BRACE OR OPPOSITE OPPOSITE DRIVE END BRACKET, ADJACENT TO THE TERMINAL BOX FOR FOR MOTOR GROUNDING. GROUND LEAD, WHEN PROVIDED, WILL BE GREEN.

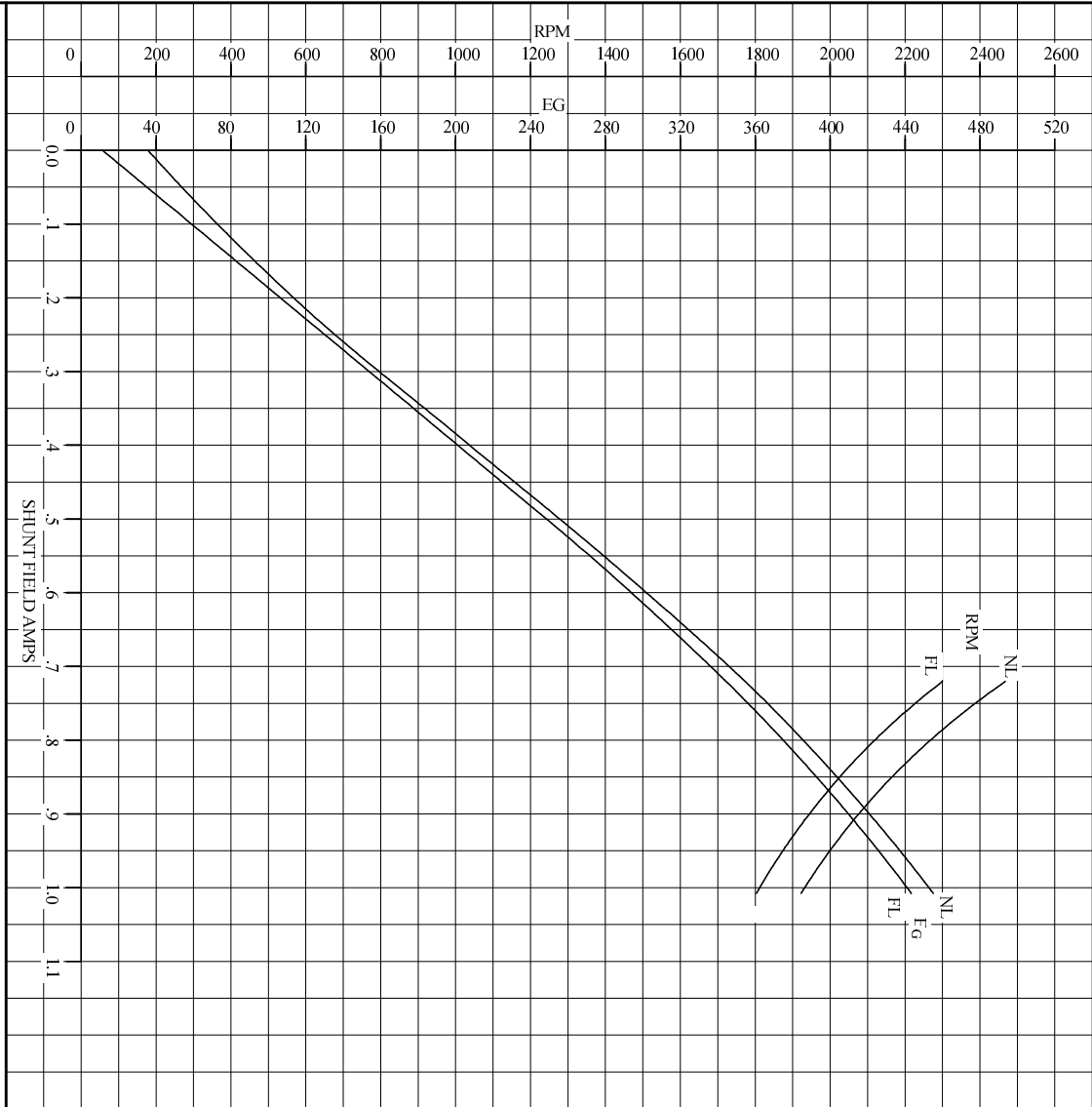
CUSTOMER _____ RELIANCE _____
 ORDER NO. _____ S.D. NO. _____

<p style="text-align: center;">RELIANCE ELECTRIC</p> <p style="text-align: center;">CLEVELAND, OHIO 44117 U.S.A.</p>	<p style="text-align: center;">Rev. by N.L. EVANS Ck. by N. JESCHKE App. by E. J. HINER DATE 5-5-69</p>
<p style="text-align: center;">CONNECTION DIAGRAM</p>	<p style="text-align: center; font-size: 24pt;">406770-2</p> <p style="text-align: center;">ORIGINAL AT RRC</p>

C/R 244907, 290048, 354478, 354480

REL. S.O.	FRAME	RATING	HP	ARM. VOLTS	ARM. AMPS
	SC2113AT	7.50HP	1750	500	13.5
WINDING TYPE	S.F.	ENCL.	AMB °C/INSUL	DUTY	FIELD VOLTS
STAB. SHUNT	1.0	TEFC	40/F	CONT	300
POWER CODE	TYPE	WK ² (LB-FT ²)	HOT ARM. CIR. RES.	FLD. AMPS@25 °C	HOT FIELD RES
C	TR	2.329	2.68	1.41	297
ARM. CIR. IND. (mh)	FIELD IND. (H)	COOLING AIR (CFM/IN H 20)	TURNS PER COIL SHUNT/SERIES	TEST DATE	
26.5	37.1	-/-	1450/2	-	
LOAD PERFORMANCE					
LOAD	AMPERES	TORQUE IN LB.-FT.	OUTPUT IN HP	HP	EFFICIENCY %
NO LOAD	1.1	0	0	1914	0
1/4	3.4	4.21	1.51	1883	55.8
2/4	6.8	10.4	3.65	1852	73.4
3/4	10	16.4	5.70	1825	78.8
4/4	14	22.3	7.65	1803	80.6
O.L.	20	33.5	11.3	1767	80.4
RPM VS. FIELD AMPS			Eg VS. FIELD AMPS		
FIELD AMPS	RPM N.L.	RPM F.L.	Eg N.L. @ BASE SPEED	Eg F.L. @ BASE SPEED	
1.00	1914	1803	455	443	
.935	2020	1892	433	421	
.863	2138	2001	409	397	
.792	2285	2134	383	372	
.720	2468	2300	354	344	
MAXIMUM SAFE SPEED = 4500 RPM					
REMARKS: TYPICAL DATA					
			DR. BY <u>E. H. GILLOU</u> CK. BY <u>E. H. GILLOU</u> APP. BY <u>T. S. EVON</u> DATE <u>10-30-86</u>		D-C MOTOR PERFORMANCE DATA DG6145B ISSUE DATE 10-30-86

REL. S. O.	FRAME SC2113AT	RATING 7.50HP	BASE SPEED 1750	WINDING TYPE STAB SHUNT
S. F. ENCL. 1.0 TEFC	AMB°C/INSUL 40/F	DUTY CONT	POWER CODE/FORM FACTOR C	TYPE TR
COOLING AIR (CFM/IN H ² O) -/-	\bar{R} (sec) .588	T_R .00951	T_M .0479	WINDER RPM MAX. SAFE 4500
RESISTANCE	CURRENT		INDUCTANCE	
25°C 1.99	HOT 2.68	25°C 13.5	HOT 13.5	26.6 mH
ARM CIRCUIT SERIES SI-S2 SHUNT FI-F2	.0312 212	.0421 298	- 1.42	- 37.1 H
				TURNS PER COIL 2.00 1.450



REMARKS: TYPICAL DATA
CURVES VALID FOR NAMEPLATE SPEED RANGE ONLY



DR. BY EHGILLOT
CK. BY EHGILLOT
APP. BY TASHVON
DATE 10-30-86

D-C APPLICATION DATA
SC6145B
ISSUE DATE 10-30-86

