

BALDOR® • RELIANCE

Product Information Packet

DEL3733TM

7.5HP, 1725RPM, 1PH, 60HZ, 215T, 3750LC, TEFC

Copyright © All product information within this document is subject to Baldor Electric Company copyright © protection, unless otherwise noted.

Part Detail									
Revision:	AP	Status:	PRD/A	Change #:		Proprietary:	No		
Type:	AC	Prod. Type:	3750LC	Elec. Spec:	37WGW659	CD Diagram:			
Enclosure:	TEFC	Mfg Plant:		Mech. Spec:	37F364	Layout:			
Frame:	215T	Mounting:	F1	Poles:	04	Created Date:			
Base:	RG	Rotation:	R	Insulation:	F	Eff. Date:	05-24-2012		
Leads:	2#10 A PH,3#14 B&J	Literature:		Elec. Diagram:		Replaced By:			
Nameplate NP1280L									
CAT.NO.	DEL3733TM								
SPEC.	37F364W659								
HP	7.5								
VOLTS	230								
AMP	28								
RPM	1725								
FRAME	215T	HZ			60	PH	1		
SER.F.	1.15	CODE			H	DES	L	CL	F
NEMA-NOM-EFF	85	PF			98				
RATING	50C AMB-CONT								
CC				USABLE AT 208V					
DE	6307	ODE			6206				
ENCL	TEFC	SN							

Parts List		
Part Number	Description	Quantity
SA030871	SA 37F364W659	1.000 EA
RA026910	RA 37F364W659	1.000 EA
OC3050F09SP	CYL OIL CAP 50MFD/370V	2.000 EA
TPLED1011SP	THERMAL 1PH 1.5 MAN REF LED941 TDR #5817	1.000 EA
EC1216C06SP	ELEC CAP, 216-259 MFD, 250V, 2.06D X 4.	4.000 EA
TP5059	GENERIC THERMAL KIT	1.000 EA
HW3200A01	3/8-16X3/4 I-BLT WELDED F/S	1.000 EA
37CB3804A04	CAPAC BOX MACH	1.000 EA
37CB2804	ADAPTER, 37 KO BOX (SHOE BOX)	2.000 EA
37GS1017	GASKET - CONDUIT BOX .06 THK NEOPRENE	4.000 EA
51XW2520A20	.25-20 X 1.25, TAPTITE II, HEX WSHR SLTD	4.000 EA
37CB4509	CAPAC BOX LID, STAMPED	1.000 EA
37GS3016	GASKET, CAPAC BOX LID	1.000 EA
51XW0832A07	8-32 X .44, TAPTITE II, HEX WSHR SLTD SE	6.000 EA
HA6003A47	CAPAC CLAMP	1.000 EA
HA6003A45	CAPAC CLAMP - CLIP (WHITE ZINC PLATED)	2.000 EA
51XB1016A07	10-16 X 7/16 HXWSSLD SERTYB	4.000 EA
HA2001A09	SPACER, .218 ID X .937 LG	2.000 EA
RM1015	BOOT FOR MANUAL THERMALS	1.000 EA
51XN1032A28	10-32 X 1 3/4 HX WS SL SR	2.000 EA
XY1032A02	10-32 HEX NUT DIRECTIONAL SERRATION	2.000 EA
11XW1032G06	10-32 X .38, TAPTITE II, HEX WSHR SLTD U	1.000 EA
HW3001B01	003SS CUP WASHER, FOR #8 SCREW	1.000 EA
37EP3101A01SP	FR ENDPLATE,TEFC, 37 L&M, W/GREASER	1.000 EA

Parts List (continued)		
Part Number	Description	Quantity
HW4500A01	1641B(ALEMITE)400 UNIV, GREASE FITT	1.000 EA
13XT0832A07	8-32X7/16 TYP 23 PAN HD SLT DX	6.000 EA
HW5100A06	W2420-025 WVY WSHR (WB)	1.000 EA
37EP3100B19	FR/PU ENDPLATE, MACH	1.000 EA
HW4500A01	1641B(ALEMITE)400 UNIV, GREASE FITT	1.000 EA
XY3118A12	5/16-18 HEX NUT DIRECTIONAL SERRATION	4.000 EA
36FN2003A02SP	EXFN XP PULLEY, ALUM, 7.38 OD, 1.379 ID	1.000 EA
80XN2520A06	1/4-20 X 3/8 SET SCREW	2.000 EA
37FN3002A01SP	EXFN, PLASTIC, 9.00 OD, 1.155 ID	1.000 EA
51XB1214A20	12-14X1.25 HXWSSLD SERTYB	1.000 EA
07FH4007A06	IEC FH W/GRS, NOT @6, 3 F/C HOL & NOT FO	1.000 EA
51XW1032A06	10-32 X .38, TAPTITE II, HEX WSHR SLTD S	3.000 EA
37FH4001A02	FAN COVER 37 FR.END W/GREASER	1.000 EA
51XW1032A06	10-32 X .38, TAPTITE II, HEX WSHR SLTD S	3.000 EA
HW2501F21	KEY, 5/16 SQ X 2.375	1.000 EA
HA7000A02	KEY RETAINER RING, 1 1/8 DIA, 1 3/8 DIA	1.000 EA
85XU0407S04	4X1/4 U DRIVE PIN STAINLESS	2.000 EA
LB1115	LABEL,LIFTING DEVICE	1.000 EA
MJ1000A75	GREASE, POLYREX EM EXXON	0.050 LB
MG1025Z20	ACTIVATOR WILKOFAS 060.32	0.010 GA
SP5067A08	MODEL 37 HIGH CURRENT SWITCH LEAD CONFIG	1.000 EA
WD1000A03	41531 AMP FLG.TERM,4M/REEL(2.5MIL)	12.000 EA
LD5000A24	LEAD ASSY, ML1400DF10 W/#10 RING 12"	1.000 EA
NS2500A02	INSULATOR, MAN THER PROT	1.000 EA

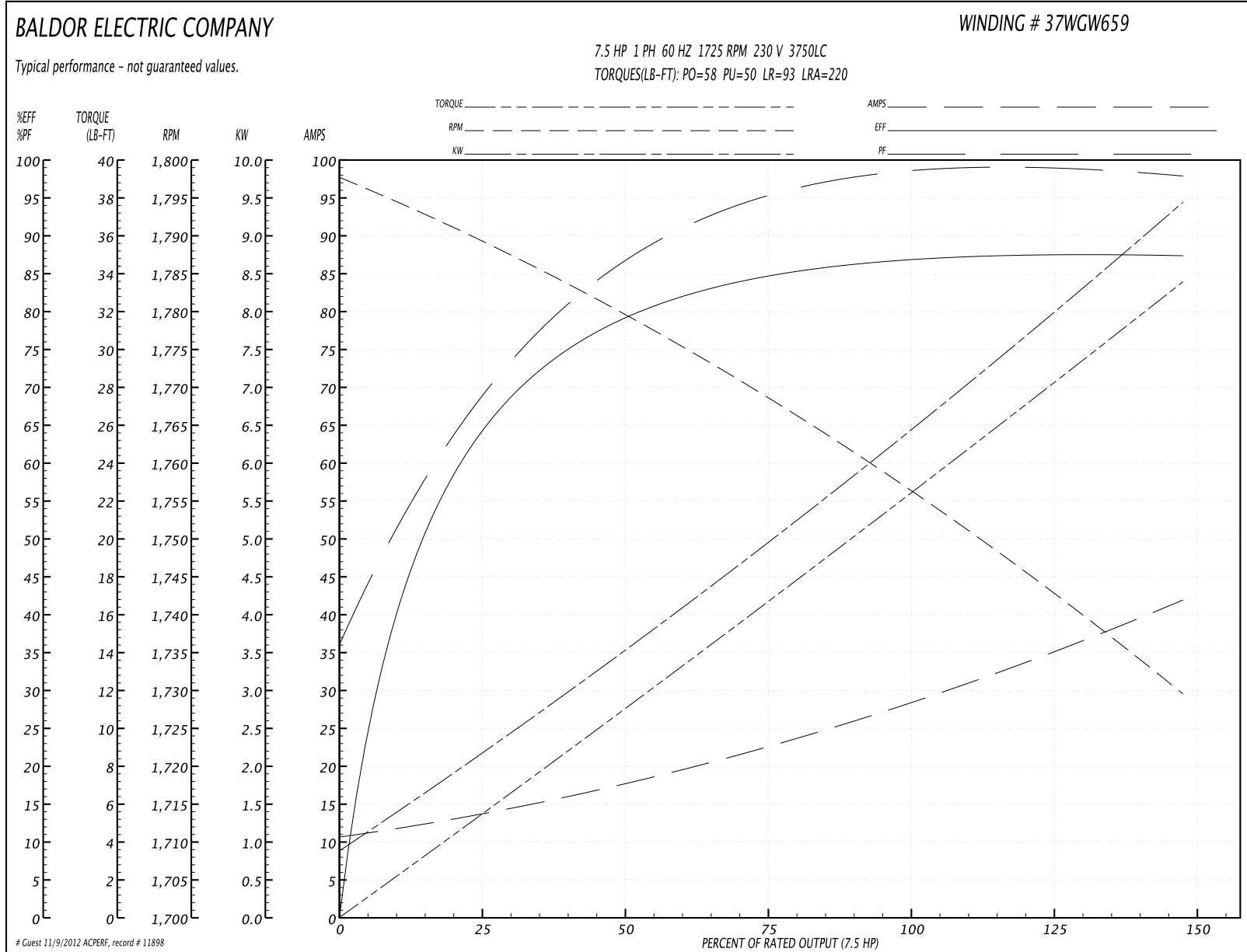
Parts List (continued)		
Part Number	Description	Quantity
HA3104A24	THRUBOLT- 5/16-18 X14.375 X	4.000 EA
MG1025C02	PAINT, 787.105 LITE TAN EPOXY (USE W/MG1	0.028 GA
LB1119	WARNING LABEL	1.000 EA
LB1125C01	STD (STOCK) CARTON LABEL BALDOR WITH FLA	1.000 EA
LB1087	LABEL,MANUAL RESET (ROLL LABEL)	1.000 EA
LC0002	CONNECTION LABEL	1.000 EA
NP1280L	ALUM FARM DUTY UL CSA CC THERMAL	1.000 EA
37PA1052	PACKAGING GROUP, 150 LB MTR 2 X 4 RUNNER	1.000 EA

Performance Data at 230V, 60Hz, 7.5HP (Typical performance - Not guaranteed values)

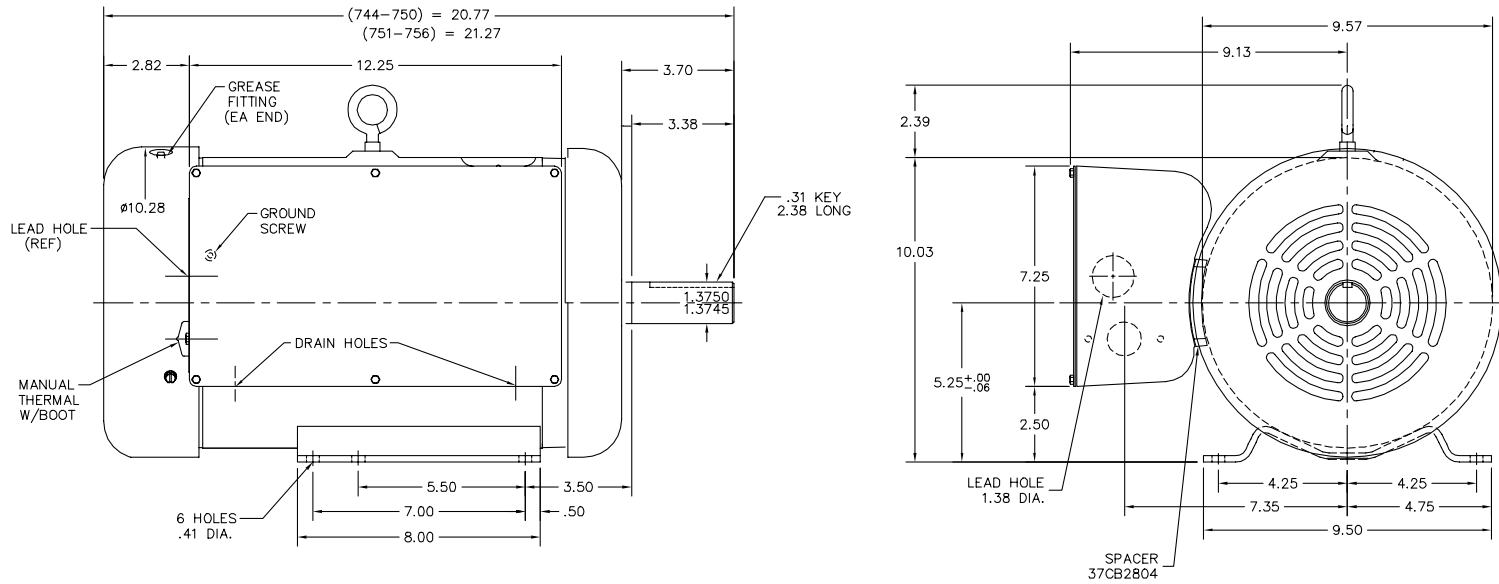
General Characteristics			
Full Load Torque:	22.4 LB-FT	Start Configuration:	DOL
No-Load Current:	10.8 Amps	Break-Down Torque:	58.0 LB-FT
Line-line Res. @ 25°C.:	0.271 Ohms A Ph / 0.579 Ohms B Ph	Pull-Up Torque:	50.0 LB-FT
Temp. Rise @ Rated Load:	72 C	Locked-Rotor Torque:	93.0 LB-FT
Temp. Rise @ S.F. Load:	88 C	Starting Current:	220.0 Amps

Load Characteristics							
% of Rated Load	25	50	75	100	125	150	S.F.
Power Factor:	70.0	87.0	95.0	98.0	99.0	99.0	0.0
Efficiency:	64.3	79.0	84.7	87.1	87.7	87.2	0.0
Speed:	1789.0	1779.0	1768.0	1757.0	1744.0	1729.0	0.0
Line Amperes:	13.6	17.7	22.8	28.5	34.8	41.9	32.3

Performance Graph at 230V, 60Hz, 7.5HP Typical performance - Not guaranteed values



37LYF364



37LYF364

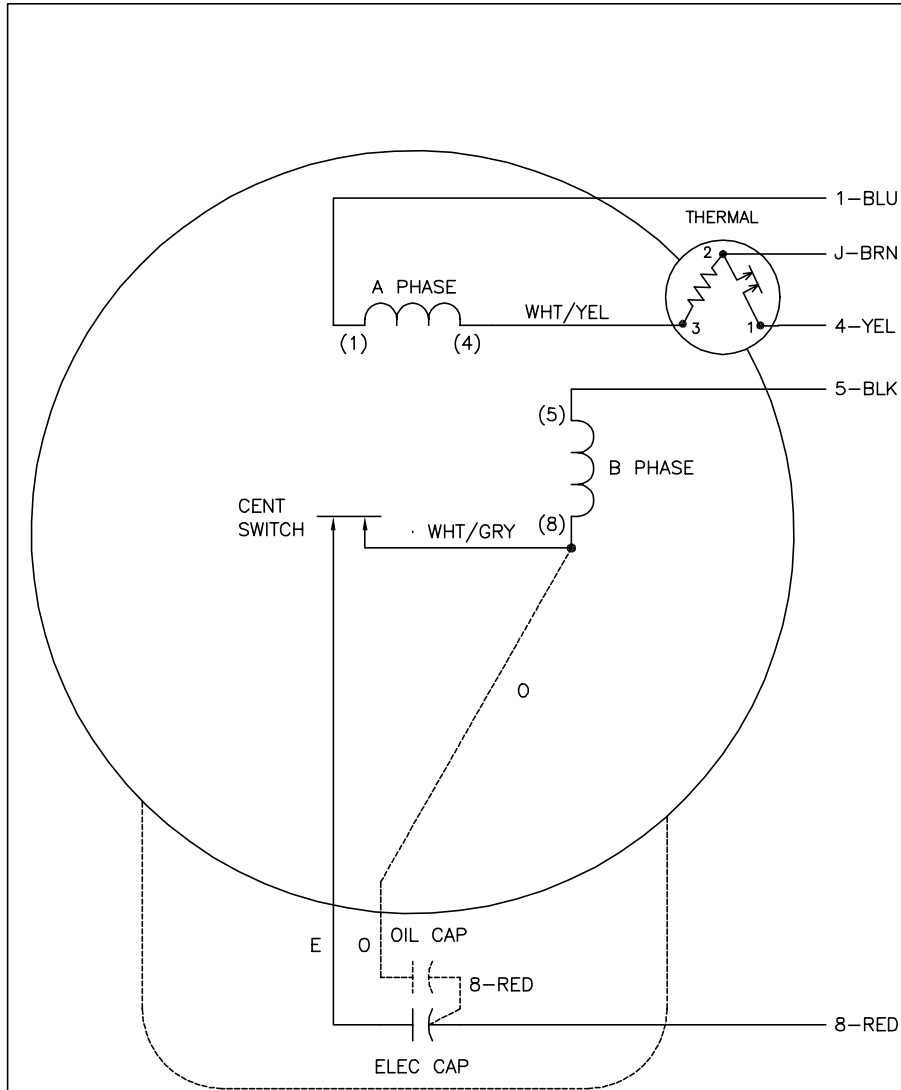
CUSTOMER IS RESPONSIBLE FOR DETERMINING THAT BALDOR'S PRODUCT WILL PERFORM SUITABLY IN THE INTENDED APPLICATION.

REV. DESC: ADD SPACER 37CB2804	VERSION: 02	TDR: 00000732906
REV. LTR: K	REVISED: 02:10:58 04/03/2012	BY: ENTANW0
FILE: \AAA\00003\105		
MTL: -		

BALDOR

HORZ 213-5T TEFC 37LC,DUAL EXT FAN,FARM DUTY W/LE MTO,SP5067
SH 1 of 1

CD0152



	LINE A	LINE B	JOIN
STD	1,8	4	J,5
OPP	1,5	4	J,8

NOTES:

1. STANDARD ROTATION IS CCW FACING END OPPOSITE SHAFT EXTENSION.
2. MULTIPLE CAPACITORS ARE CONNECTED IN PARALLEL UNLESS OTHERWISE SPECIFIED.
3. OPTIONAL OIL CAPACITOR IS PROVIDED WHEN SPECIFIED.
4. CAPACITORS MAY BE SEPERATELY MOUNTED.
5. LEAD COLORS ARE OPTIONAL. LEADS MUST ALWAYS BE NUMBERED AS SHOWN.

REV. DESC: REMOVE OPTIONAL THERMAL CONNECTION		
REV. LTR: D	VERSION: 01	TDR: 000000373039
ZS1000	FILE: \AAA\00026\903	REVISED: 11:23:45 08/11/2005
	MTL: -	BY: ENJOEPO

BALDOR ELECTRIC Co.

TYPE L OR LC, SV, REV, 5 LDS, THERM, CAPS MAY BE SEP MTD

CD0152