

BALDOR® • *RELIANCE*

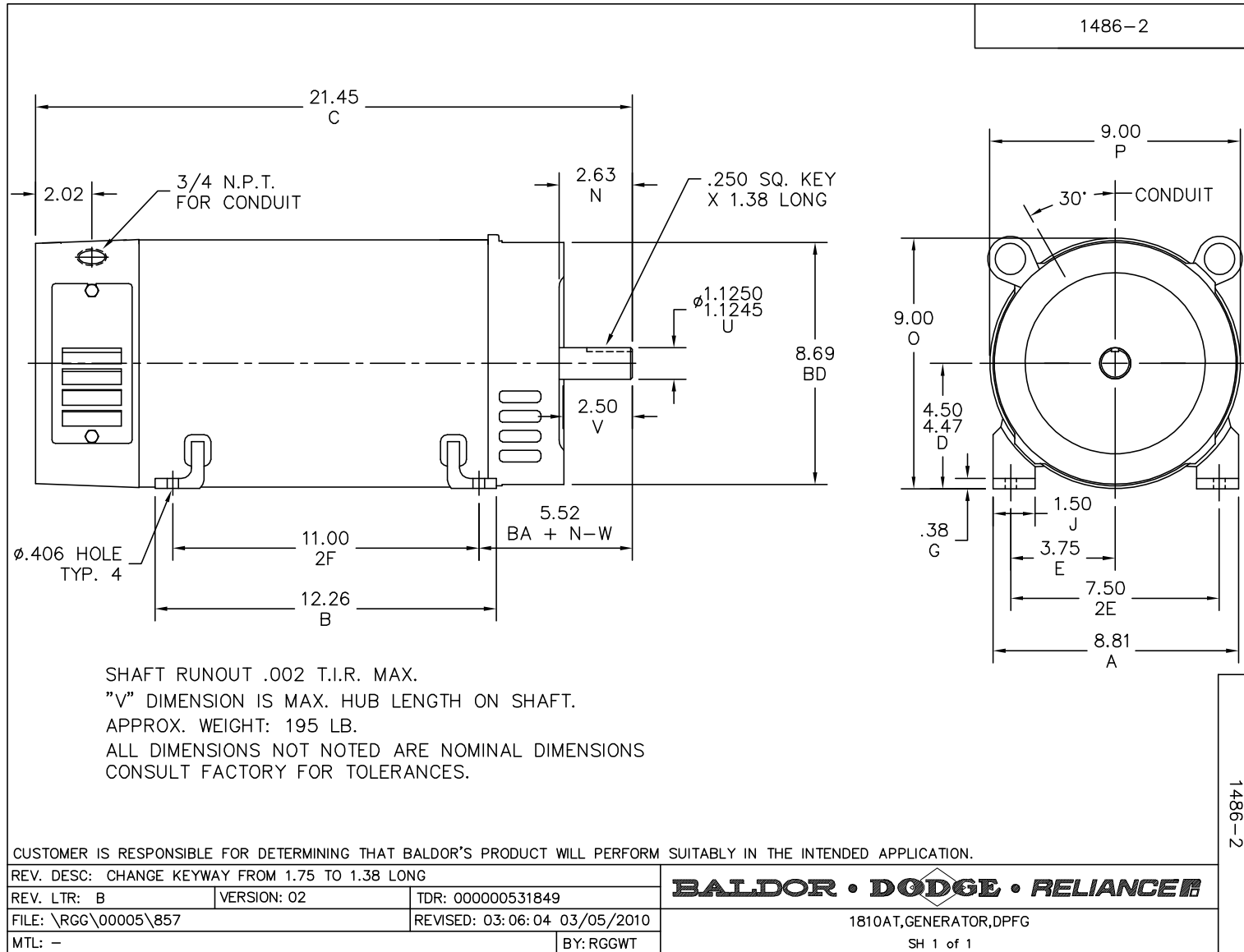
Product Information Packet

DMG2305

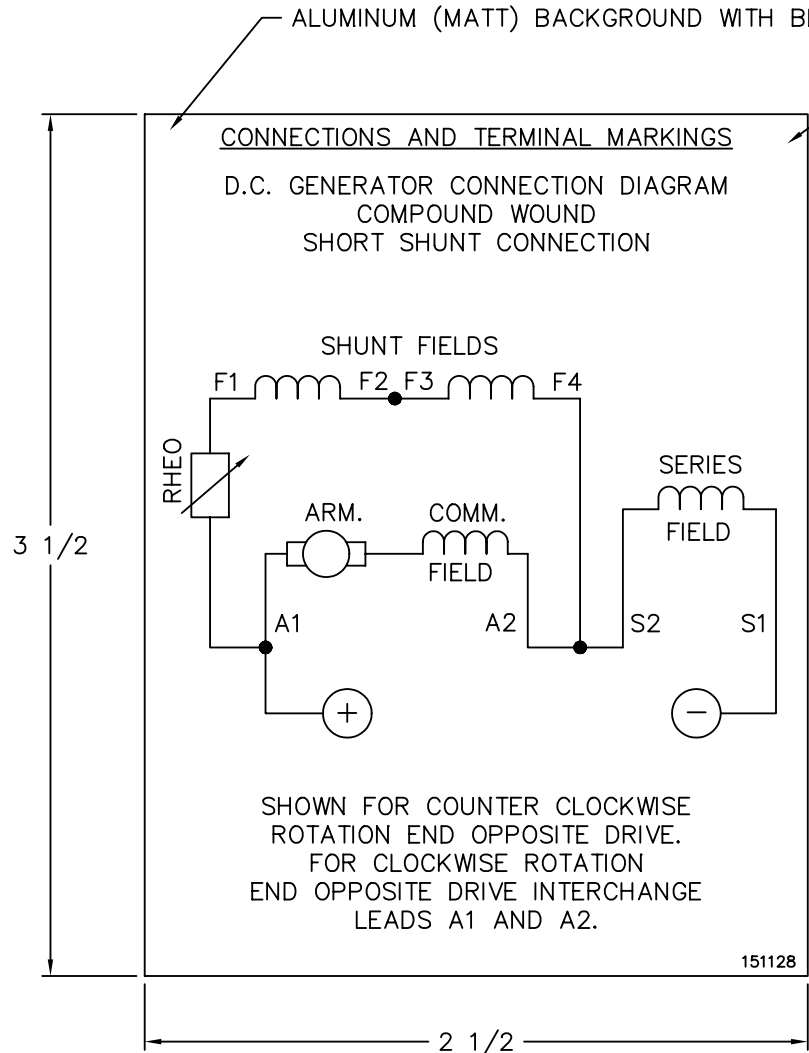
5KW,2500RPM,DC,1810AT,DPFG,TOD

Copyright © All product information within this document is subject to Baldor Electric Company copyright © protection, unless otherwise noted.

Part Detail			
Type:	DC	Prod. Type:	T
Power Code:	A	Weight:	220
Frame Group:	1810AT	Mounting Pos.:	F1
HP:	5	Enclosure:	DPFG
RPM:	2500	Wound:	COMPOUND
Service Factor:	1.0	Arm V:	230
Arm A:	21.70	Field V:	230
Field A:	.86	Field A Hot:	.62
Insulation Class:	F	Ambient:	40
Duty:	CONT	DE Bearing:	6206
ODE Bearing:	6205	Brushes:	18044-4
Brush Qty.:			



151128



LABEL MANUFACTURER IDENTIFYING MARK TO APPEAR HERE

NOTE:
MATERIAL .005 MINIMUM FULL HARD ALUMINUM DULL FINISH.
TEMP. RANGE -20°C TO +125°C MAXIMUM.
FOR INDOOR AND OUTDOOR MOUNTING BACK.
METAL, PRESSURE SENSITIVE BACK. MUST MEET CSA STANDARD.
THE CSA IDENTIFYING MARK OF THE LABEL MANUFACTURER MUST APPEAR IN THE UPPER RIGHT HAND CORNER AS INDICATED.

UNLESS OTHERWISE SPECIFIED,
BREAK ALL SHARP EDGES .010/.020.
REMOVE ALL BURRS.

TOLERANCES

.X ±.015	FRACTIONS ±1/32
.XX ±.010	RADII ±1/16
.XXX ±.005	ANGLES ±1°

MATL: NOTED			
REV: A	CHANGE ALL "NAMEPLATE" TEXT TO "LABEL"		
8Z1191	SCALE: -	BY: BKW	REVISED: 02/19/97
	FILE: CHB00003088	TDR: 0115147	

BALDOR ELECTRIC Co.

LABEL, CONNECTIONS AND TERMINAL MARKINGS DC GENERATORS

151128


REL S.O.	FRAME	RATING	RPM	ARM. VOLTS	ARM. AMPS
	1810	5.00HP	2500	230	21.7
WINDING TYPE		S.F.	ENCL.	AMB °C/INSUL	DUTY
STAB. SHUNT		1.0	DPG	40/F	CONT
					230
POWER CODE	TYPE	WK ² (LB-FT ²)	HOT ARM.CIR.RES.	FLD. AMPS@25 °C	HOT FIELD RES
A	T	.9565	.442	.860	370

ARM. CIR. IND. (mh)	FIELD IND. (H)	COOLING AIR(CFM/IN H 20)	TURNS PER COIL SHUNT/SERIES	TEST DATE
6.36	139	-/-	2300/7	-

LOAD PERFORMANCE					
LOAD	AMPERES	TORQUE IN OZ.-FT.	OUTPUT IN HP	RPM	% EFFICIENCY
NO LOAD	456	0	0	2520	0
1/4	5.4	0	0	2480	0
2/4	11	0	0	2441	0
3/4	16	0	0	2416	0
4/4	22	0	0	2373	0
O.L.	33	0	0	2311	0

RPM VS. FIELD AMPS			Eg VS. FIELD AMPS		
FIELD AMPS	RPM N.L.	RPM F.L.	Eg N.L. @ BASE SPEED	Eg F.L. @ BASE SPEED	
.620	2520	2372	226	220	
.579	2517	2735	225	218	
.537	2521	2753	223	216	
.495	2554	2775	219	213	
.454	2614	2800	215	210	

REMARKS: TYPICAL DATA

	DR. BY E. GILLLOT	D-C MOTOR PERFORMANCE DATA DK00006B ISSUE DATE 02-07-2008
	CK. BY B. GRANT APP. BY R. ERLACHER DATE 02-27-2008	