

BALDOR® • *RELIANCE*

Product Information Packet

EBM3157T

2HP, 1725RPM, 3PH, 60HZ, 145T, BRAKE

Copyright © All product information within this document is subject to Baldor Electric Company copyright © protection, unless otherwise noted.

Part Detail									
Revision:	B	Status:	PRD/A	Change #:		Proprietary:	No		
Type:	AC	Prod. Type:	3525M	Elec. Spec:	35WGM496	CD Diagram:			
Enclosure:	OPEN	Mfg Plant:		Mech. Spec:	35BB021	Layout:			
Frame:	145T	Mounting:	F1	Poles:	04	Created Date:	10-20-2010		
Base:	RG	Rotation:	R	Insulation:	F	Eff. Date:	05-31-2012		
Leads:	9#18	Literature:		Elec. Diagram:		Replaced By:			
Nameplate NP1259L									
CAT.NO.	EBM3157T								
SPEC.	35BB021M496G1								
HP	2								
VOLTS	230/460								
AMP	5.8/2.9								
RPM	1750								
FRAME	145T	HZ			60	PH	3		
SER.F.	1.15	CODE			K	DES	B	CL	F
NEMA-NOM-EFF	86.5	PF			76				
RATING	40C AMB-CONT								
CC	010A	USABLE AT 208V			5.8				
DE	6205	ODE			6203				
ENCL	OPEN	SN							

Parts List		
Part Number	Description	Quantity
SA204966	SA 35BB021M496G1	1.000 EA
RA192214	RA 35BB021M496G1	1.000 EA
S/P107-000-001	SUPER E PROC'S-FS & WS PLTS-POLYREX EM G	1.000 EA
NS2512A01	INSULATOR, CONDUIT BOX X	1.000 EA
35CB3009	35 CB CASTING W/1.09 DIA. LEAD HOLE @ 6:	1.000 EA
51XB1016A07	10-16 X 7/16 HXWSSLD SERTYB	2.000 EA
11XW1032G06	10-32 X .38, TAPTITE II, HEX WSHR SLTD U	1.000 EA
35EP3900A02	FR ENDPLATE, MACH X	1.000 EA
HW4500A01	1641B(ALEMITE)400 UNIV, GREASE FITT	1.000 EA
HW5100A03SP	WAVY WASHER (W1543-017)	1.000 EA
35EP3200A01	STD PU ENDPLATE-OPEN-205 BRG W/GREASER	1.000 EA
HW4500A01	1641B(ALEMITE)400 UNIV, GREASE FITT	1.000 EA
XY1032A02	10-32 HEX NUT DIRECTIONAL SERRATION	4.000 EA
HW2501D10	KEY, 3/16 SQ X 1.000	1.000 EA
35CB4521	35 LIPPED CB LID (GALV & PHOSPH)	1.000 EA
51XW0832A07	8-32 X .44, TAPTITE II, HEX WSHR SLTD SE	4.000 EA
HW2501D13SP	KEY, 3/16 SQ X 1.375	1.000 EA
HA7000A01	KEY RETAINER 7/8" DIA SHAFT	1.000 EA
85XU0407S04	4X1/4 U DRIVE PIN STAINLESS	2.000 EA
MJ1000A75	GREASE, POLYREX EM EXXON	0.050 LB
84XN3816J28	HEX SOC HD, 3/8-16 X 1.75 LONG	2.000 EA
MG1000Y03	WILKO 689.710 GOLD PAINT SUPER E	0.017 GA
HA3100A18	THRUBOLT 10-32 X 9.250	4.000 EA
76BK3100BQF	1-056-031-00-BQF BRAKE TDR# 79345	1.000 EA

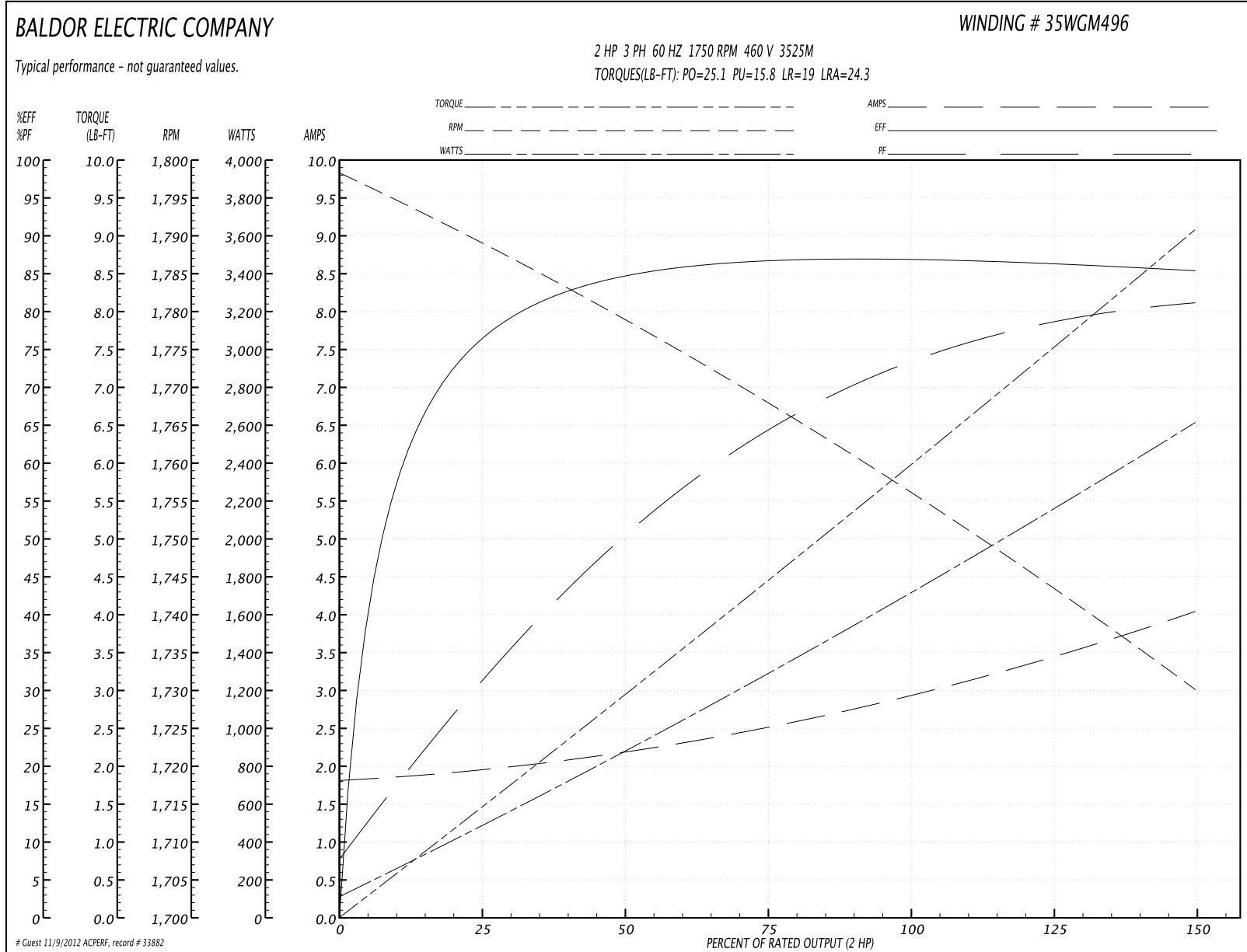
Parts List (continued)		
Part Number	Description	Quantity
LC0005E01	CONN.DIA./WARNING LABEL (LC0005/LB1119)	1.000 EA
LB1125C02	SUPER-E (STOCK CTN LABEL SUPER-E WITH FL	1.000 EA
LB1357	ENERGY GUIDE LABEL (BOX LABEL)	1.000 SH
NP1259L	ALUM SUPER-E UL CSA-EEV CC NEMA PREMIUM	1.000 EA
36PA1000	PACK GROUP W/LB5001	1.000 EA

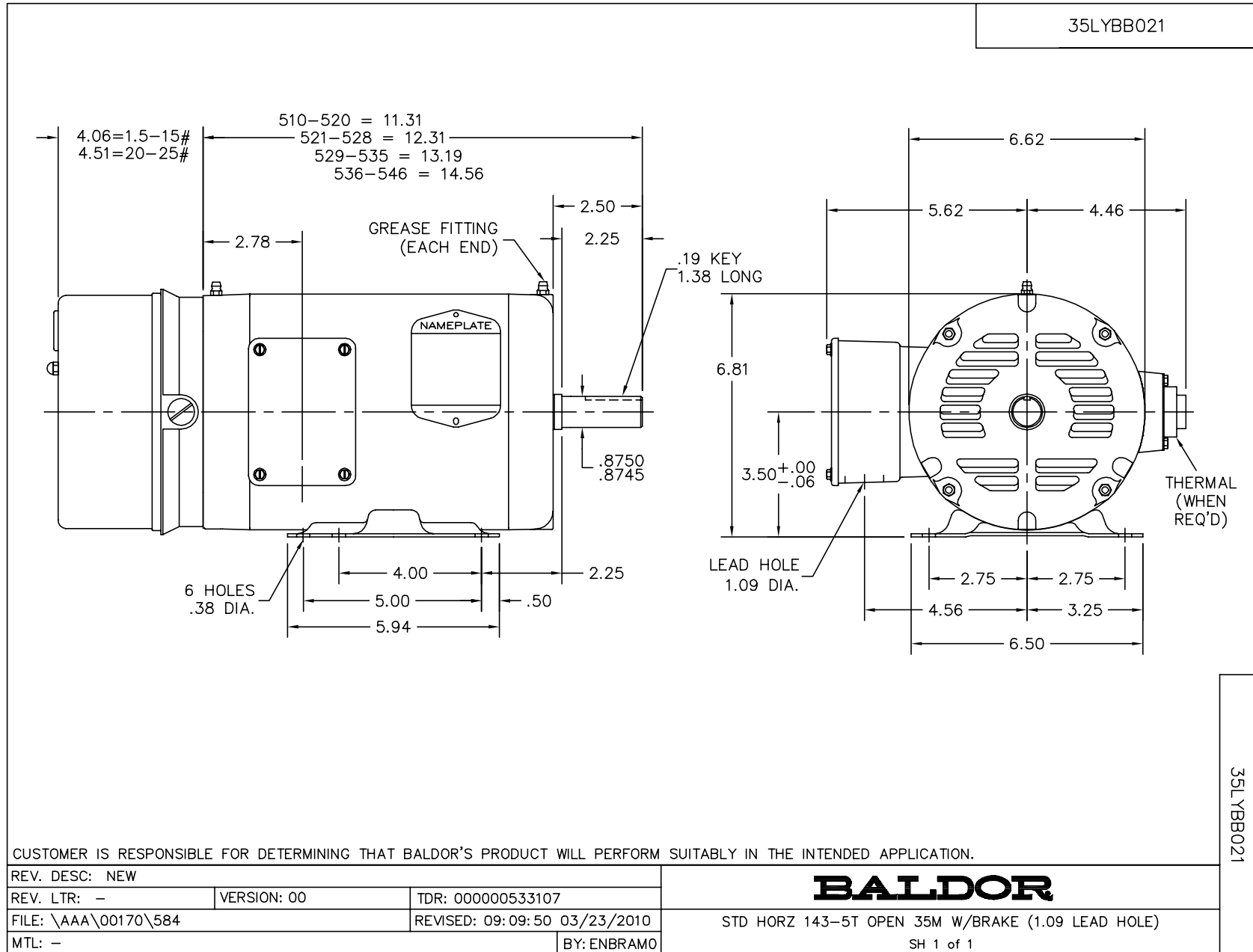
Performance Data at 460V, 60Hz, 2.0HP (Typical performance - Not guaranteed values)

General Characteristics			
Full Load Torque:	5.96 LB-FT	Start Configuration:	DOL
No-Load Current:	1.83 Amps	Break-Down Torque:	25.1 LB-FT
Line-line Res. @ 25°C.:	7.5814 Ohms A Ph / 0.0 Ohms B Ph	Pull-Up Torque:	15.8 LB-FT
Temp. Rise @ Rated Load:	40 C	Locked-Rotor Torque:	19.0 LB-FT
Temp. Rise @ S.F. Load:	47 C	Starting Current:	24.3 Amps

Load Characteristics							
% of Rated Load	25	50	75	100	125	150	S.F.
Power Factor:	32.0	51.0	64.0	73.0	78.0	82.0	76.0
Efficiency:	76.0	84.4	86.6	86.9	86.4	85.2	86.6
Speed:	1788.5	1778.5	1767.8	1756.9	1744.4	1729.4	1749.0
Line Amperes:	1.94	2.16	2.52	2.95	3.45	4.03	3.25

Performance Graph at 460V, 60Hz, 2.0HP Typical performance - Not guaranteed values





CD0005

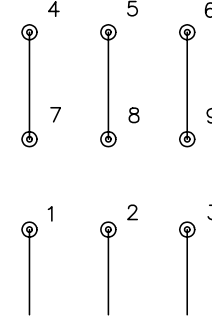


LOW VOLTAGE (2Y)



LINE

HIGH VOLTAGE (1Y)



LINE

NOTES:

1. INTERCHANGE ANY TWO LINE LEADS TO REVERSE ROTATION.
2. OPTIONAL THERMOSTATS ARE PROVIDED WHEN SPECIFIED.
3. ACTUAL NUMBER OF INTERNAL PARALLEL CIRCUITS MAY BE A MULTIPLE OF THOSE SHOWN ABOVE.
4. LEAD COLORS ARE OPTIONAL. LEADS MUST ALWAYS BE NUMBERED AS SHOWN.

REV. DESC: REVISE TO SHOW OPTIONAL COLORS			
REV. LTR: E	BY: JLP	REVISED: 01/19/99 10:15	TDR: 0171435
900000		FILE: AAA00005140	MDL: -
		MTL: -	

BALDOR ELECTRIC Co.

3PH, DV, 9 LEADS

CD0005