

BALDOR® • ***RELIANCE***

Product Information Packet

EBM3248T

5HP,1750RPM,3PH,60HZ,184T,3640M,OPEN,F1

Copyright © All product information within this document is subject to Baldor Electric Company copyright © protection, unless otherwise noted.

Part Detail									
Revision:	-	Status:	PRD/A	Change #:		Proprietary:	No		
Type:	AC	Prod. Type:	3640M	Elec. Spec:	36WGY404	CD Diagram:			
Enclosure:	OPEN	Mfg Plant:		Mech. Spec:	36B021	Layout:			
Frame:	184T	Mounting:	F1	Poles:	04	Created Date:	04-12-2010		
Base:	RG	Rotation:	R	Insulation:	F	Eff. Date:	04-16-2010		
Leads:	9#16	Literature:		Elec. Diagram:		Replaced By:			
Nameplate NP1259L									
CAT.NO.	EBM3248T								
SPEC.	36B021Y404G2								
HP	5								
VOLTS	208-230/460								
AMP	13.6-12.8/6.4								
RPM	1750								
FRAME	184T	HZ			60	PH	3		
SER.F.	1.15	CODE			J	DES	B	CL	F
NEMA-NOM-EFF	89.5	PF			81				
RATING	40C AMB-CONT								
CC	010A	USABLE AT 208V			13.6				
DE	6206	ODE			6205				
ENCL	OPEN	SN							

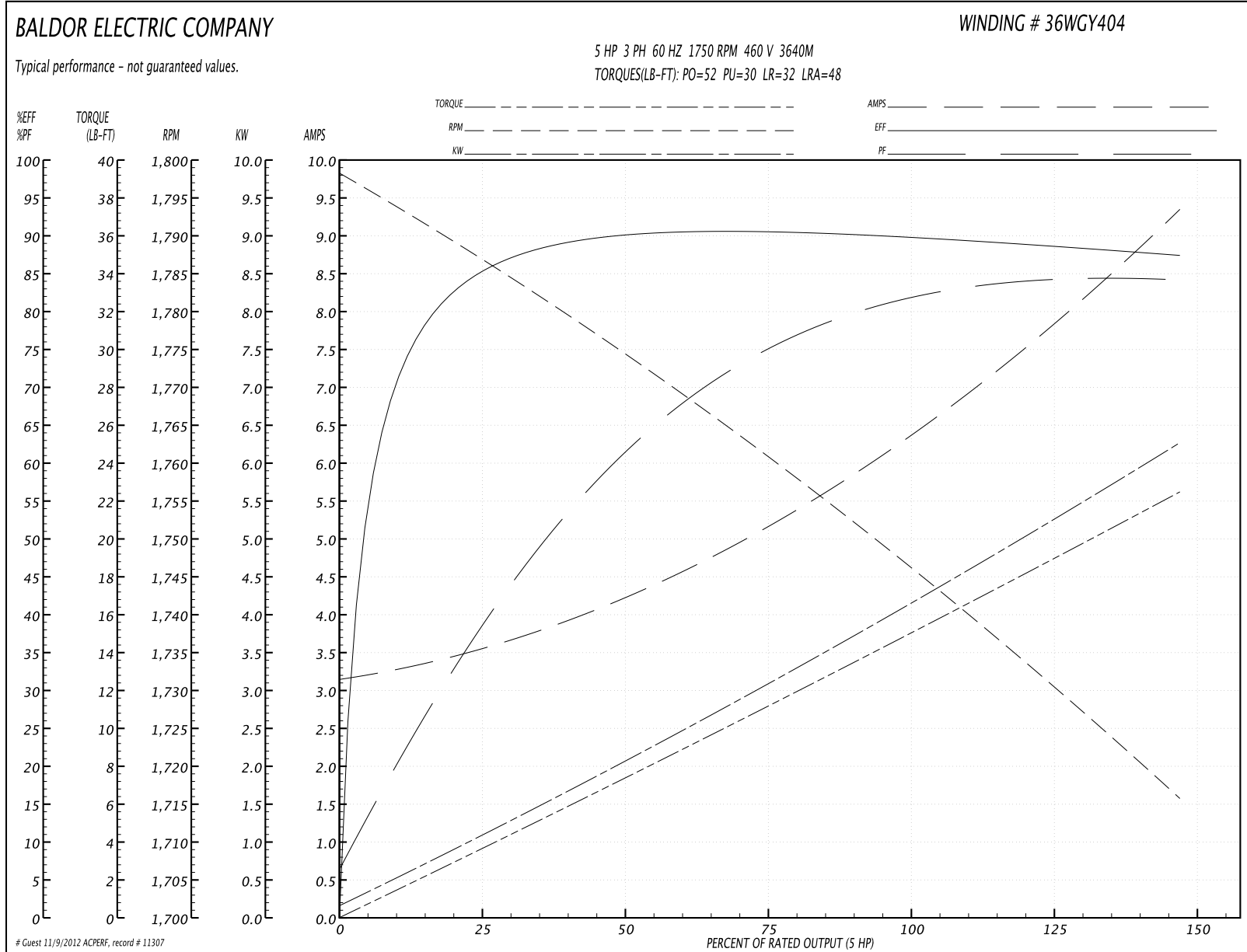
Parts List		
Part Number	Description	Quantity
SA193577	SA 36B021Y404G2	1.000 EA
RA181183	RA 36B021Y404G2	1.000 EA
S/P107-000-001	SUPER E PROC'S-FS & WS PLTS-POLYREX EM G	1.000 EA
36CB3004	36 CB CASTING W/1.09 DIA LEAD HOLE @ 6:0	1.000 EA
51XB1016A08	10-16X 1/2HXWSSLD SERTYB	2.000 EA
11XW1032G06	10-32 X .38, TAPTITE II, HEX WSHR SLTD U	1.000 EA
HW3001B01	003SS CUP WASHER, FOR #8 SCREW	1.000 EA
36EP1403A18	FR EP, FACE OPEN W/BRAKE W/O TIGHTSLEEVE	1.000 EA
HW4500A01	1641B(ALEMITE)400 UNIV, GREASE FITT	1.000 EA
HW5100A05	WVY WSHR F/205 & 304 BRGS	1.000 EA
36EP3201A01	PU ENDPLATE, MACH 182-4T	1.000 EA
HW4500A01	1641B(ALEMITE)400 UNIV, GREASE FITT	1.000 EA
HW2501D08	KEY, 3/16 SQ X .875 AUTO	1.000 EA
36CB4516	36 LIPPED CB LID	1.000 EA
51XW0832A07	8-32 X .44, TAPTITE II, HEX WSHR SLTD SE	4.000 EA
HW2501E16	3KEY, 1/4 SQ X 1.750	1.000 EA
HA7000A02	KEY RETAINER RING, 1 1/8 DIA, 1 3/8 DIA	1.000 EA
85XU0407S04	4X1/4 U DRIVE PIN STAINLESS	2.000 EA
HW3200A01	3/8-16X3/4 I-BLT WELDED F/S	1.000 EA
MJ1000A75	GREASE, POLYREX EM EXXON	0.050 LB
MG1000Y03	WILKO 689.710 GOLD PAINT SUPER E	0.022 GA
HA3101A28	THRUBOLT 1/4-20 X 12.500 OHIO ROD	4.000 EA
84XN3816J28	HEX SOC HD, 3/8-16 X 1.75 LONG	2.000 EA
76BK4100DQF	1-056-041-00-DQF BRAKE TDR# 79345	1.000 EA

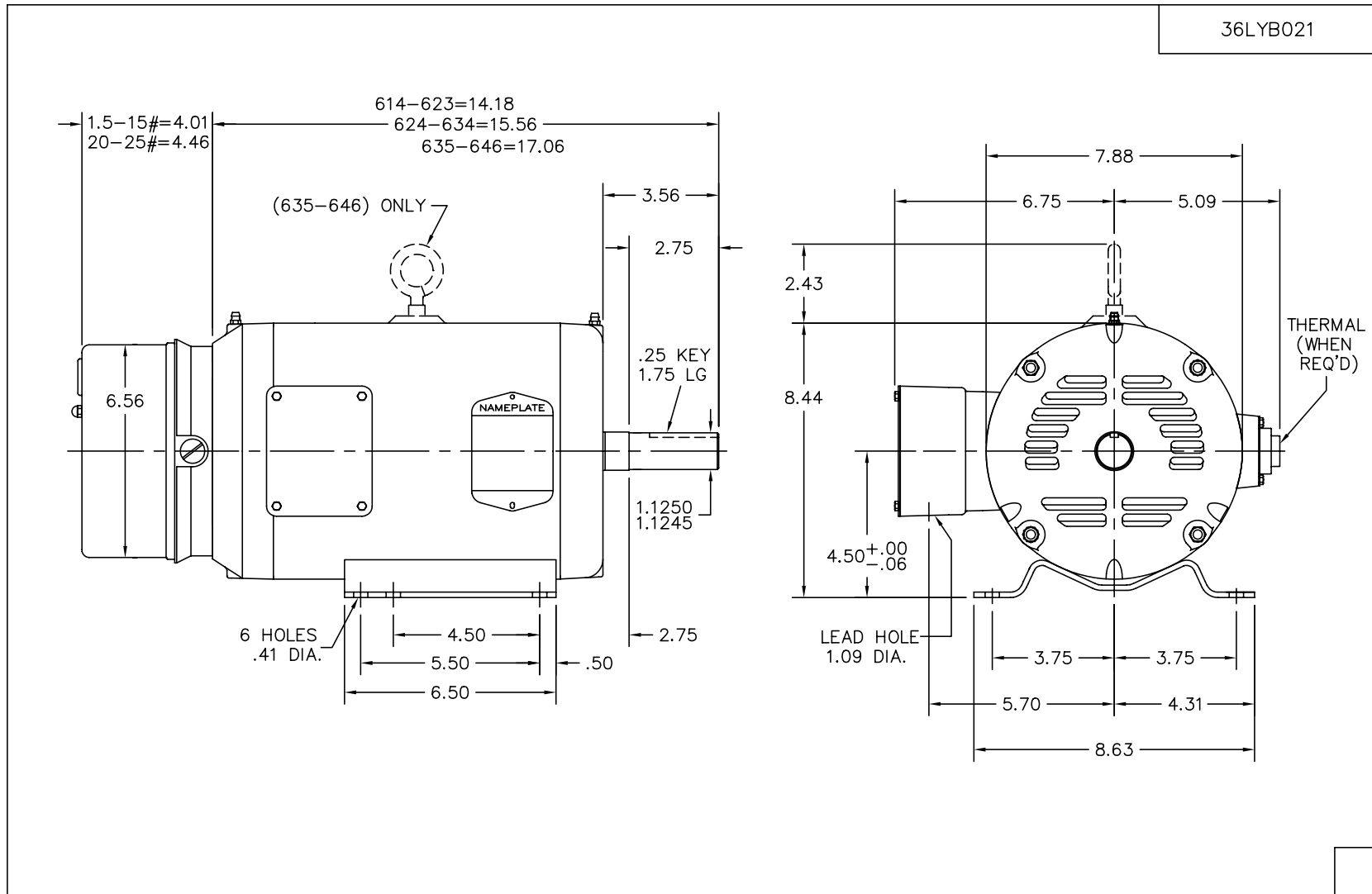
Parts List (continued)		
Part Number	Description	Quantity
LB1115	LABEL,LIFTING DEVICE	1.000 EA
LB1125C02	SUPER-E (STOCK CTN LABEL SUPER-E WITH FL	1.000 EA
LC0005E01	CONN.DIA./WARNING LABEL (LC0005/LB1119)	1.000 EA
LB1357	ENERGY GUIDE LABEL (BOX LABEL)	1.000 SH
NP1259L	ALUM SUPER-E UL CSA-EEV CC NEMA PREMIUM	1.000 EA
G0PA1000	PACKAGING GROUP	1.000 EA

Performance Data at 460V, 60Hz, 5.0HP (Typical performance - Not guaranteed values)

General Characteristics							
Full Load Torque:	15.0 LB-FT			Start Configuration:	DOL		
No-Load Current:	3.2 Amps			Break-Down Torque:	52.0 LB-FT		
Line-line Res. @ 25°C.:	2.5 Ohms A Ph / 0.0 Ohms B Ph			Pull-Up Torque:	30.0 LB-FT		
Temp. Rise @ Rated Load:	38 C			Locked-Rotor Torque:	32.0 LB-FT		
Temp. Rise @ S.F. Load:	46 C			Starting Current:	48.0 Amps		
Load Characteristics							
% of Rated Load	25	50	75	100	125	150	S.F.
Power Factor:	38.0	61.0	73.0	81.0	84.0	86.0	83.0
Efficiency:	85.0	89.8	90.5	90.0	88.8	87.3	89.3
Speed:	1786.0	1773.0	1761.0	1747.0	1732.0	1715.0	1738.0
Line Amperes:	3.5	4.2	5.2	6.4	7.8	9.3	7.2

Performance Graph at 460V, 60Hz, 5.0HP Typical performance - Not guaranteed values





CUST. NAME		CUST. P.O.		CERTIFIED BY		MODEL		INSUL		AMB	
H.P.		MTG		TYPE		R.P.M.		VOLTS		ENCL	
REV. LTR: G		BY: JD		REVISED: 05/19/99 3:57		TDR: 0181963		PHASE		FREQ	
36LYB021		FILE: AAA00003566		MDL: -		MTL: -		FRAME		BALDOR ELECTRIC Co.	
								STANDARD HORZ NEMA 182-4T OPEN 36M W/BRAKE			

36LYB021

CD0005



LOW VOLTAGE
(2Y)



LINE

HIGH VOLTAGE
(1Y)



LINE

NOTES:

1. INTERCHANGE ANY TWO LINE LEADS TO REVERSE ROTATION.
2. OPTIONAL THERMOSTATS ARE PROVIDED WHEN SPECIFIED.
3. ACTUAL NUMBER OF INTERNAL PARALLEL CIRCUITS MAY BE A MULTIPLE OF THOSE SHOWN ABOVE.
4. LEAD COLORS ARE OPTIONAL. LEADS MUST ALWAYS BE NUMBERED AS SHOWN.

REV. DESC: REVISE TO SHOW OPTIONAL COLORS			
REV. LTR: E	BY: JLP	REVISED: 01/19/99 10:15	TDR: 0171435
9000D		FILE: AAA00005140	MDL: -
		MTL: -	

BALDOR ELECTRIC Co.

3PH, DV, 9 LEADS

CD0005