

BALDOR® • **RELIANCE**

Product Information Packet

EBM3313T

10HP,1770RPM,3PH,60HZ,215T,3739M,OPEN,F1

Copyright © All product information within this document is subject to Baldor Electric Company copyright © protection, unless otherwise noted.

| Part Detail | | | | | | | | | |
|-------------------|--------------|----------------|-------|----------------|----------|---------------|------------|----|---|
| Revision: | A | Status: | PRD/A | Change #: | | Proprietary: | No | | |
| Type: | AC | Prod. Type: | 3739M | Elec. Spec: | 37WGT853 | CD Diagram: | | | |
| Enclosure: | OPEN | Mfg Plant: | | Mech. Spec: | 37B021 | Layout: | | | |
| Frame: | 215T | Mounting: | F1 | Poles: | 04 | Created Date: | 04-09-2010 | | |
| Base: | RG | Rotation: | R | Insulation: | F | Eff. Date: | 06-12-2010 | | |
| Leads: | 9#14 | Literature: | | Elec. Diagram: | | Replaced By: | | | |
| Nameplate NP1259L | | | | | | | | | |
| CAT.NO. | EBM3313T | | | | | | | | |
| SPEC. | 37B021T853G1 | | | | | | | | |
| HP | 10 | | | | | | | | |
| VOLTS | 208-230/460 | | | | | | | | |
| AMP | 26-25/12.5 | | | | | | | | |
| RPM | 1770 | | | | | | | | |
| FRAME | 215T | HZ | 60 | | | PH | 3 | | |
| SER.F. | 1.15 | CODE | H | | | DES | B | CL | F |
| NEMA-NOM-EFF | 91.7 | PF | 82 | | | | | | |
| RATING | 40C AMB-CONT | | | | | | | | |
| CC | 010A | USABLE AT 208V | 26 | | | | | | |
| DE | 6307 | ODE | 6306 | | | | | | |
| ENCL | OPEN | SN | | | | | | | |
| | | | | | | | | | |

| Parts List | | |
|----------------|--|----------|
| Part Number | Description | Quantity |
| SA193360 | SA 37B021T853G1 | 1.000 EA |
| RA180973 | RA 37B021T853G1 | 1.000 EA |
| S/P107-000-001 | SUPER E PROC'S-FS & WS PLTS-POLYREX EM G | 1.000 EA |
| HW3200A01 | 3/8-16X3/4 I-BLT WELDED F/S | 1.000 EA |
| 37CB3006 | 37 CB CASTING W/1.38 LEAD HOLE @ 6:00 | 1.000 EA |
| 51XW2520A12 | .25-20 X .75, TAPTITE II, HEX WSHR SLTD | 2.000 EA |
| 11XW1032G06 | 10-32 X .38, TAPTITE II, HEX WSHR SLTD U | 1.000 EA |
| 37EP1401A01 | FR ENDPLATE, MACH | 1.000 EA |
| HW4500A01 | 1641B(ALEMITE)400 UNIV, GREASE FITT | 1.000 EA |
| HW5100A07 | W2816-030 WVY WASHER (WB) | 1.000 EA |
| 37EP3201A01 | PU ENDPLATE, MACH 213-5T | 1.000 EA |
| HW4500A01 | 1641B(ALEMITE)400 UNIV, GREASE FITT | 1.000 EA |
| XY3118A12 | 5/16-18 HEX NUT DIRECTIONAL SERRATION | 4.000 EA |
| HW2501E16 | 3KEY, 1/4 SQ X 1.750 | 1.000 EA |
| 84XN5013L12 | .50-13 X .75 NYLOK TYPE HEX.SOC.HD.CAP S | 4.000 EA |
| 37CB4516 | LIPPED LID FOR 37 FRAME NEC KOBX | 1.000 EA |
| 51XW0832A07 | 8-32 X .44, TAPTITE II, HEX WSHR SLTD SE | 4.000 EA |
| HW2501F21 | KEY, 5/16 SQ X 2.375 | 1.000 EA |
| HA7000A02 | KEY RETAINER RING, 1 1/8 DIA, 1 3/8 DIA | 1.000 EA |
| 85XU0407S04 | 4X1/4 U DRIVE PIN STAINLESS | 2.000 EA |
| LB1115 | LABEL,LIFTING DEVICE | 1.000 EA |
| MJ1000A75 | GREASE, POLYREX EM EXXON | 0.050 LB |
| MG1000Y03 | WILKO 689.710 GOLD PAINT SUPER E | 0.028 GA |
| HA3104A17 | 5/16-18X13.250 T-BLT/OHIO | 4.000 EA |

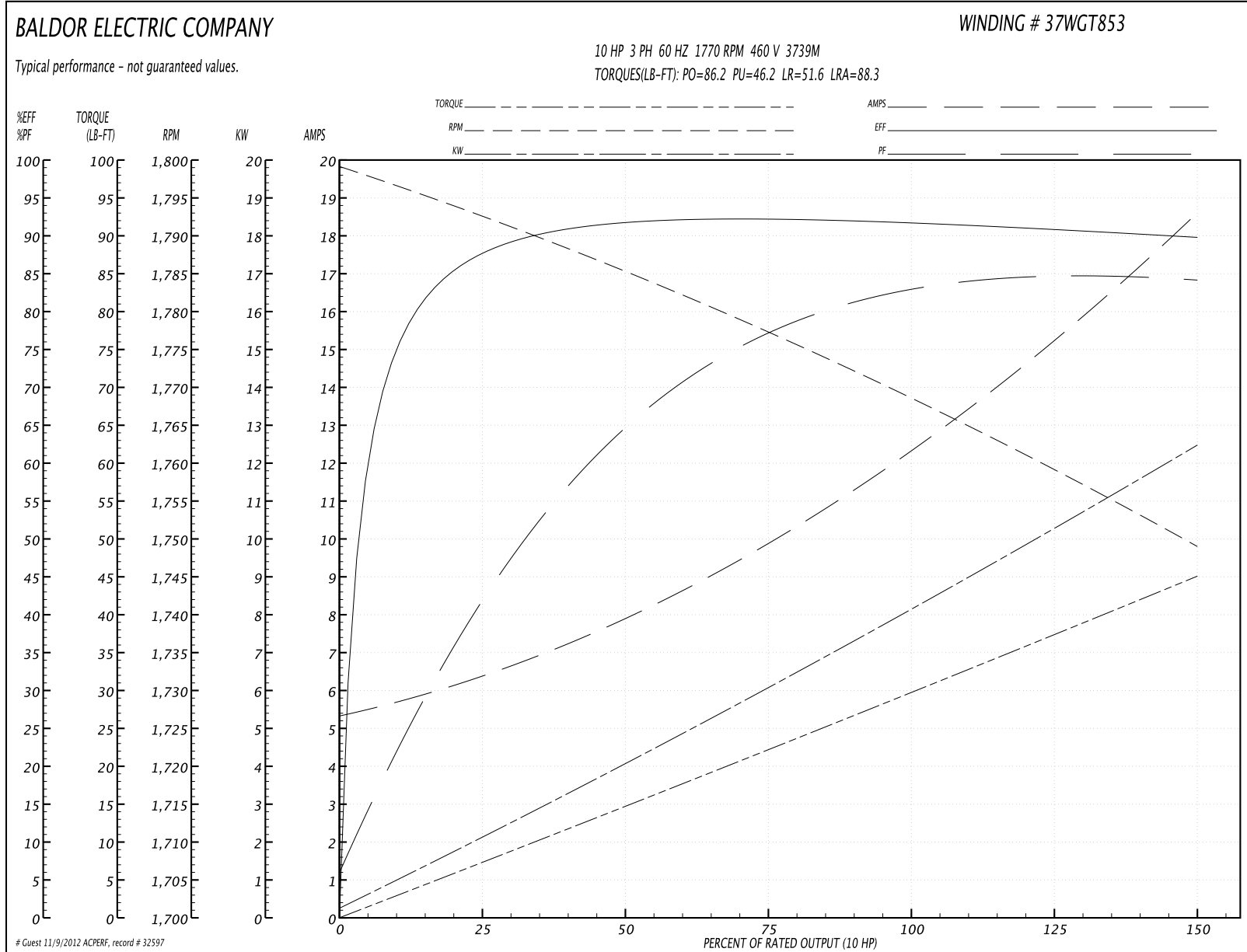
| Parts List (continued) | | |
|------------------------|--|----------|
| Part Number | Description | Quantity |
| 87BK5100EQF | 87BK51000QF W/BR2703E01 | 1.000 EA |
| LB1125C02 | SUPER-E (STOCK CTN LABEL SUPER-E WITH FL | 1.000 EA |
| LB1357 | ENERGY GUIDE LABEL (BOX LABEL) | 1.000 SH |
| LC0005E01 | CONN.DIA./WARNING LABEL (LC0005/LB1119) | 1.000 EA |
| NP1259L | ALUM SUPER-E UL CSA-EEV CC NEMA PREMIUM | 1.000 EA |
| 37PA1039 | PACKAGING GROUP | 1.000 EA |

Performance Data at 460V, 60Hz, 10.0HP (Typical performance - Not guaranteed values)

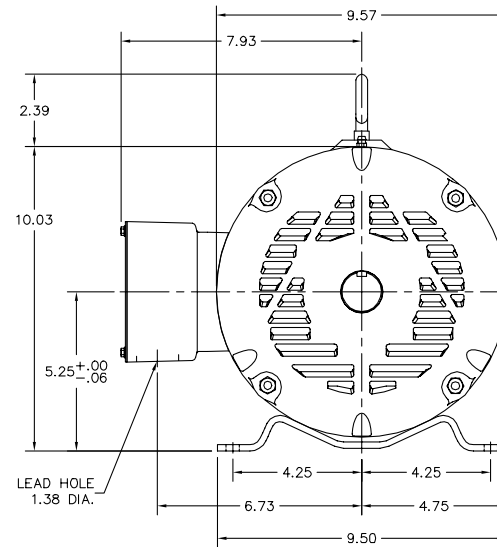
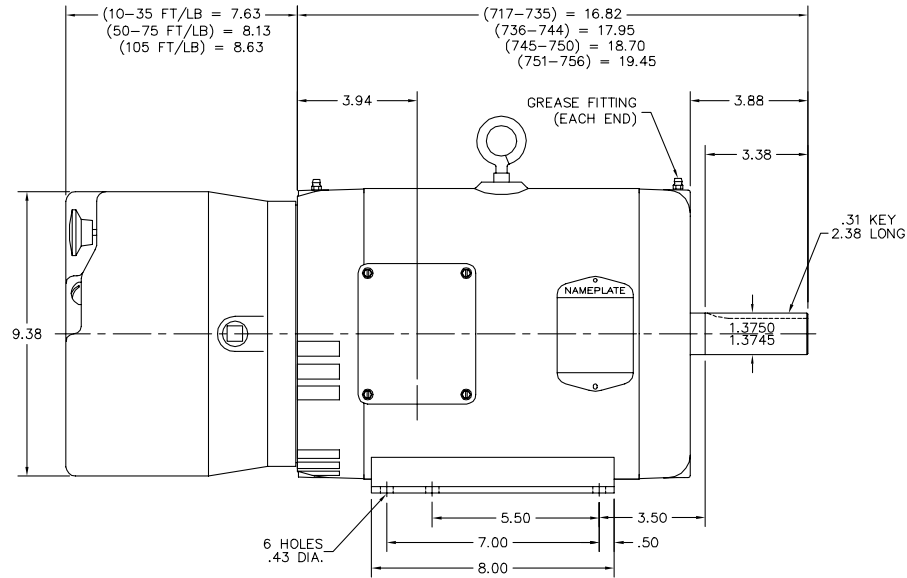
| General Characteristics | | | |
|--------------------------|--------------------------------|----------------------|------------|
| Full Load Torque: | 29.7 LB-FT | Start Configuration: | DOL |
| No-Load Current: | 5.51 Amps | Break-Down Torque: | 86.2 LB-FT |
| Line-line Res. @ 25°C.: | 1.18 Ohms A Ph / 0.0 Ohms B Ph | Pull-Up Torque: | 46.2 LB-FT |
| Temp. Rise @ Rated Load: | 34 C | Locked-Rotor Torque: | 51.6 LB-FT |
| Temp. Rise @ S.F. Load: | 42 C | Starting Current: | 88.3 Amps |

| Load Characteristics | | | | | | | |
|----------------------|--------|--------|--------|--------|--------|--------|--------|
| % of Rated Load | 25 | 50 | 75 | 100 | 125 | 150 | S.F. |
| Power Factor: | 44.0 | 66.0 | 77.0 | 82.0 | 84.0 | 85.0 | 83.0 |
| Efficiency: | 87.6 | 91.6 | 92.3 | 91.9 | 91.0 | 89.8 | 91.4 |
| Speed: | 1793.0 | 1785.0 | 1777.0 | 1769.0 | 1759.0 | 1749.0 | 1763.0 |
| Line Amperes: | 6.15 | 7.79 | 9.93 | 12.5 | 15.3 | 18.5 | 14.2 |

Performance Graph at 460V, 60Hz, 10.0HP Typical performance - Not guaranteed values



37LYB021



CUSTOMER IS RESPONSIBLE FOR DETERMINING THAT MOTOR PERFORMANCE IS SUITABLE IN THE APPLICATION.

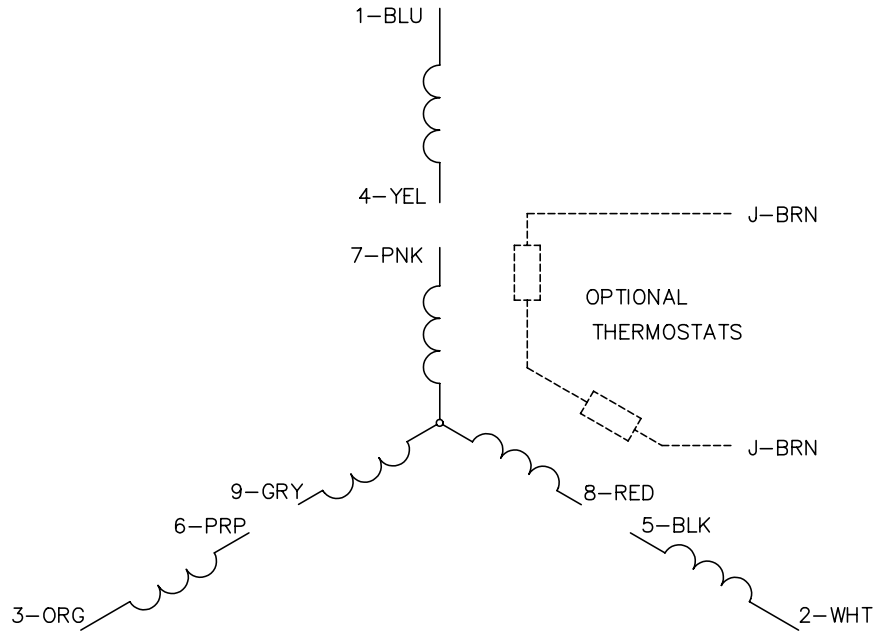
| | | |
|---------------------------|------------------------------|-------------------|
| REV. DESC: UPDATED STACKS | | |
| REV. LTR: F | VERSION: 01 | TDR: 000000403160 |
| FILE: \AAA\00005\317 | REVISED: 13:00:49 07/24/2006 | BY: ENBRAMO |
| MTL: - | | |

BALDOR ELECTRIC Co.

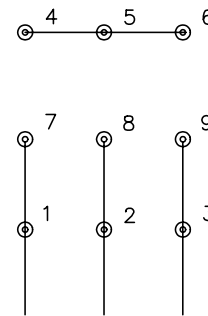
STD HORZ 213-5T OPEN 37M W/ 87BK BRAKE

37LYB021

CD0005

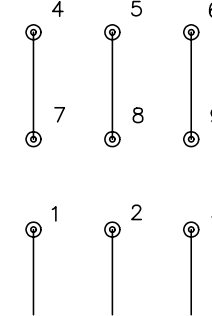


LOW VOLTAGE
(2Y)



LINE

HIGH VOLTAGE
(1Y)



LINE

NOTES:

1. INTERCHANGE ANY TWO LINE LEADS TO REVERSE ROTATION.
2. OPTIONAL THERMOSTATS ARE PROVIDED WHEN SPECIFIED.
3. ACTUAL NUMBER OF INTERNAL PARALLEL CIRCUITS MAY BE A MULTIPLE OF THOSE SHOWN ABOVE.
4. LEAD COLORS ARE OPTIONAL. LEADS MUST ALWAYS BE NUMBERED AS SHOWN.

| | | | |
|---|---------|-------------------------|--------------|
| REV. DESC: REVISE TO SHOW OPTIONAL COLORS | | | |
| REV. LTR: E | BY: JLP | REVISED: 01/19/99 10:15 | TDR: 0171435 |
| 90000 | | FILE: AAA00005140 | MDL: - |
| | | MTL: - | |

BALDOR ELECTRIC Co.

3PH, DV, 9 LEADS

CD0005