

BALDOR® • **RELIANCE**

Product Information Packet

EBM4104T

30HP,1780RPM,3PH,60HZ,284T,1052M,TEFC,F1

Copyright © All product information within this document is subject to Baldor Electric Company copyright © protection, unless otherwise noted.

| Part Detail | | | | | | | |
|-------------|------|-------------|-------|----------------|----------|---------------|------------|
| Revision: | A | Status: | PRD/A | Change #: | | Proprietary: | No |
| Type: | AC | Prod. Type: | 1052M | Elec. Spec: | 10WGY712 | CD Diagram: | |
| Enclosure: | TEFC | Mfg Plant: | | Mech. Spec: | 10F791 | Layout: | |
| Frame: | 284T | Mounting: | F1 | Poles: | 04 | Created Date: | 04-22-2010 |
| Base: | RG | Rotation: | R | Insulation: | F | Eff. Date: | 07-27-2011 |
| Leads: | 9#10 | Literature: | | Elec. Diagram: | | Replaced By: | |

| Nameplate NP2138L | | | | | | | |
|-------------------|--------------|----------------|------------|-------------------------|------|--------|------|
| CAT.NO. | EBM4104T | P/N | | ENCLOSURE | TEFC | | |
| SPEC. | 10F791Y712G1 | CC | 010A | FRAME | 284T | S/N | |
| HP | 30 | CLASS | F | HZ | 60 | | |
| RPM | 1780 | PH | 3 | DES | B | | |
| VOLT | 230/460 | KVA-CODE | G | ODE BRG | 6309 | DE BRG | 6311 |
| AMP | 74/37 | USABLE AT 208V | 78 | | | | |
| RATING | 40C AMB-CONT | GREASE | POLYREX EM | | | | |
| NEMA-NOM-EFF | 93.6 | PF | 82 | SER.F. | 1.15 | | |
| | | | | | | | |
| HTR-VOLTS | | HTR-AMPS | | MAX. SPACE HEATER TEMP. | | | |

| Parts List | | |
|----------------|------------------------------------------|----------|
| Part Number | Description | Quantity |
| SA193938 | SA 10F791Y712G1 | 1.000 EA |
| RA181532 | RA 10F791Y712G1 | 1.000 EA |
| S/P107-000-004 | SUPER-E(284 FR. & UP)-CL PLANT,POLYREX E | 1.000 EA |
| 10CB3000SP | STD KO BOX MODEL 310,312,314 MTRS W/2.00 | 1.000 EA |
| 12GS1000SP | GASKET | 1.000 EA |
| 10XN3118K12 | 5/16-18 X .75 GRADE 5, ZINC PLATED | 4.000 EA |
| HW1001A31 | LOCKWASHER 5/16, ZINC PLT.591 OD, .319 I | 4.000 EA |
| WD1000B16 | KPA-4C BURNDY TERMINAL | 1.000 EA |
| 51XF2520A08 | SCREW, HEX SER SLT HD, ZN 1/4-20 X .50 L | 1.000 EA |
| 10EP1902A01 | ENDPLATE/FAN COVER MACH | 1.000 EA |
| HA4051A00 | PLASTIC CAP FOR GREASE FITTING | 1.000 EA |
| 84XN3816A106 | 3/8 - 16 X 6.62 LONG SOC.HD.CAP SC. | 4.000 EA |
| HW1001A38 | LOCKWASHER 3/8, ZINC PLT .688 OD, .382 I | 4.000 EA |
| HW5100A11 | W3917-042 WVY WSHR (WB) | 1.000 EA |
| HA7149A01 | C-FACE ADPT MACH FOR 10EP1902 ENDPLATES | 1.000 EA |
| 10XN5013K28 | 1/2-13 X 1.75 HEX HEAD MACH SCREW,GRAD | 4.000 EA |
| HW1001A50 | LOCKWASHER 1/2, ZINC PLT,.879 OD, .509 I | 4.000 EA |
| 15194-75 | PIPE PLUG 3/4-14 TAPERED THREAD, ZINC PL | 1.000 EA |
| 10XN2520K32 | 1/4-20 X 2.00 HX HD SCRW GRADE 5, ZINC P | 2.000 EA |
| HW1001A25 | LOCKWASHER 1/4, ZINC PLT .493 OD, .255 I | 2.000 EA |
| 10XN3118K40 | 5/16-18 X 2.50" HEX HD, GRADE 5 | 4.000 EA |
| HW1001A31 | LOCKWASHER 5/16, ZINC PLT.591 OD, .319 I | 4.000 EA |
| 10EP1105A01 | PU ENDPLATE, MACH 284-6T | 1.000 EA |
| HA4051A00 | PLASTIC CAP FOR GREASE FITTING | 1.000 EA |

| Parts List (continued) | | |
|------------------------|------------------------------------------|----------|
| Part Number | Description | Quantity |
| 10XN3816K28 | 3/8-16 X 1.75 HEX HD CAP SCREW, GRADE 5 | 4.000 EA |
| HW1001A38 | LOCKWASHER 3/8, ZINC PLT .688 OD, .382 I | 4.000 EA |
| 84XN5013L16 | 1/2-13X1 NYLOK TYP HX SOCHD CAP SCREW TD | 4.000 EA |
| HW2501G15 | KEY 3/8 X 1.625 LONG | 1.000 EA |
| 10CB3500SP | CONDUIT BOX LID, CAST | 1.000 EA |
| 10GS1000SP | GASKET, CONDUIT BOX LID | 1.000 EA |
| 51XW2520A12 | .25-20 X .75, TAPTITE II, HEX WSHR SLTD | 4.000 EA |
| HA1005A04SP | SLINGER, OD 3.620, ID 1.98, | 1.000 EA |
| HW2501H28 | KEY, 1/2 SQ X 3.250 | 1.000 EA |
| LB1115 | LABEL,LIFTING DEVICE | 1.000 EA |
| HW4500A21 | 1618BALEMITE FITTING 825 UNIVERSAL | 1.000 EA |
| HA4017A01 | 1/8 X 4 GREASE EXT (F/S) | 1.000 EA |
| HW4500A17 | 317400 ALEMITE GREASE RELIEF | 1.000 EA |
| HA4001A01SP | DRAIN PLUG, PLASTIC (MICRO PLAS) | 1.000 EA |
| MJ1000A75 | GREASE, POLYREX EM EXXON | 0.130 LB |
| HW4500A03 | GREASE FITTING, .125 NPT 1610(ALEMITE) 8 | 1.000 EA |
| HW4500A17 | 317400 ALEMITE GREASE RELIEF | 1.000 EA |
| HA4001A01SP | DRAIN PLUG, PLASTIC (MICRO PLAS) | 1.000 EA |
| 09FN3001C02 | EXTERNAL FAN, PLASTIC | 1.000 EA |
| HW2500A25 | WOODRUFF KEY USA #1008 #BLOW CARBON STEE | 1.000 EA |
| 51XB1214A20 | 12-14X1.25 HXWSSLD SERTYB | 1.000 EA |
| MG1000Y03 | WILKO 689.710 GOLD PAINT SUPER E | 0.070 GA |
| 85XU0407A04 | #4-7 X 1/4 DRIVE PIN | 4.000 EA |
| LB5040 | INSTRUCTION TAG, AC & DC | 1.000 EA |

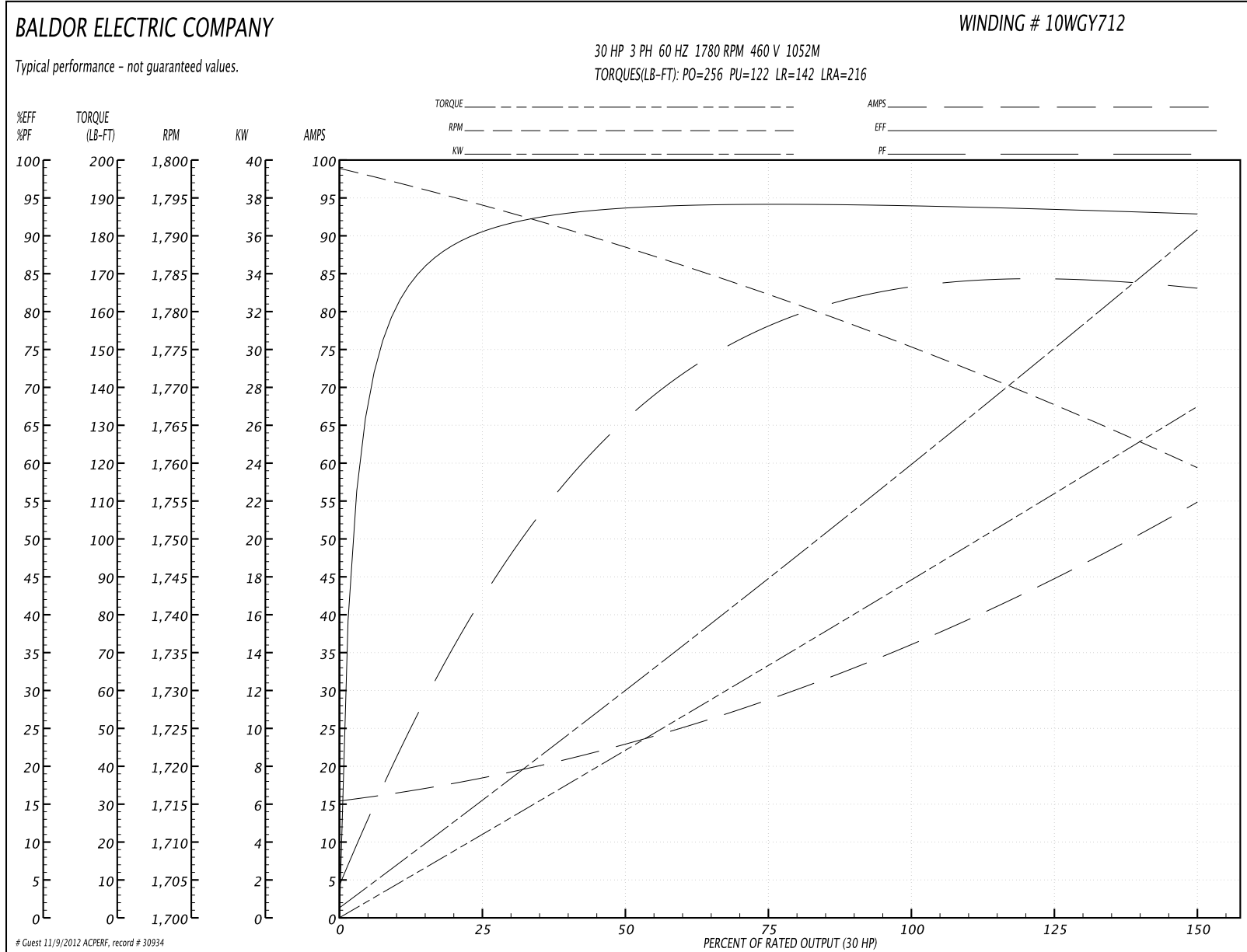
| Parts List (continued) | | |
|------------------------|------------------------------------------|----------|
| Part Number | Description | Quantity |
| 81BK1111FQF | 1-081-011-02-FQF/11 BRAKE | 1.000 EA |
| LB1125C02 | SUPER-E (STOCK CTN LABEL SUPER-E WITH FL | 2.000 EA |
| LB1357 | ENERGY GUIDE LABEL (BOX LABEL) | 2.000 SH |
| LC0005E02 | SPL CONN.DIA./WARN.LABEL(LC0005/LB1119) | 1.000 EA |
| NP2138L | ALUM SUPER-E UL CSA-EEV PREM CC (300 | 1.000 EA |
| 18PA1002 | PACKAGING GROUP (318 FRM)TDR 10923 | 1.000 EA |

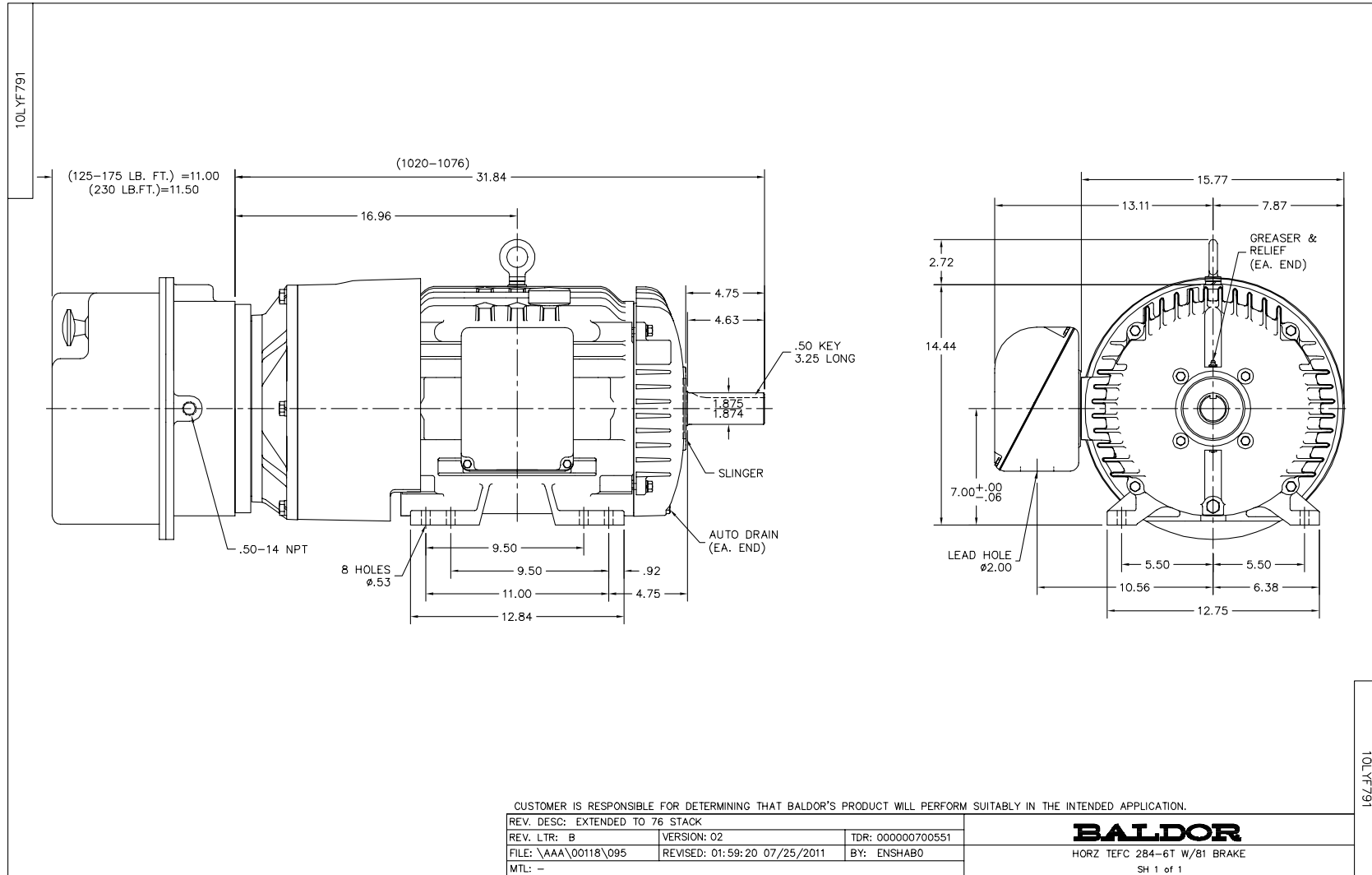
Performance Data at 460V, 60Hz, 30.0HP (Typical performance - Not guaranteed values)

| General Characteristics | | | |
|--------------------------|---------------------------------|----------------------|-------------|
| Full Load Torque: | 90.0 LB-FT | Start Configuration: | DOL |
| No-Load Current: | 15.9 Amps | Break-Down Torque: | 256.0 LB-FT |
| Line-line Res. @ 25°C.: | 0.264 Ohms A Ph / 0.0 Ohms B Ph | Pull-Up Torque: | 122.0 LB-FT |
| Temp. Rise @ Rated Load: | 59 C | Locked-Rotor Torque: | 142.0 LB-FT |
| Temp. Rise @ S.F. Load: | 73 C | Starting Current: | 216.0 Amps |

| Load Characteristics | | | | | | | |
|----------------------|--------|--------|--------|--------|--------|--------|--------|
| % of Rated Load | 25 | 50 | 75 | 100 | 125 | 150 | S.F. |
| Power Factor: | 45.0 | 67.0 | 78.0 | 82.0 | 84.0 | 84.0 | 83.0 |
| Efficiency: | 90.2 | 93.5 | 94.1 | 93.9 | 93.8 | 92.7 | 93.8 |
| Speed: | 1794.0 | 1788.0 | 1782.0 | 1775.0 | 1768.0 | 1759.0 | 1771.0 |
| Line Amperes: | 17.9 | 22.8 | 29.2 | 36.8 | 45.3 | 54.6 | 41.9 |

Performance Graph at 460V, 60Hz, 30.0HP Typical performance - Not guaranteed values

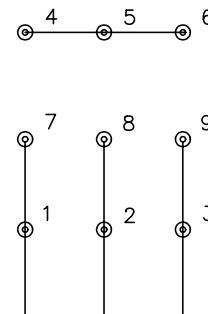




CD0005

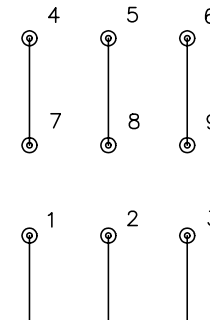


LOW VOLTAGE
(2Y)



LINE

HIGH VOLTAGE
(1Y)



LINE

NOTES:

1. INTERCHANGE ANY TWO LINE LEADS TO REVERSE ROTATION.
2. OPTIONAL THERMOSTATS ARE PROVIDED WHEN SPECIFIED.
3. ACTUAL NUMBER OF INTERNAL PARALLEL CIRCUITS MAY BE A MULTIPLE OF THOSE SHOWN ABOVE.
4. LEAD COLORS ARE OPTIONAL. LEADS MUST ALWAYS BE NUMBERED AS SHOWN.

| | | | |
|-------------------------------------------|---------|-------------------------|--------------|
| REV. DESC: REVISE TO SHOW OPTIONAL COLORS | | | |
| REV. LTR: E | BY: JLP | REVISED: 01/19/99 10:15 | TDR: 0171435 |
| 90000 | | FILE: AAA00005140 | MDL: - |
| | | MTL: - | |

BALDOR ELECTRIC Co.

3PH, DV, 9 LEADS

CD0005