

BALDOR® • *RELIANCE*

Product Information Packet

ECP2276T-4

7.5HP, 1180RPM, 3PH, 60HZ, 254T, 0954M, TEFC, F

Copyright © All product information within this document is subject to Baldor Electric Company copyright © protection, unless otherwise noted.

| Part Detail | | | | | | | |
|-------------|------|-------------|-------|----------------|----------|---------------|------------|
| Revision: | D | Status: | PRD/A | Change #: | | Proprietary: | No |
| Type: | AC | Prod. Type: | 0954M | Elec. Spec: | 09WGY237 | CD Diagram: | |
| Enclosure: | TEFC | Mfg Plant: | | Mech. Spec: | 09J371 | Layout: | |
| Frame: | 254T | Mounting: | F1 | Poles: | 06 | Created Date: | 08-29-2010 |
| Base: | RG | Rotation: | R | Insulation: | F | Eff. Date: | 03-22-2012 |
| Leads: | 3#12 | Literature: | | Elec. Diagram: | | Replaced By: | |

Nameplate NP1260E

| | | | | | | | |
|--------------|--------------|----------------|------|-----|---|----|---|
| CAT.NO. | ECP2276T-4 | | | | | | |
| SPEC. | 09J371Y237 | | | | | | |
| HP | 7.5 | | | | | | |
| VOLTS | 460 | | | | | | |
| AMP | 10.7 | | | | | | |
| RPM | 1180 | | | | | | |
| FRAME | 254T | HZ | 60 | PH | 3 | | |
| SER.F. | 1.15 | CODE | J | DES | B | CL | F |
| NEMA-NOM-EFF | 91.7 | PF | 71 | | | | |
| RATING | 40C AMB-CONT | | | | | | |
| CC | 010A | USABLE AT 208V | | | | | |
| DE | 6309 | ODE | 6309 | | | | |
| ENCL | TEFC | SN | | | | | |
| | | | | | | | |

| Parts List | | |
|----------------|--|----------|
| Part Number | Description | Quantity |
| SA202250 | SA 09J371Y237 | 1.000 EA |
| RA189531 | RA 09J371Y237 | 1.000 EA |
| 09FN3001D01SP | EXTERNAL FAN, PLASTIC | 1.000 EA |
| S/P107-000-005 | SUPER-E PROC'S(254/6 FR.) ZK PLANT - POL | 1.000 EA |
| 09CB1002A12P | KOBX W/1.25 NPT LEAD HOLE & 2.38 MTG HOL | 1.000 EA |
| 09GS1010 | GASKET, DWG, LEADWIRE SEPERATOR | 1.000 EA |
| 10XN2520K12 | 1/4-20 X.75 GRD 5 | 2.000 EA |
| HW1001A25 | LOCKWASHER 1/4, ZINC PLT .493 OD, .255 I | 2.000 EA |
| WD1000B16 | KPA-4C BURNDY TERMINAL | 1.000 EA |
| 10XN2520K08 | 1/4-20 X .50 GRADE #5, STL, ZINC PLATE | 1.000 EA |
| HW1001A25 | LOCKWASHER 1/4, ZINC PLT .493 OD, .255 I | 1.000 EA |
| HA3400A39 | STUD- 3/8-16 X 6.19 OAL HEX WELKER | 4.000 EA |
| HW1001A38 | LOCKWASHER 3/8, ZINC PLT .688 OD, .382 I | 4.000 EA |
| HW4600B44SP | V-RING SLINGER 1.500 X 2.290 X 0.280 | 1.000 EA |
| HA4017A08 | .125X3.50 GREASER EXTEN. NLA | 1.000 EA |
| HA4017A10 | 1/8X1.25 GREASE EXT (F/S) | 1.000 EA |
| HA4024A02 | 1/8 DOUBLE FEMALE SS CPLG, MCM #4464K351 | 1.000 EA |
| HW4500A20 | 1/8NPT SL PIPE PLUG | 1.000 EA |
| HW5100A11 | W3917-042 WVY WSHR (WB) | 1.000 EA |
| 10XN2520K36 | 1/4-20 X 2.25" HX HD SCRWGRADE 5, ZINC P | 4.000 EA |
| 09EP1118A38P | PUEP MACH,309 BRG,PLS GRSR,RLF,EPOXY PRI | 1.000 EA |
| 10XN3816K24 | 3/8-16 X 1.50 HEX HD CAP SCREW, GRADE 5 | 4.000 EA |
| HW1001A38 | LOCKWASHER 3/8, ZINC PLT .688 OD, .382 I | 4.000 EA |
| HW4600B44SP | V-RING SLINGER 1.500 X 2.290 X 0.280 | 1.000 EA |

| Parts List (continued) | | |
|------------------------|--|----------|
| Part Number | Description | Quantity |
| HW4500A20 | 1/8NPT SL PIPE PLUG | 1.000 EA |
| 10XN2520K36 | 1/4-20 X 2.25" HX HD SCRWGRADE 5, ZINC P | 4.000 EA |
| 09FH1000P | FAN COVER, CAST W/EPOXY PRIMER | 1.000 EA |
| HW1001A38 | LOCKWASHER 3/8, ZINC PLT .688 OD, .382 I | 4.000 EA |
| XY3816A12 | 3/8-16 FINISHED NUT | 4.000 EA |
| 12CB1503A01P | KOLD MACH, W/LIP & EPOXY PRIMER | 1.000 EA |
| 12GS1002 | GASKET, CONDUIT BOX LID, NEOP | 1.000 EA |
| 10XN3118K16 | 5/16-18 X 1" GRADE #5, STL, ZINC PLATE | 2.000 EA |
| HW1001A31 | LOCKWASHER 5/16, ZINC PLT.591 OD, .319 I | 2.000 EA |
| HW2501G25 | KEY, 3/8 SQ X 2.875 | 1.000 EA |
| MJ5001A01 | 46-665 RED SEALER | 0.031 QT |
| MJ5001A14 | DYNAPRO SEAL, CP MOTORS VC#2508050 (603 | 0.033 EA |
| MJ5002A01 | SILICON RUBBER SEALANT, 732CL 10.3 OZ TU | 0.025 EA |
| LB1115 | LABEL,LIFTING DEVICE | 1.000 EA |
| LB1002 | LABEL,MARINE DUTY (ON ROLLS) | 1.000 EA |
| LB5040 | INSTRUCTION TAG, AC & DC | 1.000 EA |
| 09EP1118A37GP6 | FREP MACH, 309 BRG. EPOXY PRIMER | 1.000 EA |
| HW4500A17 | 317400 ALEMITE GREASE RELIEF | 1.000 EA |
| HW4500A21 | 1618BALEMITE FITTING 825 UNIVERSAL | 1.000 EA |
| HA4001A01SP | DRAIN PLUG, PLASTIC (MICRO PLAS) | 1.000 EA |
| HA4051A00 | PLASTIC CAP FOR GREASE FITTING | 1.000 EA |
| MJ1000A75 | GREASE, POLYREX EM EXXON | 0.080 LB |
| HW4500A03 | GREASE FITTING, .125 NPT 1610(ALEMITE) 8 | 1.000 EA |
| HW4500A17 | 317400 ALEMITE GREASE RELIEF | 1.000 EA |

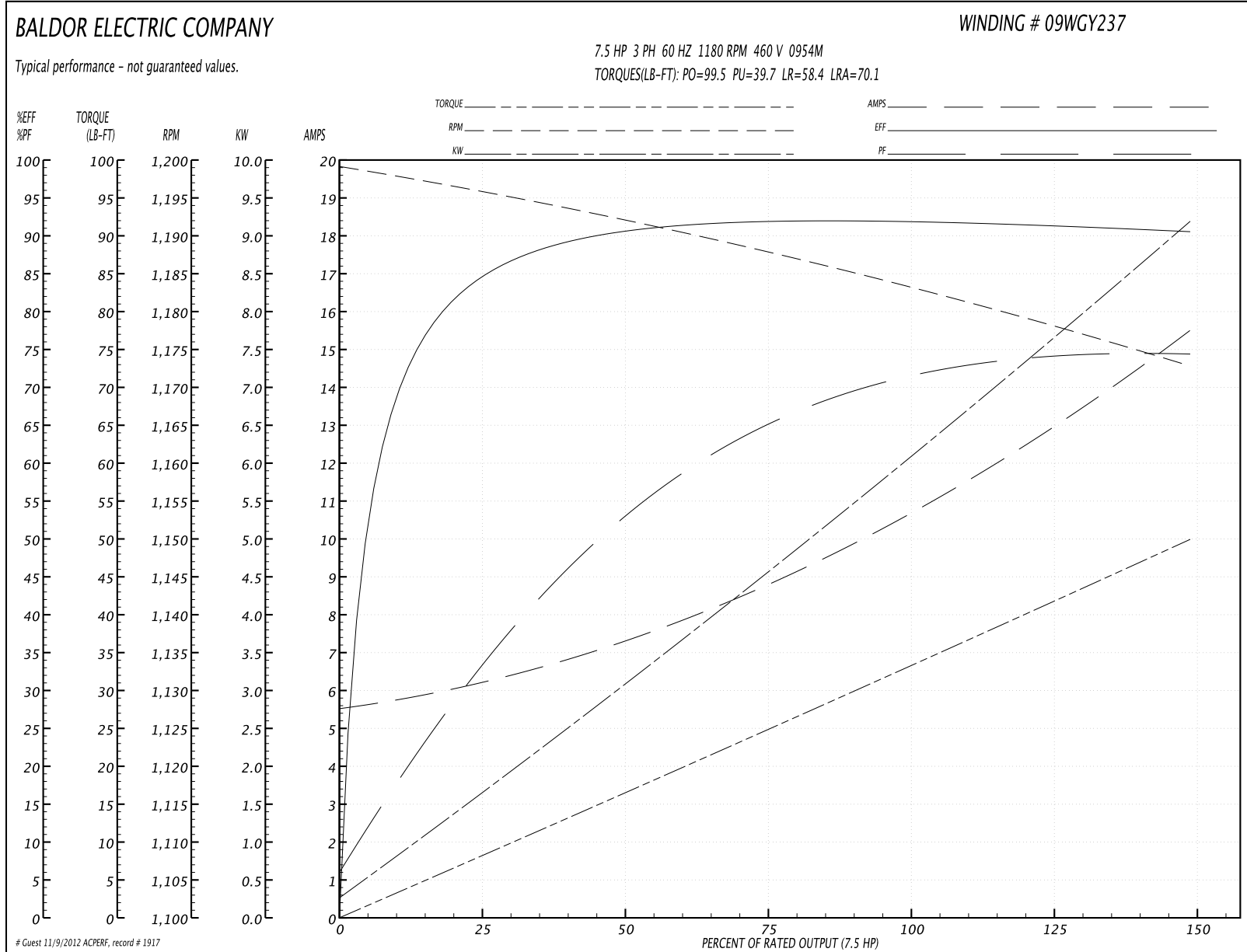
| Parts List (continued) | | |
|------------------------|--|----------|
| Part Number | Description | Quantity |
| HA4001A01SP | DRAIN PLUG, PLASTIC (MICRO PLAS) | 1.000 EA |
| HA4051A00 | PLASTIC CAP FOR GREASE FITTING | 1.000 EA |
| HW2500A25 | WOODRUFF KEY USA #1008 #BLOW CARBON STEE | 1.000 EA |
| 51XB1214A20 | 12-14X1.25 HXWSSLD SERTYB | 1.000 EA |
| MG1025N19 | PAINT, 778.50 WILKO, RELIANCE ELEC GREEN | 0.050 GA |
| 85XU0407S04 | 4X1/4 U DRIVE PIN STAINLESS | 2.000 EA |
| LB1119 | WARNING LABEL | 1.000 EA |
| LB1125C02 | SUPER-E (STOCK CTN LABEL SUPER-E WITH FL | 4.000 EA |
| LB1357 | ENERGY GUIDE LABEL (BOX LABEL) | 1.000 SH |
| LC0006 | CONNECTION LABEL | 1.000 EA |
| NP1260E | SS CP SUPER-E UL CSA CC | 1.000 EA |
| 09PA1000 | PACKAGING GROUP COMBINED PRINT | 1.000 EA |

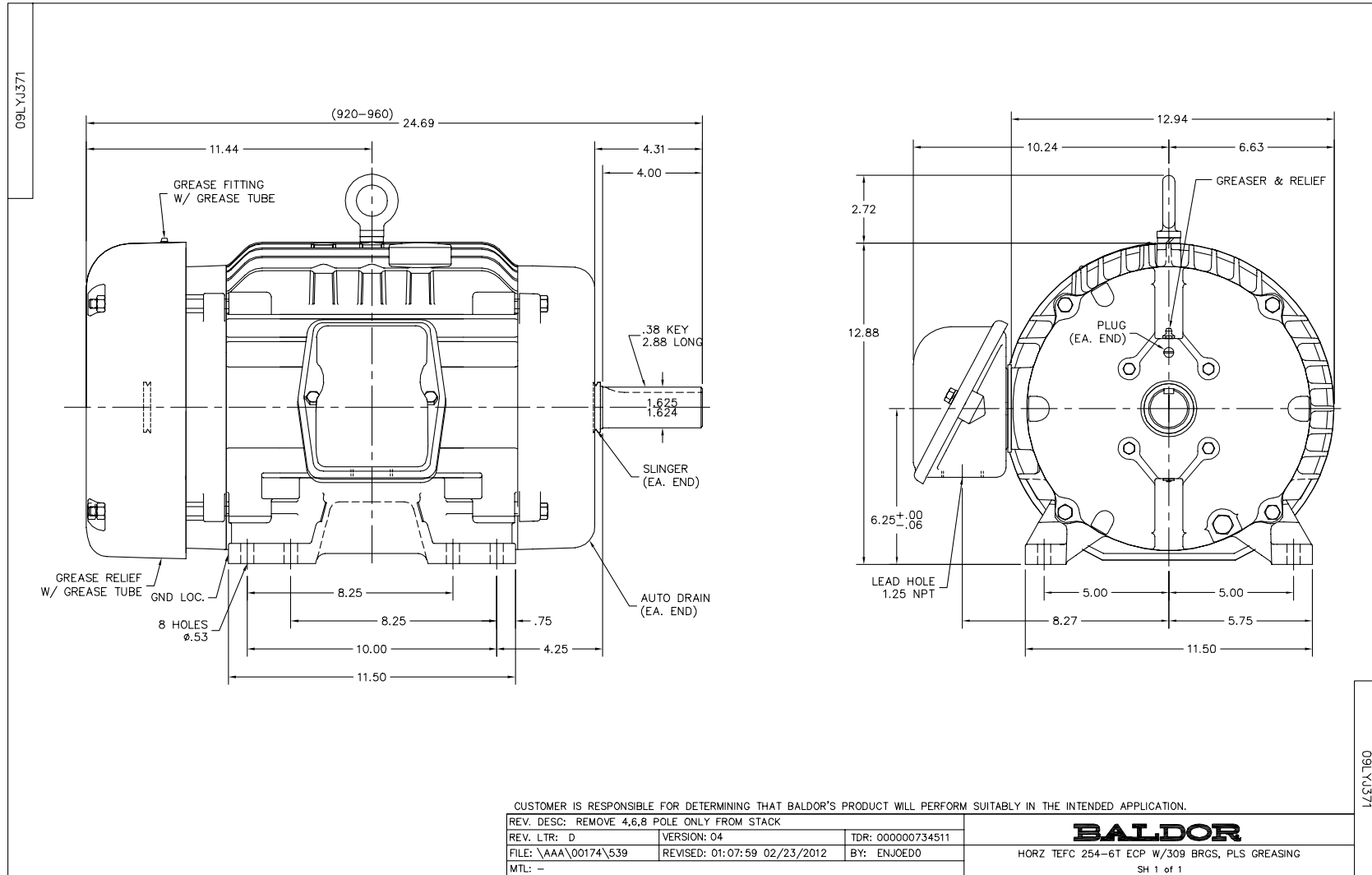
| Accessories | | |
|-------------|--|------------|
| Part Number | Description | Multiplier |
| 09-1309 | C FACE KIT (kit may require RB3001A01) | A8 |
| RB3001A01 | MACH RETAINER RING 309/211 BRG | P1 |

Performance Data at 460V, 60Hz, 7.5HP (Typical performance - Not guaranteed values)

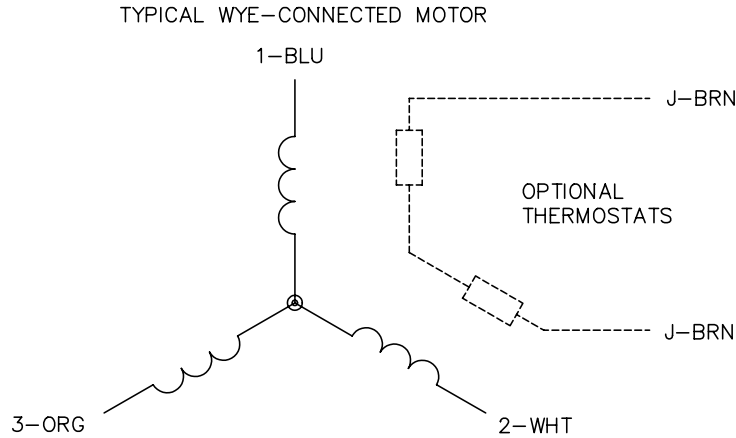
| General Characteristics | | | | | | | |
|--------------------------|---------------------------------|--------|--------|----------------------|------------|--------|--------|
| Full Load Torque: | 33.3 LB-FT | | | Start Configuration: | DOL | | |
| No-Load Current: | 5.52 Amps | | | Break-Down Torque: | 99.5 LB-FT | | |
| Line-line Res. @ 25°C.: | 0.895 Ohms A Ph / 0.0 Ohms B Ph | | | Pull-Up Torque: | 39.7 LB-FT | | |
| Temp. Rise @ Rated Load: | 32 C | | | Locked-Rotor Torque: | 58.4 LB-FT | | |
| Temp. Rise @ S.F. Load: | 42 C | | | Starting Current: | 70.1 Amps | | |
| Load Characteristics | | | | | | | |
| % of Rated Load | 25 | 50 | 75 | 100 | 125 | 150 | S.F. |
| Power Factor: | 33.0 | 53.0 | 65.0 | 71.0 | 74.0 | 75.0 | 73.0 |
| Efficiency: | 84.9 | 90.6 | 91.8 | 91.9 | 91.4 | 90.5 | 91.6 |
| Speed: | 1196.0 | 1192.0 | 1188.0 | 1183.0 | 1178.0 | 1173.0 | 1180.0 |
| Line Amperes: | 6.25 | 7.28 | 8.82 | 10.72 | 12.91 | 15.5 | 12.03 |

Performance Graph at 460V, 60Hz, 7.5HP Typical performance - Not guaranteed values





CD0006



NOTES:

1. THREE LEAD MOTOR MAY BE EITHER WYE CONNECTED OR DELTA CONNECTED.
2. INTERCHANGE ANY TWO LINE LEADS TO REVERSE ROTATION.
3. OPTIONAL THERMOSTATS ARE PROVIDED WHEN SPECIFIED.
4. ACTUAL NUMBER OF INTERNAL PARALLEL CIRCUITS MAY VARY.
5. LEAD COLORS ARE OPTIONAL. LEADS MUST BE NUMBERED AS SHOWN.

| | | | |
|---|---------|------------------------|--------------|
| REV. DESC: REVISE TO SHOW OPTIONAL COLORS | | | |
| REV. LTR: D | BY: JLP | REVISED: 01/21/99 4:02 | TDR: 0171435 |
| 9000D | | FILE: AAA00005141 | MDL: - |
| | | MTL: - | |

BALDOR ELECTRIC Co.

3PH, SV, 3 LEADS, WYE OR DELTA CONNECTED

CD0006