

BALDOR® • *RELIANCE*

Product Information Packet

ECP2334T-5

20HP,1765RPM,3PH,60HZ,256T,0952M,TEFC,F1

Copyright © All product information within this document is subject to Baldor Electric Company copyright © protection, unless otherwise noted.

Part Detail							
Revision:	D	Status:	PRD/A	Change #:		Proprietary:	No
Type:	AC	Prod. Type:	0952M	Elec. Spec:	09WGY638	CD Diagram:	
Enclosure:	TEFC	Mfg Plant:		Mech. Spec:	09J371	Layout:	
Frame:	256T	Mounting:	F1	Poles:	04	Created Date:	08-29-2010
Base:	RG	Rotation:	R	Insulation:	F	Eff. Date:	03-22-2012
Leads:	3#12	Literature:		Elec. Diagram:		Replaced By:	

Nameplate NP1260E							
CAT.NO.	ECP2334T-5						
SPEC.	09J371Y638						
HP	20						
VOLTS	575						
AMP	19.2						
RPM	1765						
FRAME	256T	HZ	60	PH	3		
SER.F.	1.15	CODE	H	DES	B	CL	F
NEMA-NOM-EFF	93	PF	84				
RATING	40C AMB-CONT						
CC	010A	USABLE AT 208V					
DE	6309	ODE	6309				
ENCL	TEFC	SN					

Parts List		
Part Number	Description	Quantity
SA202244	SA 09J371Y638	1.000 EA
RA189525	RA 09J371Y638	1.000 EA
09FN3001D01SP	EXTERNAL FAN, PLASTIC	1.000 EA
S/P107-000-005	SUPER-E PROC'S(254/6 FR.) ZK PLANT - POL	1.000 EA
09CB1002A12P	KOBX W/1.25 NPT LEAD HOLE & 2.38 MTG HOL	1.000 EA
09GS1010	GASKET, DWG, LEADWIRE SEPERATOR	1.000 EA
10XN2520K12	1/4-20 X.75 GRD 5	2.000 EA
HW1001A25	LOCKWASHER 1/4, ZINC PLT .493 OD, .255 I	2.000 EA
WD1000B16	KPA-4C BURNDY TERMINAL	1.000 EA
10XN2520K08	1/4-20 X .50 GRADE #5, STL, ZINC PLATE	1.000 EA
HW1001A25	LOCKWASHER 1/4, ZINC PLT .493 OD, .255 I	1.000 EA
HA3400A39	STUD- 3/8-16 X 6.19 OAL HEX WELKER	4.000 EA
HW1001A38	LOCKWASHER 3/8, ZINC PLT .688 OD, .382 I	4.000 EA
HW4600B44SP	V-RING SLINGER 1.500 X 2.290 X 0.280	1.000 EA
HA4017A08	.125X3.50 GREASER EXTEN. NLA	1.000 EA
HA4017A10	1/8X1.25 GREASE EXT (F/S)	1.000 EA
HA4024A02	1/8 DOUBLE FEMALE SS CPLG, MCM #4464K351	1.000 EA
HW4500A20	1/8NPT SL PIPE PLUG	1.000 EA
HW5100A11	W3917-042 WVY WSHR (WB)	1.000 EA
10XN2520K36	1/4-20 X 2.25" HX HD SCRWGRADE 5, ZINC P	4.000 EA
09EP1118A38P	PUEP MACH,309 BRG,PLS GRSR,RLF,EPOXY PRI	1.000 EA
10XN3816K24	3/8-16 X 1.50 HEX HD CAP SCREW, GRADE 5	4.000 EA
HW1001A38	LOCKWASHER 3/8, ZINC PLT .688 OD, .382 I	4.000 EA
HW4600B44SP	V-RING SLINGER 1.500 X 2.290 X 0.280	1.000 EA

Parts List (continued)		
Part Number	Description	Quantity
HW4500A20	1/8NPT SL PIPE PLUG	1.000 EA
10XN2520K36	1/4-20 X 2.25" HX HD SCRWGRADE 5, ZINC P	4.000 EA
09FH1000P	FAN COVER, CAST W/EPOXY PRIMER	1.000 EA
HW1001A38	LOCKWASHER 3/8, ZINC PLT .688 OD, .382 I	4.000 EA
XY3816A12	3/8-16 FINISHED NUT	4.000 EA
12CB1503A01P	KOLD MACH, W/LIP & EPOXY PRIMER	1.000 EA
12GS1002	GASKET, CONDUIT BOX LID, NEOP	1.000 EA
10XN3118K16	5/16-18 X 1" GRADE #5, STL, ZINC PLATE	2.000 EA
HW1001A31	LOCKWASHER 5/16, ZINC PLT.591 OD, .319 I	2.000 EA
HW2501G25	KEY, 3/8 SQ X 2.875	1.000 EA
MJ5001A01	46-665 RED SEALER	0.031 QT
MJ5001A14	DYNAPRO SEAL, CP MOTORS VC#2508050 (603	0.033 EA
MJ5002A01	SILICON RUBBER SEALANT, 732CL 10.3 OZ TU	0.025 EA
LB1115	LABEL,LIFTING DEVICE	1.000 EA
LB1002	LABEL,MARINE DUTY (ON ROLLS)	1.000 EA
LB5040	INSTRUCTION TAG, AC & DC	1.000 EA
09EP1118A37GP6	FREP MACH, 309 BRG. EPOXY PRIMER	1.000 EA
HW4500A17	317400 ALEMITE GREASE RELIEF	1.000 EA
HW4500A21	1618BALEMITE FITTING 825 UNIVERSAL	1.000 EA
HA4001A01SP	DRAIN PLUG, PLASTIC (MICRO PLAS)	1.000 EA
HA4051A00	PLASTIC CAP FOR GREASE FITTING	1.000 EA
MJ1000A75	GREASE, POLYREX EM EXXON	0.080 LB
HW4500A03	GREASE FITTING, .125 NPT 1610(ALEMITE) 8	1.000 EA
HW4500A17	317400 ALEMITE GREASE RELIEF	1.000 EA

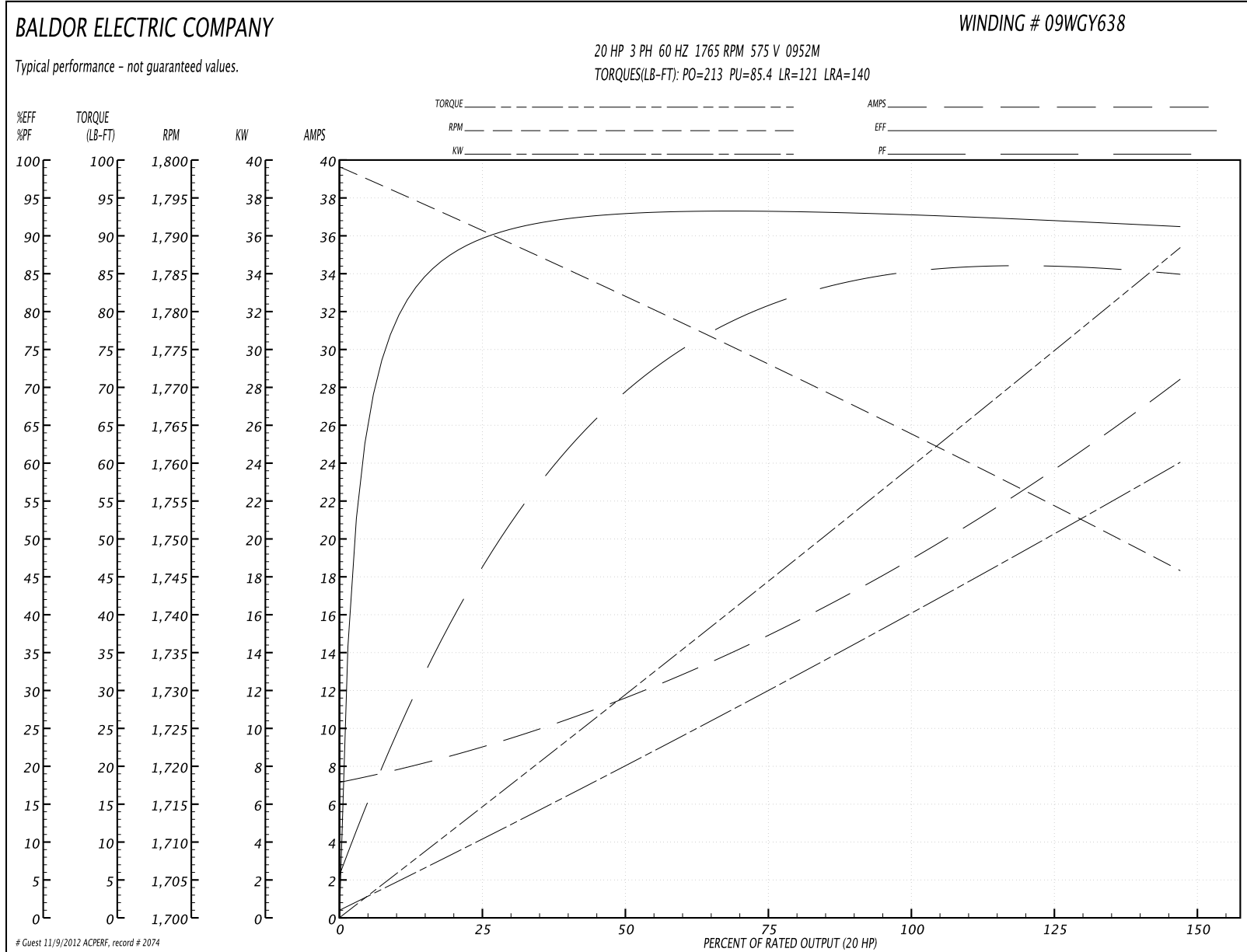
Parts List (continued)		
Part Number	Description	Quantity
HA4001A01SP	DRAIN PLUG, PLASTIC (MICRO PLAS)	1.000 EA
HA4051A00	PLASTIC CAP FOR GREASE FITTING	1.000 EA
HW2500A25	WOODRUFF KEY USA #1008 #BLOW CARBON STEE	1.000 EA
51XB1214A20	12-14X1.25 HXWSSLD SERTYB	1.000 EA
MG1025N19	PAINT, 778.50 WILKO, RELIANCE ELEC GREEN	0.050 GA
85XU0407S04	4X1/4 U DRIVE PIN STAINLESS	2.000 EA
LB1119	WARNING LABEL	1.000 EA
LB1125C02	SUPER-E (STOCK CTN LABEL SUPER-E WITH FL	4.000 EA
LB1357	ENERGY GUIDE LABEL (BOX LABEL)	1.000 SH
LC0006	CONNECTION LABEL	1.000 EA
NP1260E	SS CP SUPER-E UL CSA CC	1.000 EA
09PA1000	PACKAGING GROUP COMBINED PRINT	1.000 EA

Accessories		
Part Number	Description	Multiplier
09-1309	C FACE KIT (kit may require RB3001A01)	A8

Performance Data at 575V, 60Hz, 20.0HP (Typical performance - Not guaranteed values)

General Characteristics							
Full Load Torque:	59.0 LB-FT			Start Configuration:	DOL		
No-Load Current:	7.5 Amps			Break-Down Torque:	213.0 LB-FT		
Line-line Res. @ 25°C.:	0.617 Ohms A Ph / 0.0 Ohms B Ph			Pull-Up Torque:	85.4 LB-FT		
Temp. Rise @ Rated Load:	60 C			Locked-Rotor Torque:	121.0 LB-FT		
Temp. Rise @ S.F. Load:	74 C			Starting Current:	140.0 Amps		
Load Characteristics							
% of Rated Load	25	50	75	100	125	150	S.F.
Power Factor:	46.0	69.0	80.0	84.0	86.0	87.0	85.0
Efficiency:	89.0	92.8	93.1	93.0	92.2	91.1	92.5
Speed:	1791.0	1783.0	1770.0	1766.0	1756.0	1745.0	1760.0
Line Amperes:	8.6	11.2	15.3	19.0	23.3	28.3	21.6

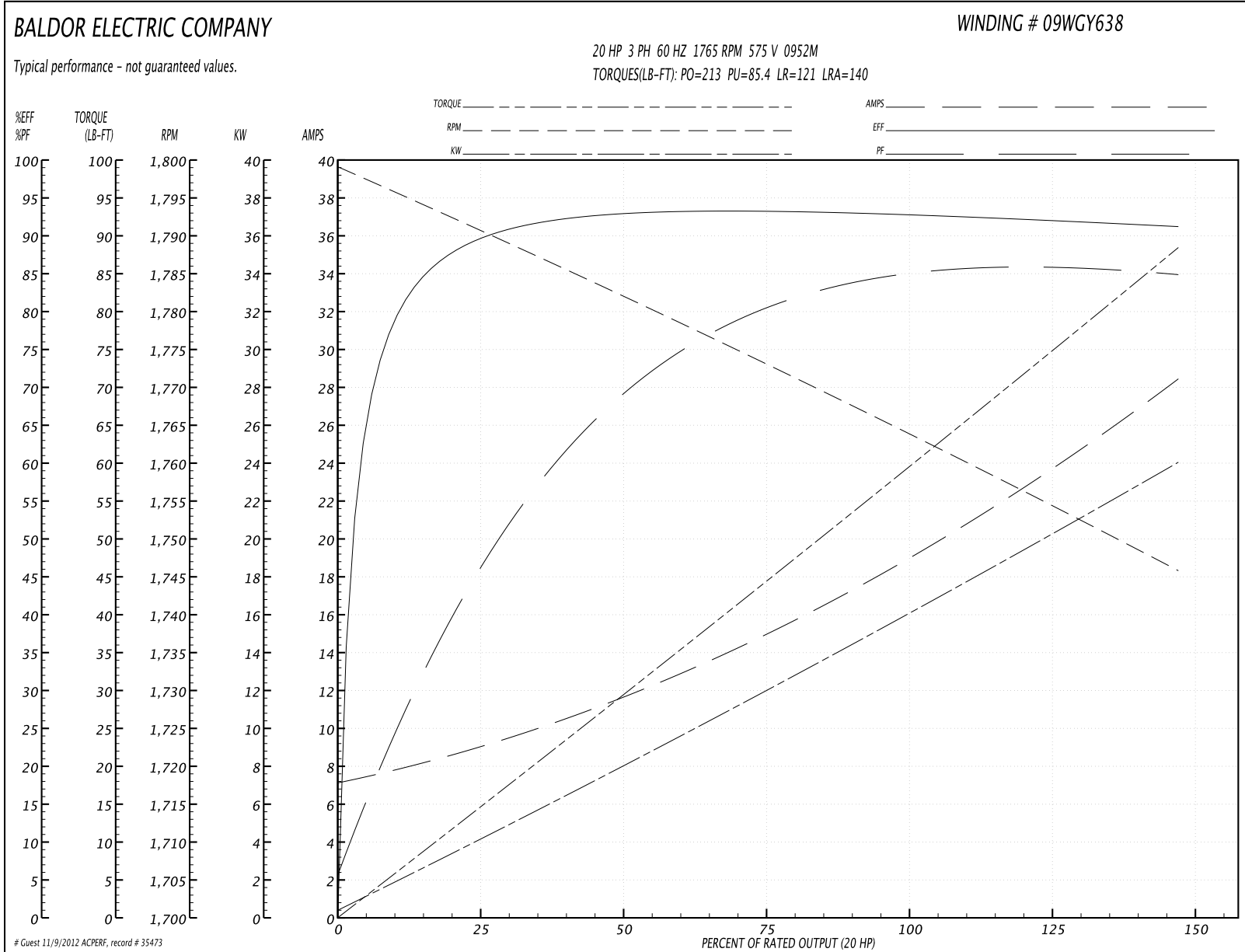
Performance Graph at 575V, 60Hz, 20.0HP Typical performance - Not guaranteed values

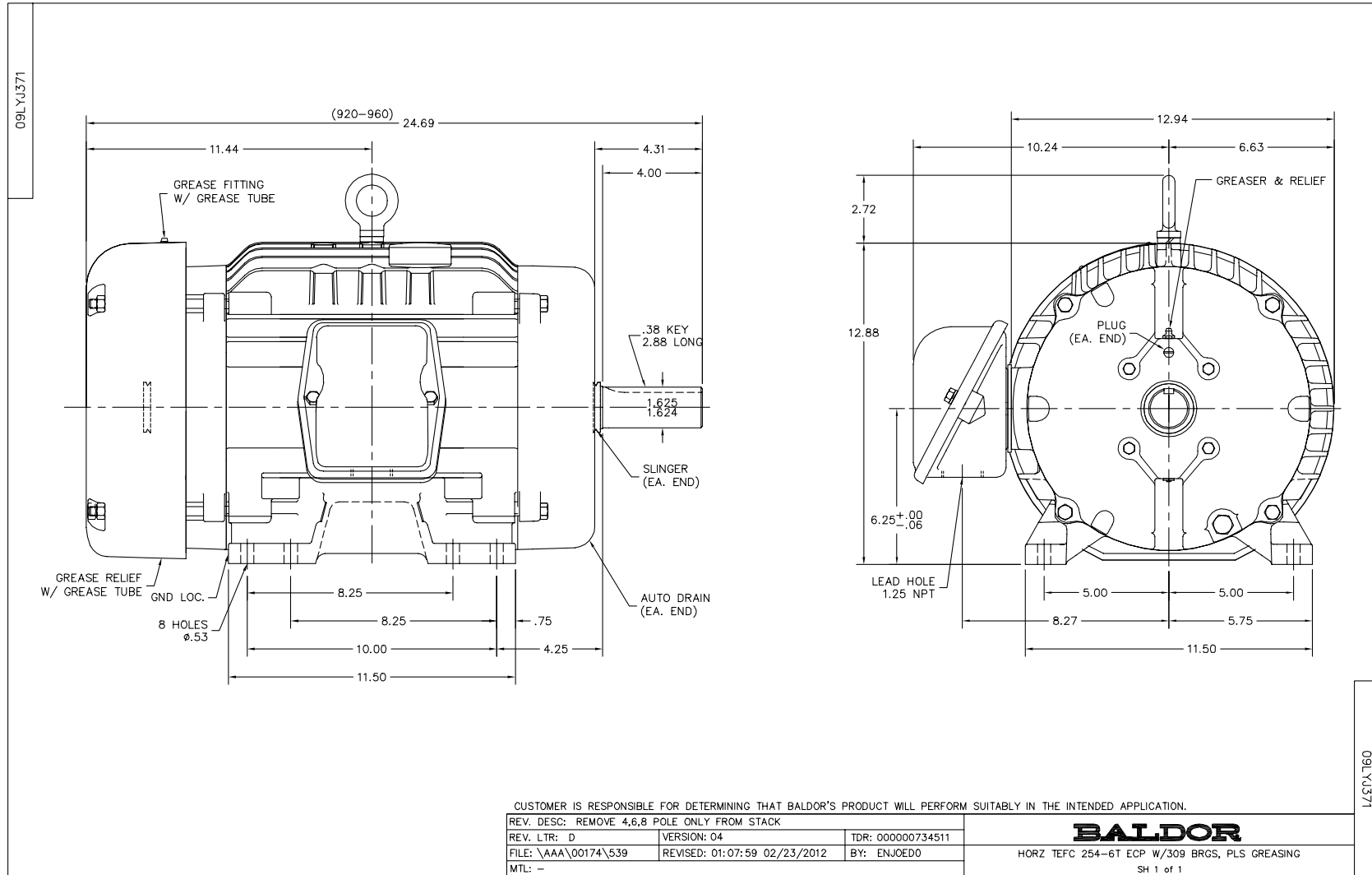


Performance Data at 575V, 60Hz, 20.0HP (Typical performance - Not guaranteed values)

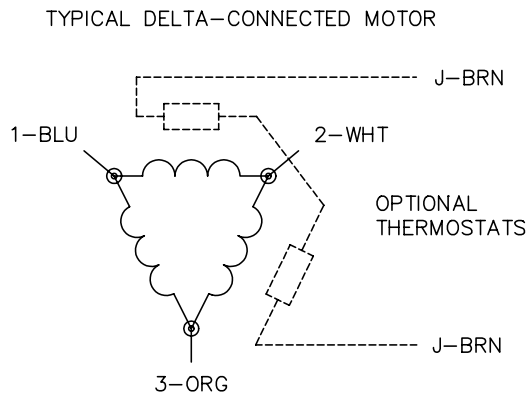
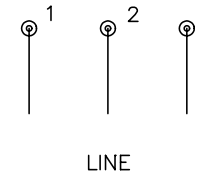
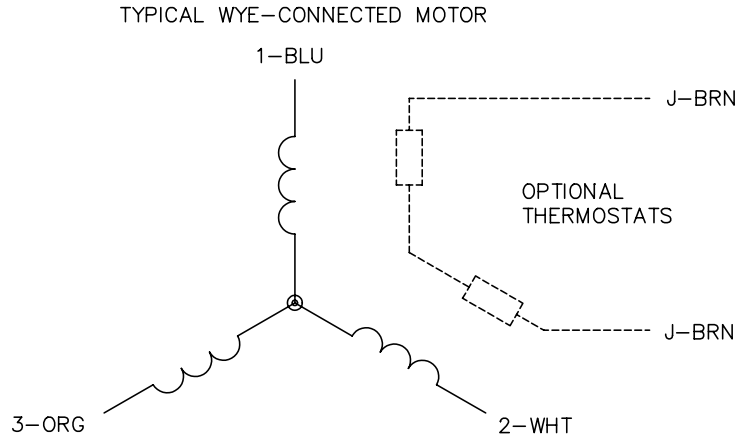
General Characteristics							
Full Load Torque:	59.0 LB-FT			Start Configuration:	DOL		
No-Load Current:	7.5 Amps			Break-Down Torque:	213.0 LB-FT		
Line-line Res. @ 25°C.:	0.617 Ohms A Ph / 0.0 Ohms B Ph			Pull-Up Torque:	85.4 LB-FT		
Temp. Rise @ Rated Load:	60 C			Locked-Rotor Torque:	121.0 LB-FT		
Temp. Rise @ S.F. Load:	74 C			Starting Current:	140.0 Amps		
Load Characteristics							
% of Rated Load	25	50	75	100	125	150	S.F.
Power Factor:	46.0	69.0	80.0	84.0	86.0	87.0	85.0
Efficiency:	89.0	92.8	93.1	93.0	92.2	91.1	92.5
Speed:	1791.0	1783.0	1770.0	1766.0	1756.0	1745.0	1760.0
Line Amperes:	8.6	11.2	15.3	19.2	23.3	28.3	21.6

Performance Graph at 575V, 60Hz, 20.0HP Typical performance - Not guaranteed values





CD0006



NOTES:

1. THREE LEAD MOTOR MAY BE EITHER WYE CONNECTED OR DELTA CONNECTED.
2. INTERCHANGE ANY TWO LINE LEADS TO REVERSE ROTATION.
3. OPTIONAL THERMOSTATS ARE PROVIDED WHEN SPECIFIED.
4. ACTUAL NUMBER OF INTERNAL PARALLEL CIRCUITS MAY VARY.
5. LEAD COLORS ARE OPTIONAL. LEADS MUST BE NUMBERED AS SHOWN.

REV. DESC: REVISE TO SHOW OPTIONAL COLORS			
REV. LTR: D	BY: JLP	REVISED: 01/21/99 4:02	TDR: 0171435
9000D		FILE: AAA00005141	MDL: -
		MTL: -	

BALDOR ELECTRIC Co.

3PH, SV, 3 LEADS, WYE OR DELTA CONNECTED

CD0006