

BALDOR® • **RELIANCE**

Product Information Packet

ECP3661T

3HP,1760RPM,3PH,60HZ,182T,0635M,TEFC,F1

Copyright © All product information within this document is subject to Baldor Electric Company copyright © protection, unless otherwise noted.

| Part Detail | | | | | | | |
|-------------|------|-------------|-------|----------------|----------|---------------|------------|
| Revision: | F | Status: | PRD/A | Change #: | | Proprietary: | No |
| Type: | AC | Prod. Type: | 0635M | Elec. Spec: | 06WGW985 | CD Diagram: | |
| Enclosure: | TEFC | Mfg Plant: | | Mech. Spec: | 06H483 | Layout: | |
| Frame: | 182T | Mounting: | F1 | Poles: | 04 | Created Date: | 05-19-2010 |
| Base: | RG | Rotation: | R | Insulation: | F | Eff. Date: | 04-23-2012 |
| Leads: | 9#16 | Literature: | | Elec. Diagram: | | Replaced By: | |

| Nameplate NP1260E | | | | | | | | | | |
|-------------------|--------------|----------------|--|--|--|------|-----|---|----|---|
| CAT.NO. | ECP3661T | | | | | | | | | |
| SPEC. | 06H483W985G1 | | | | | | | | | |
| HP | 3 | | | | | | | | | |
| VOLTS | 230/460 | | | | | | | | | |
| AMP | 8.4/4.2 | | | | | | | | | |
| RPM | 1760 | | | | | | | | | |
| FRAME | 182T | HZ | | | | 60 | PH | 3 | | |
| SER.F. | 1.15 | CODE | | | | K | DES | B | CL | F |
| NEMA-NOM-EFF | 90.2 | PF | | | | 74 | | | | |
| RATING | 40C AMB-CONT | | | | | | | | | |
| CC | 010A | USABLE AT 208V | | | | | | | | |
| DE | 6206 | ODE | | | | 6206 | | | | |
| ENCL | TEFC | SN | | | | | | | | |
| | | | | | | | | | | |

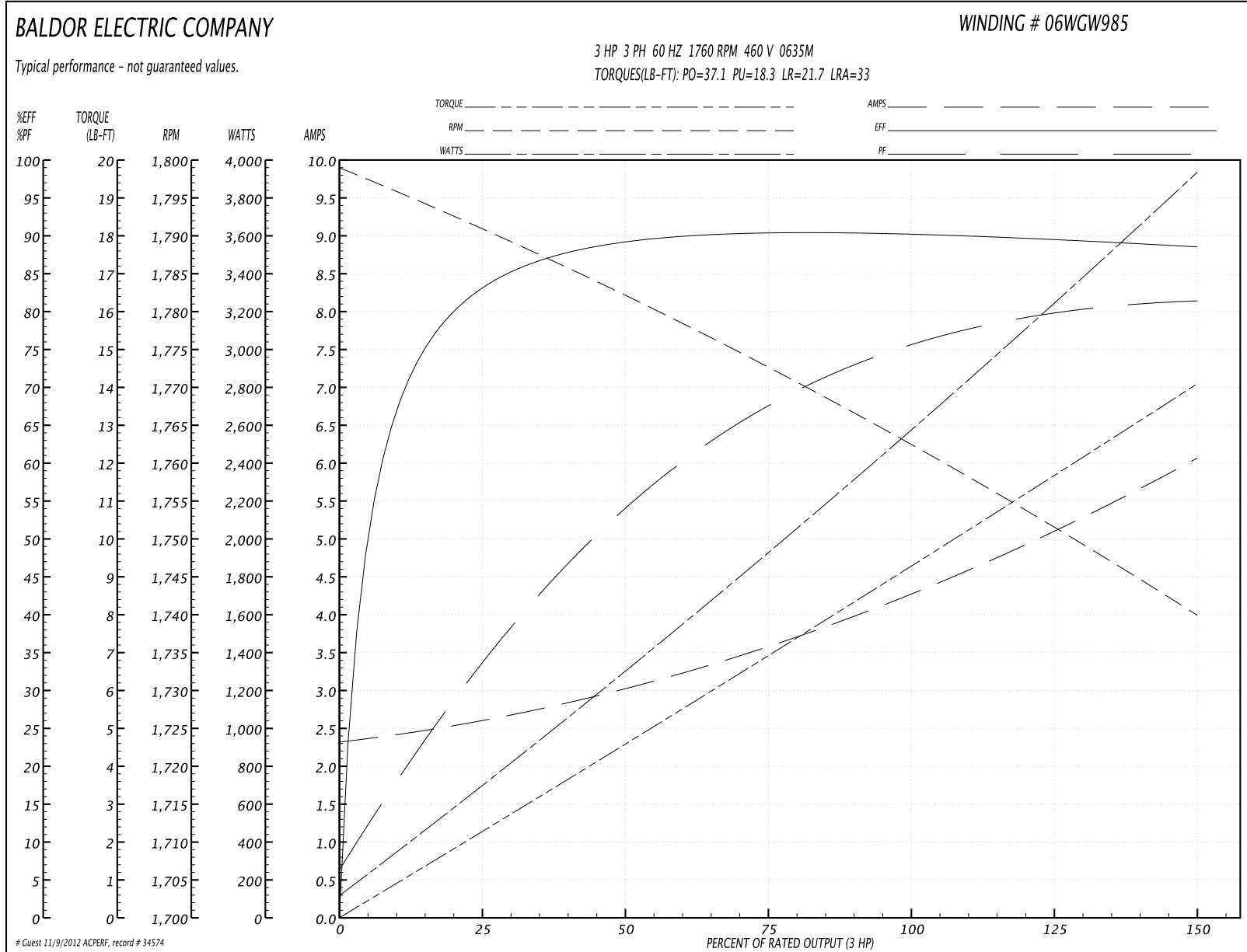
| Parts List | | |
|----------------|---|----------|
| Part Number | Description | Quantity |
| SA198420 | SA 06H483W985G1 | 1.000 EA |
| RA185787 | RA 06H483W985G1 | 1.000 EA |
| 36FN3000C01SP | EXFN, PLASTIC, 5.25 OD, .912 ID | 1.000 EA |
| S/P107-000-001 | SUPER E PROC'S-FS & WS PLTS-POLYREX EM G | 1.000 EA |
| HW3201A05 | 3/8-16 EYEBOLT | 1.000 EA |
| 06CB1000A02G | CONDUIT BOX, MACH GRAY | 1.000 EA |
| RM1016 | LEAD SEPARATOR GASKET - 305/306 C.P.MOTO | 1.000 EA |
| 51XW2520A12 | .25-20 X .75, TAPTITE II, HEX WSHR SLTD | 2.000 EA |
| 11XW1032G06 | 10-32 X .38, TAPTITE II, HEX WSHR SLTD U | 1.000 EA |
| HW3001B01 | 003SS CUP WASHER, FOR #8 SCREW | 1.000 EA |
| 10XN2520S06 | 1/4 20X3/8 HX HD CAP S.S. | 2.000 EA |
| WD1000B16 | KPA-4C BURNDY TERMINAL | 2.000 EA |
| 36EP1100B72G | FREP 6206,GRSR,RLF, .25-20 FH HOLES,DRAIN | 1.000 EA |
| HW4500A17 | 317400 ALEMITE GREASE RELIEF | 1.000 EA |
| HW4500A01 | 1641B(ALEMITE)400 UNIV, GREASE FITT | 1.000 EA |
| HA4051A00 | PLASTIC CAP FOR GREASE FITTING | 1.000 EA |
| HA4001A01SP | DRAIN PLUG, PLASTIC (MICRO PLAS) | 1.000 EA |
| HW5100A06 | W2420-025 WVY WSHR (WB) | 1.000 EA |
| 36EP1100A29G | PU ENDPLATE MACH, GRAY | 1.000 EA |
| HW4500A01 | 1641B(ALEMITE)400 UNIV, GREASE FITT | 1.000 EA |
| HA4051A00 | PLASTIC CAP FOR GREASE FITTING | 1.000 EA |
| HW4500A17 | 317400 ALEMITE GREASE RELIEF | 1.000 EA |
| HA4001A01SP | DRAIN PLUG, PLASTIC (MICRO PLAS) | 1.000 EA |
| HA3101A34 | THRUBOLT- 1/4-20 X 10.375 | 4.000 EA |

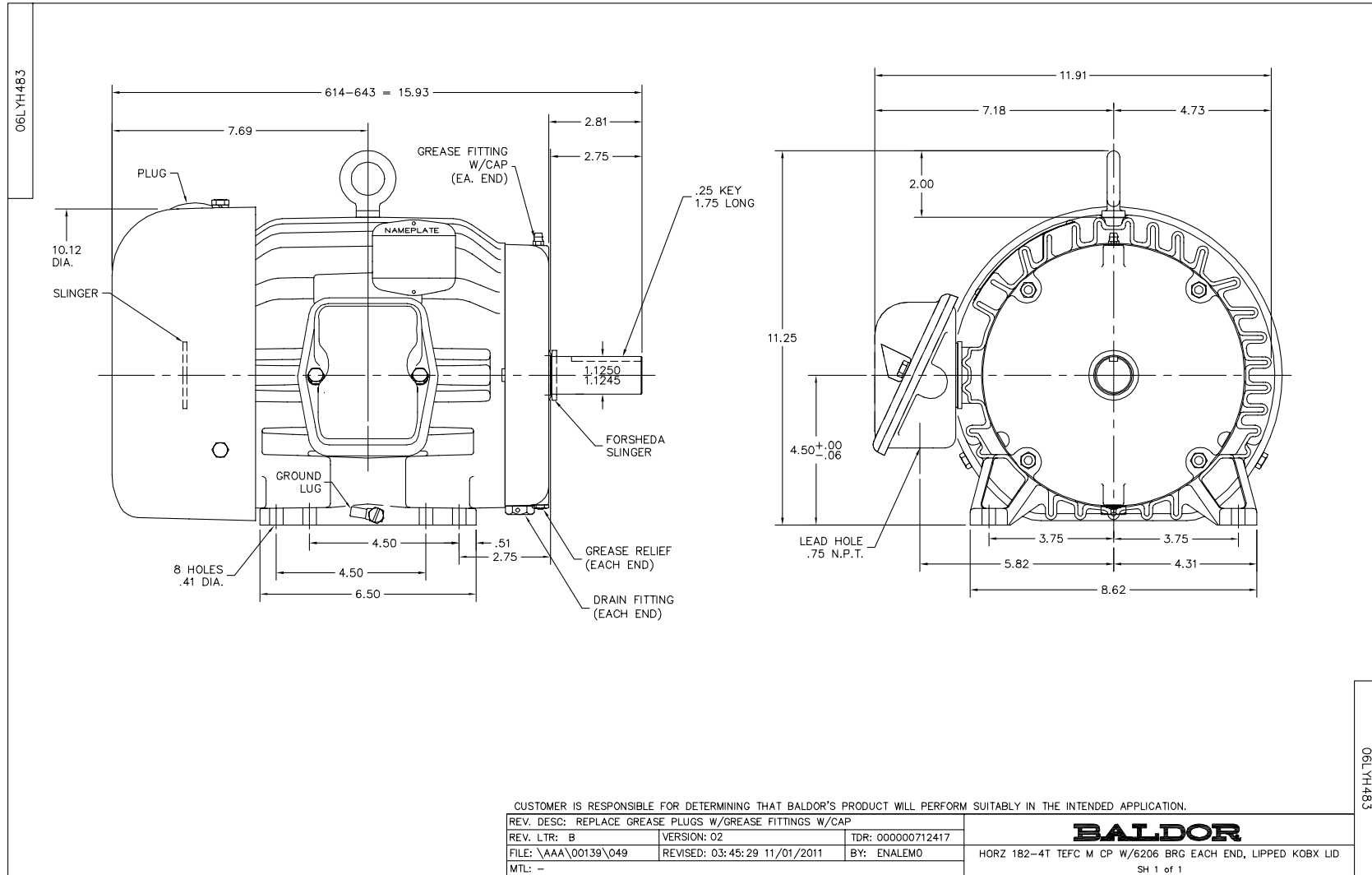
| Parts List (continued) | | |
|------------------------|--|----------|
| Part Number | Description | Quantity |
| XY2520A12 | 1/4-20 HEX NUT, DIRECTIONAL SERRATIONS | 4.000 EA |
| 06FH1004A01G | FAN HOUSING MACH, W/GRAY EPOXY | 1.000 EA |
| WD4100A02 | DP-1000 HEYCO PLUG OR 62MP1000 MICRO PL | 1.000 EA |
| 10XN2520A24 | 1/4-20X 1 1/2 HEX HD X | 3.000 EA |
| 06CB1502A01G | LIPPED CONDUIT BOX LID, MACH GRAY EPOXY | 1.000 EA |
| 06GS1003 | GASKET, KOBX LID, 1/8" THICK BLACK NEOPR | 1.000 EA |
| 10XN2520A12 | O1/4-20X 3/4 HEX HEAD CAP | 2.000 EA |
| HW1001A25 | LOCKWASHER 1/4, ZINC PLT .493 OD, .255 I | 2.000 EA |
| HA1005A22 | SLINGER, OD 2.00, ID 1.14, 206 BRG, GM | 1.000 EA |
| HW4600B36SP | V-RING SLINGER 1.188 X 1.690 X 0.240 | 1.000 EA |
| HW2501E16 | 3KEY, 1/4 SQ X 1.750 | 1.000 EA |
| HA7000A02 | KEY RETAINER RING, 1 1/8 DIA, 1 3/8 DIA | 1.000 EA |
| MJ5001A01 | 46-665 RED SEALER | 0.001 QT |
| 85XU0407S04 | 4X1/4 U DRIVE PIN STAINLESS | 2.000 EA |
| LB1115 | LABEL,LIFTING DEVICE | 1.000 EA |
| LB1002 | LABEL,MARINE DUTY (ON ROLLS) | 1.000 EA |
| MJ1000A75 | GREASE, POLYREX EM EXXON | 0.050 LB |
| MG1025N19 | PAINT, 778.50 WILKO, RELIANCE ELEC GREEN | 0.028 GA |
| LC0005E01 | CONN.DIA./WARNING LABEL (LC0005/LB1119) | 1.000 EA |
| LB1125C02 | SUPER-E (STOCK CTN LABEL SUPER-E WITH FL | 1.000 EA |
| LB1357 | ENERGY GUIDE LABEL (BOX LABEL) | 1.000 SH |
| NP1260E | SS CP SUPER-E UL CSA CC | 1.000 EA |
| 36PA1001 | PACKAGING GROUP | 1.000 EA |

Performance Data at 460V, 60Hz, 3.0HP (Typical performance - Not guaranteed values)

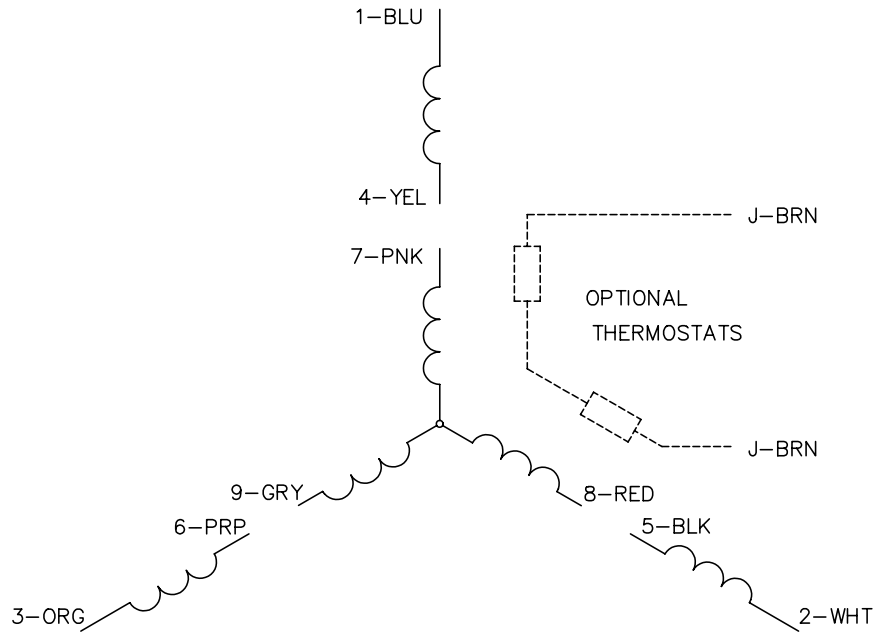
| General Characteristics | | | | | | | |
|--------------------------|--------------------------------|--------|--------|----------------------|------------|--------|--------|
| Full Load Torque: | 8.98 LB-FT | | | Start Configuration: | DOL | | |
| No-Load Current: | 2.36 Amps | | | Break-Down Torque: | 37.1 LB-FT | | |
| Line-line Res. @ 25°C.: | 3.66 Ohms A Ph / 0.0 Ohms B Ph | | | Pull-Up Torque: | 18.3 LB-FT | | |
| Temp. Rise @ Rated Load: | 32 C | | | Locked-Rotor Torque: | 21.7 LB-FT | | |
| Temp. Rise @ S.F. Load: | 38 C | | | Starting Current: | 33.0 Amps | | |
| Load Characteristics | | | | | | | |
| % of Rated Load | 25 | 50 | 75 | 100 | 125 | 150 | S.F. |
| Power Factor: | 35.0 | 54.0 | 66.0 | 74.0 | 79.0 | 82.0 | 77.0 |
| Efficiency: | 82.2 | 88.9 | 90.4 | 90.4 | 89.9 | 88.4 | 90.1 |
| Speed: | 1791.0 | 1782.0 | 1774.0 | 1764.0 | 1753.0 | 1740.0 | 1757.0 |
| Line Amperes: | 2.57 | 2.95 | 3.53 | 4.23 | 4.98 | 6.04 | 4.68 |

Performance Graph at 460V, 60Hz, 3.0HP Typical performance - Not guaranteed values





CD0005



LOW VOLTAGE
(2Y)



LINE

HIGH VOLTAGE
(1Y)



LINE

NOTES:

1. INTERCHANGE ANY TWO LINE LEADS TO REVERSE ROTATION.
2. OPTIONAL THERMOSTATS ARE PROVIDED WHEN SPECIFIED.
3. ACTUAL NUMBER OF INTERNAL PARALLEL CIRCUITS MAY BE A MULTIPLE OF THOSE SHOWN ABOVE.
4. LEAD COLORS ARE OPTIONAL. LEADS MUST ALWAYS BE NUMBERED AS SHOWN.

| | | | |
|---|---------|-------------------------|--------------|
| REV. DESC: REVISE TO SHOW OPTIONAL COLORS | | | |
| REV. LTR: E | BY: JLP | REVISED: 01/19/99 10:15 | TDR: 0171435 |
| 9000D | | FILE: AAA00005140 | MDL: - |
| | | MTL: - | |

BALDOR ELECTRIC Co.

3PH, DV, 9 LEADS

CD0005