

BALDOR® • *RELIANCE*

Product Information Packet

ECP3771T

10HP,3500RPM,3PH,60HZ,215T,0742M,TEFC,F1

Copyright © All product information within this document is subject to Baldor Electric Company copyright © protection, unless otherwise noted.

Part Detail									
Revision:	C	Status:	PRD/A	Change #:		Proprietary:	No		
Type:	AC	Prod. Type:	0742M	Elec. Spec:	07WGY012	CD Diagram:			
Enclosure:	TEFC	Mfg Plant:		Mech. Spec:	07K374	Layout:			
Frame:	215T	Mounting:	F1	Poles:	02	Created Date:	11-29-2011		
Base:	RG	Rotation:	R	Insulation:	F	Eff. Date:	05-02-2012		
Leads:	9#14	Literature:		Elec. Diagram:		Replaced By:			
Nameplate NP1260E									
CAT.NO.	ECP3771T								
SPEC.	07K374Y012G1								
HP	10								
VOLTS	230/460								
AMP	22/11								
RPM	3500								
FRAME	215T	HZ			60	PH	3		
SER.F.	1.15	CODE			H	DES	B	CL	F
NEMA-NOM-EFF	92.4	PF			90				
RATING	40C AMB-CONT								
CC	010A	USABLE AT 208V			24.5				
DE	6307	ODE			6307				
ENCL	TEFC	SN							

Parts List		
Part Number	Description	Quantity
SA235039	SA 07K374Y012G1	1.000 EA
RA222002	RA 07K374Y012G1	1.000 EA
36FN3000C02	EXFN, PLASTIC, 5.25 OD, 1.175 ID	1.000 EA
S/P107-000-001	SUPER E PROC'S-FS & WS PLTS-POLYREX EM G	1.000 EA
HW3201A05	3/8-16 EYEBOLT	1.000 EA
09CB1001A03G	CONDUIT BOX, MACH GRAY	1.000 EA
RM1017	LEAD SEPERATOR GASKET MODEL 307 1/8" THK	1.000 EA
51XW2520A12	.25-20 X .75, TAPTITE II, HEX WSHR SLTD	2.000 EA
11XW1032G06	10-32 X .38, TAPTITE II, HEX WSHR SLTD U	1.000 EA
HW3001B01	003SS CUP WASHER, FOR #8 SCREW	1.000 EA
10XN2520S06	1/4 20X3/8 HX HD CAP S.S.	2.000 EA
WD1000B16	KPA-4C BURNDY TERMINAL	2.000 EA
37EP1101C43G	TEFC 307 BRG, GRSR,RELIEF,.25-20 FH TAPS	1.000 EA
HW4500A01	1641B(ALEMITE)400 UNIV, GREASE FITT	1.000 EA
HA4051A00	PLASTIC CAP FOR GREASE FITTING	1.000 EA
HW4500A17	317400 ALEMITE GREASE RELIEF	1.000 EA
HA4001A01SP	DRAIN PLUG, PLASTIC (MICRO PLAS)	1.000 EA
HW5100A08	W3118-035 WVY WSHR (WB)	1.000 EA
37EP1101A32G	PU ENDPLATE MACH	1.000 EA
HW4500A01	1641B(ALEMITE)400 UNIV, GREASE FITT	1.000 EA
HA4051A00	PLASTIC CAP FOR GREASE FITTING	1.000 EA
HW4500A17	317400 ALEMITE GREASE RELIEF	1.000 EA
HA4001A01SP	DRAIN PLUG, PLASTIC (MICRO PLAS)	1.000 EA
XY3118A12	5/16-18 HEX NUT DIRECTIONAL SERRATION	4.000 EA

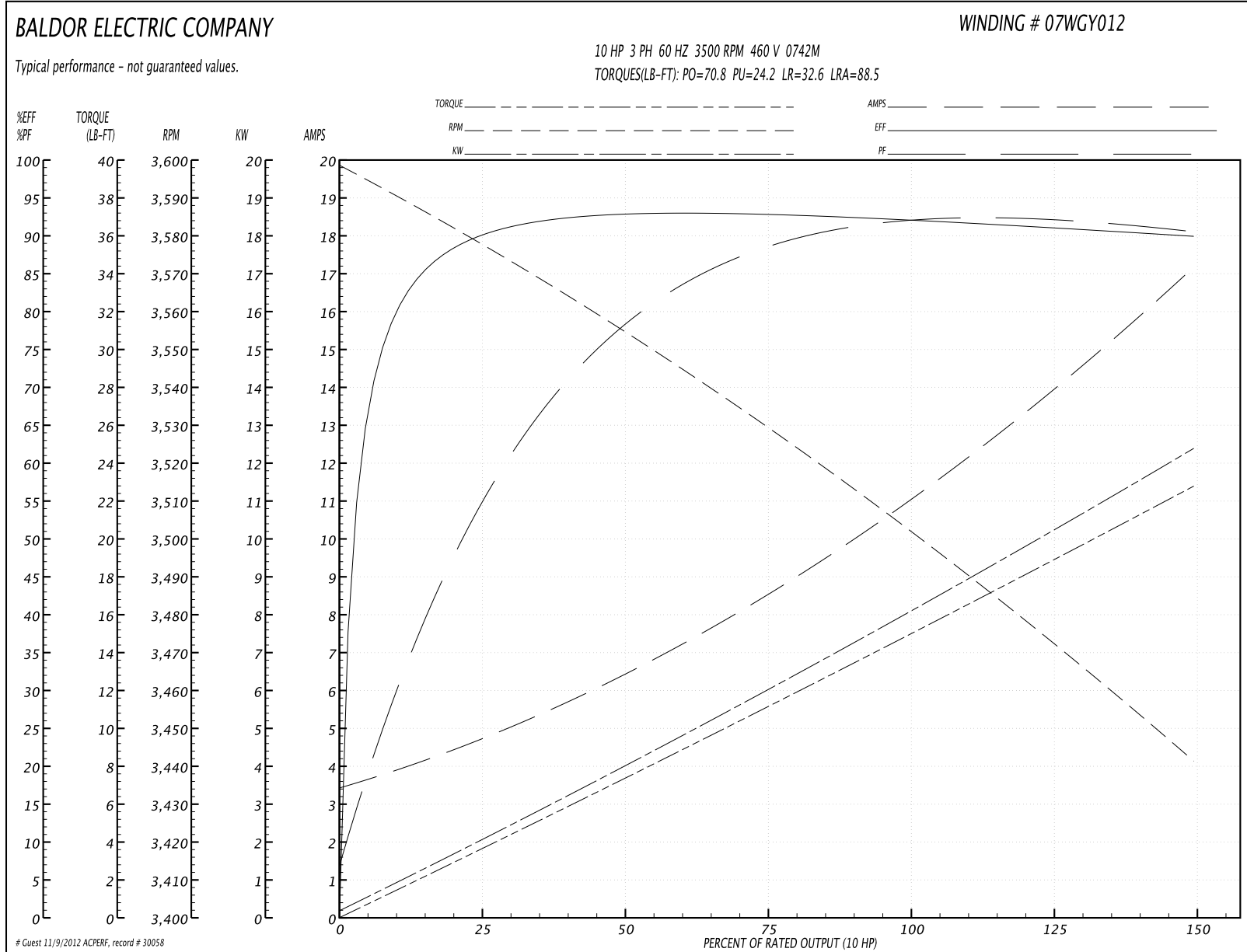
Parts List (continued)		
Part Number	Description	Quantity
51XB1214A20	12-14X1.25 HXWSSLD SERTYB	1.000 EA
07FH1001A01G	SPL FAN HOUSING, 307, W/GREASER, GRAY EP	1.000 EA
10XN2520A16	1/4-20 X 1 HEX HEAD CAP SCR, ZINC PLATED	3.000 EA
WD4100A02	DP-1000 HEYCO PLUG OR 62MP1000 MICRO PL	1.000 EA
09CB1504A01G	LIPPED CONDUIT BOX LID, MACH GRAY EPOXY	1.000 EA
09GS1001A01SP	GASKET, BOX LID, 1/8 THICK BLACK NEOPREN	1.000 EA
10XF2520A12	1/4-20 X 3/4 HX HD TYPE F	2.000 EA
HW1001A25	LOCKWASHER 1/4, ZINC PLT .493 OD, .255 I	2.000 EA
HA1005A07SP	SLINGER, OD 2.25, ID 1.344, 307 BRG	1.000 EA
HW4600B33	V-RING SLINGER 1.375 X 1.890 X 0.350	1.000 EA
HW2501F21	KEY, 5/16 SQ X 2.375	1.000 EA
HA7000A02	KEY RETAINER RING, 1 1/8 DIA, 1 3/8 DIA	1.000 EA
MJ5001A01	46-665 RED SEALER	0.001 QT
85XU0407S04	4X1/4 U DRIVE PIN STAINLESS	2.000 EA
LB1115	LABEL,LIFTING DEVICE	1.000 EA
LB1002	LABEL,MARINE DUTY (ON ROLLS)	1.000 EA
MJ1000A75	GREASE, POLYREX EM EXXON	0.050 LB
HA3104A32	THRUBOLT- 5/16-18 X12.750	4.000 EA
MG1025N19	PAINT, 778.50 WILKO, RELIANCE ELEC GREEN	0.036 GA
LB1125C02	SUPER-E (STOCK CTN LABEL SUPER-E WITH FL	1.000 EA
LC0005E01	CONN.DIA./WARNING LABEL (LC0005/LB1119)	1.000 EA
LB1357	ENERGY GUIDE LABEL (BOX LABEL)	1.000 SH
NP1260E	SS CP SUPER-E UL CSA CC	1.000 EA
07PA1011	PKG GRP, 07 CAST IRON PK1181	1.000 EA

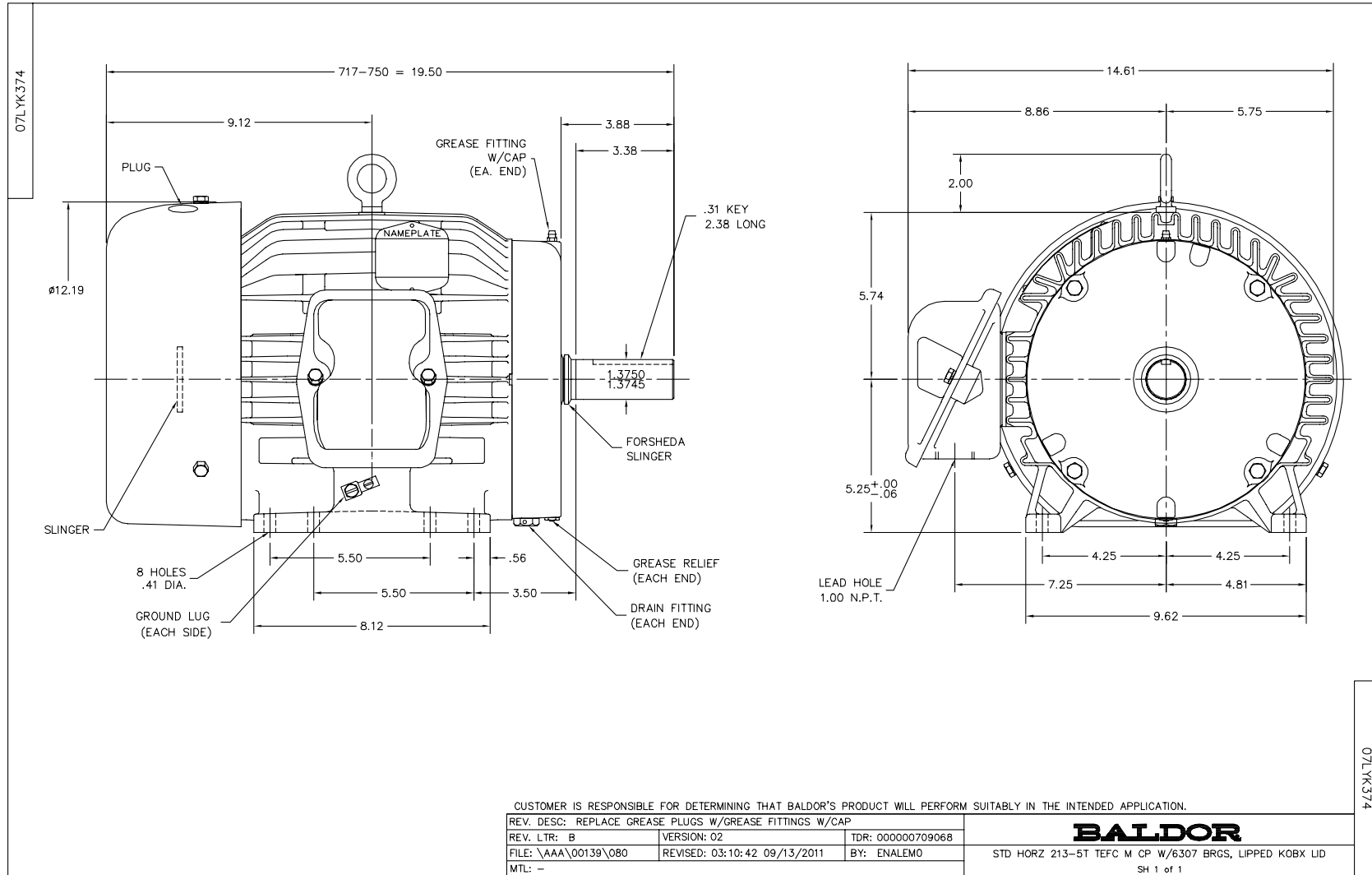
Performance Data at 460V, 60Hz, 10.0HP (Typical performance - Not guaranteed values)

General Characteristics			
Full Load Torque:	14.9 LB-FT	Start Configuration:	DOL
No-Load Current:	3.61 Amps	Break-Down Torque:	70.8 LB-FT
Line-line Res. @ 25°C.:	0.776 Ohms A Ph / 0.0 Ohms B Ph	Pull-Up Torque:	24.2 LB-FT
Temp. Rise @ Rated Load:	40 C	Locked-Rotor Torque:	32.6 LB-FT
Temp. Rise @ S.F. Load:	51 C	Starting Current:	88.5 Amps

Load Characteristics							
% of Rated Load	25	50	75	100	125	150	S.F.
Power Factor:	58.0	79.0	88.0	90.0	92.0	91.0	91.0
Efficiency:	90.1	93.0	93.2	92.5	91.4	90.0	91.8
Speed:	3578.4	3554.5	3528.7	3503.4	3473.7	3440.8	3486.0
Line Amperes:	4.43	6.32	8.64	11.1	13.9	17.1	12.8

Performance Graph at 460V, 60Hz, 10.0HP Typical performance - Not guaranteed values





CD0005

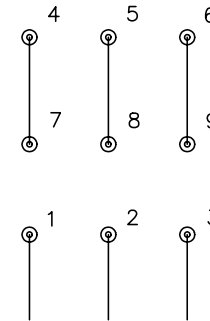


LOW VOLTAGE
(2Y)



LINE

HIGH VOLTAGE
(1Y)



LINE

NOTES:

1. INTERCHANGE ANY TWO LINE LEADS TO REVERSE ROTATION.
2. OPTIONAL THERMOSTATS ARE PROVIDED WHEN SPECIFIED.
3. ACTUAL NUMBER OF INTERNAL PARALLEL CIRCUITS MAY BE A MULTIPLE OF THOSE SHOWN ABOVE.
4. LEAD COLORS ARE OPTIONAL. LEADS MUST ALWAYS BE NUMBERED AS SHOWN.

REV. DESC: REVISE TO SHOW OPTIONAL COLORS			
REV. LTR: E	BY: JLP	REVISED: 01/19/99 10:15	TDR: 0171435
90000		FILE: AAA00005140	MDL: -
		MTL: -	

BALDOR ELECTRIC Co.

3PH, DV, 9 LEADS

CD0005