

# **BALDOR**® • *RELIANCE*

## **Product Information Packet**

# **ECP4108T-4**

**30HP,3520RPM,3PH,60HZ,286TS,1042M,TEFC,F**

Copyright © All product information within this document is subject to Baldor Electric Company copyright © protection, unless otherwise noted.

Part Detail							
Revision:	E	Status:	PRD/A	Change #:		Proprietary:	No
Type:	AC	Prod. Type:	1042M	Elec. Spec:	10WGX792	CD Diagram:	
Enclosure:	TEFC	Mfg Plant:		Mech. Spec:	10G403	Layout:	
Frame:	286TS	Mounting:	F1	Poles:	02	Created Date:	04-22-2010
Base:	RG	Rotation:	R	Insulation:	F	Eff. Date:	10-26-2012
Leads:	3#10	Literature:		Elec. Diagram:		Replaced By:	

**Nameplate NP1260E**

CAT.NO.	ECP4108T-4						
SPEC.	10G403X792G2						
HP	30						
VOLTS	460						
AMP	33						
RPM	3520						
FRAME	286TS	HZ	60	PH	3		
SER.F.	1.15	CODE	G	DES	B	CL	F
NEMA-NOM-EFF	91.7	PF	90				
RATING	40C AMB-CONT						
CC	010A	USABLE AT 208V					
DE	6311	ODE	6311				
ENCL	TEFC	SN					

Parts List		
Part Number	Description	Quantity
SA194787	SA 10G403X792G2	1.000 EA
RA182370	RA 10G403X792G2	1.000 EA
37FN3002C03	EXFN, PLASTIC, 6.00 OD, 1.690 ID	1.000 EA
S/P107-000-004	SUPER-E(284 FR. & UP)-CL PLANT,POLYREX E	1.000 EA
10CB1000A09P	CONDUIT BOX, MACH W/EPOXY PRIMER	1.000 EA
09GS1010	GASKET, DWG, LEADWIRE SEPERATOR	1.000 EA
10XN3118K16	5/16-18 X 1" GRADE #5, STL, ZINC PLATE	4.000 EA
HW1001A31	LOCKWASHER 5/16, ZINC PLT.591 OD, .319 I	4.000 EA
10CB1503A01P	CONDUIT BOX LIPPED LID, MACH W/EPXY PRMR	1.000 EA
14GS1003	GASKET CONDUIT BOX LID, NEOP	1.000 EA
10XN2520K16	1/4-20 X 1" HX HD SCRW GRADE 5, ZINC P	4.000 EA
HW1001A25	LOCKWASHER 1/4, ZINC PLT .493 OD, .255 I	4.000 EA
HW2501G17	KEY, 3/8 SQ X 1.875	1.000 EA
MJ5001A01	46-665 RED SEALER	0.031 QT
MJ5001A14	DYNAPRO SEAL, CP MOTORS VC#2508050 (603	0.026 EA
LB1115	LABEL,LIFTING DEVICE	1.000 EA
LB5040	INSTRUCTION TAG, AC & DC	1.000 EA
LB1002	LABEL,MARINE DUTY (ON ROLLS)	1.000 EA
10EP1110A06GP6	FREP, MACH W/PRIMER & GREEN PAINT	1.000 EA
HA4051A00	PLASTIC CAP FOR GREASE FITTING	1.000 EA
HW4500A17	317400 ALEMITE GREASE RELIEF	1.000 EA
HW4500A03	GREASE FITTING, .125 NPT 1610(ALEMITE) 8	1.000 EA
HA4001A01SP	DRAIN PLUG, PLASTIC (MICRO PLAS)	1.000 EA
HW2500A25	WOODRUFF KEY USA #1008 #BLOW CARBON STEE	1.000 EA

Parts List (continued)		
Part Number	Description	Quantity
51XB1214A20	12-14X1.25 HXWSSLD SERTYB	1.000 EA
MG1025N19	PAINT, 778.50 WILKO, RELIANCE ELEC GREEN	0.070 GA
85XU0407S04	4X1/4 U DRIVE PIN STAINLESS	2.000 EA
LB1119	WARNING LABEL	1.000 EA
LB1125C04	STD-E (STOCK CTN LABEL STD-E WITH FLAG)	4.000 EA
LB1357	ENERGY GUIDE LABEL (BOX LABEL)	1.000 SH
LC0006	CONNECTION LABEL	1.000 EA
NP1260E	SS CP SUPER-E UL CSA CC	1.000 EA
10PA1000	PACKAGING GROUP COMBINED PRINT PK1023A06	1.000 EA
HW4500A21	1618BALEMITE FITTING 825 UNIVERSAL	1.000 EA
HW4500A17	317400 ALEMITE GREASE RELIEF	1.000 EA
HA4001A01SP	DRAIN PLUG, PLASTIC (MICRO PLAS)	1.000 EA
MJ1000A75	GREASE, POLYREX EM EXXON	0.130 LB
HA4051A00	PLASTIC CAP FOR GREASE FITTING	1.000 EA
WD1000B16	KPA-4C BURNDY TERMINAL	1.000 EA
10XN2520K06	1/4-20 X 3/8" HX HD SCREWGRADE 5, ZINC P	1.000 EA
HW1001A25	LOCKWASHER 1/4, ZINC PLT .493 OD, .255 I	1.000 EA
HA4017A11	1/8 X 2.75 GREASE EXT (F/S)	1.000 EA
HA4017A03	.125 X 1.75 GREASE EXT (F/S)	1.000 EA
HA4024A02	1/8 DOUBLE FEMALE SS CPLG, MCM #4464K351	1.000 EA
10XN3816K28	3/8-16 X 1.75 HEX HD CAP SCREW, GRADE 5	4.000 EA
HW1001A38	LOCKWASHER 3/8, ZINC PLT .688 OD, .382 I	4.000 EA
HW4600B40	V-RING SLINGER 2.000 X 2.680 X 0.280	1.000 EA
HW4600B40	V-RING SLINGER 2.000 X 2.680 X 0.280	1.000 EA

Parts List (continued)		
Part Number	Description	Quantity
HW1001A38	LOCKWASHER 3/8, ZINC PLT .688 OD, .382 I	4.000 EA
10XN3118K40	5/16-18 X 2.50" HEX HD, GRADE 5	4.000 EA
10FH1007P	FAN COVER, CAST W/EPOXY PRIMER	1.000 EA
10XN3118K24	5/16-18 X 1.50" HEX HD, GRADE 5	1.000 EA
HW1001A31	LOCKWASHER 5/16, ZINC PLT.591 OD, .319 I	3.000 EA
HW5100A13	W4627-047 WVY WSHER	1.000 EA
10XN3118K36	5/16-18 X 2.25" HEX HD, GRADE 5	4.000 EA
10EP1105A01P	MACH'D EPOXY PRIMED EP	1.000 EA
10XN3816K28	3/8-16 X 1.75 HEX HD CAP SCREW, GRADE 5	4.000 EA

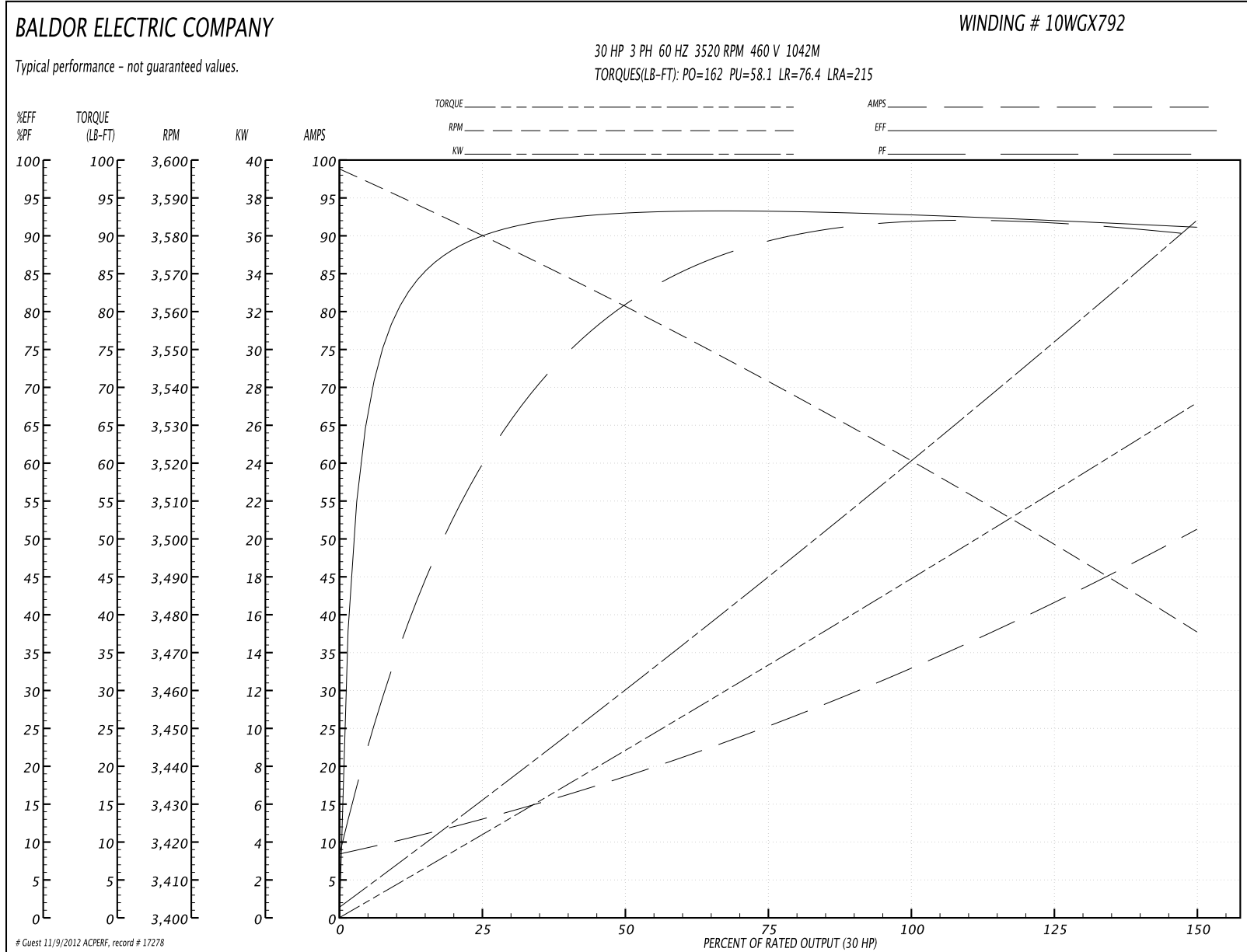
Accessories		
Part Number	Description	Multiplier
K28G2	280T&U TEFC U-FRAME C-FACE KIT	A8

**Performance Data at 460V, 60Hz, 30.0HP (Typical performance - Not guaranteed values)**

General Characteristics			
Full Load Torque:	44.5 LB-FT	Start Configuration:	DOL
No-Load Current:	9.03 Amps	Break-Down Torque:	162.0 LB-FT
Line-line Res. @ 25°C.:	0.237 Ohms A Ph / 0.0 Ohms B Ph	Pull-Up Torque:	58.1 LB-FT
Temp. Rise @ Rated Load:	61 C	Locked-Rotor Torque:	76.4 LB-FT
Temp. Rise @ S.F. Load:	75 C	Starting Current:	215.0 Amps

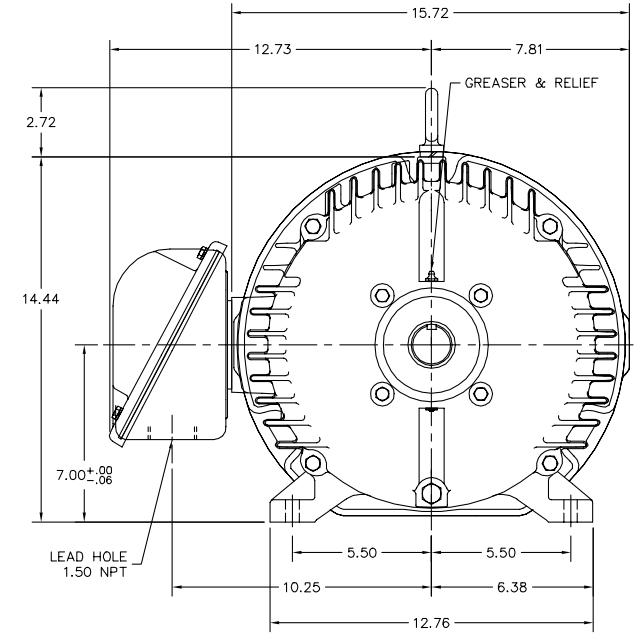
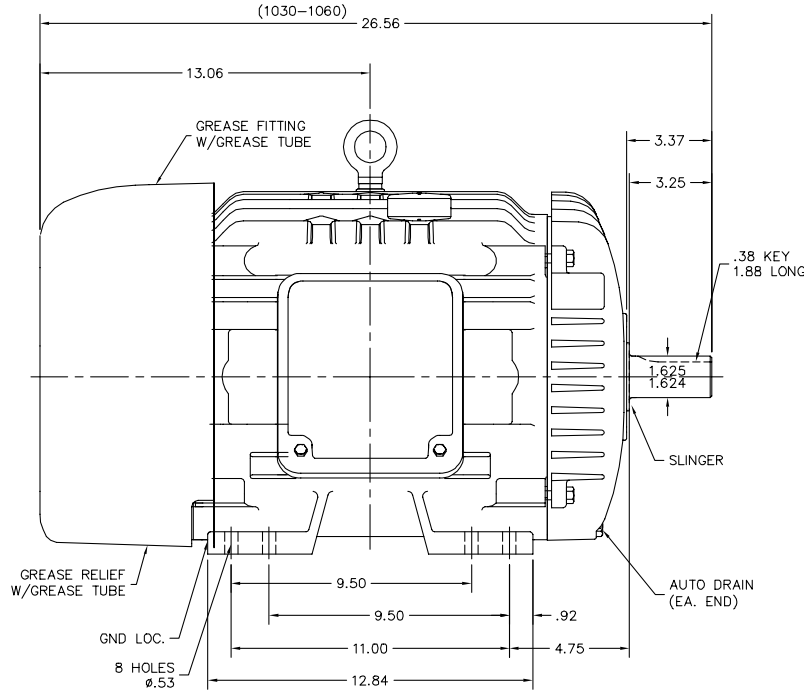
Load Characteristics							
% of Rated Load	25	50	75	100	125	150	S.F.
Power Factor:	64.0	83.0	88.0	91.0	91.0	91.0	91.0
Efficiency:	89.6	92.8	93.4	92.7	92.3	91.1	92.5
Speed:	3579.0	3560.0	3542.0	3522.0	3500.0	3474.0	3509.0
Line Amperes:	12.1	18.4	25.4	33.3	41.8	51.0	38.4

Performance Graph at 460V, 60Hz, 30.0HP Typical performance - Not guaranteed values





10LYG403

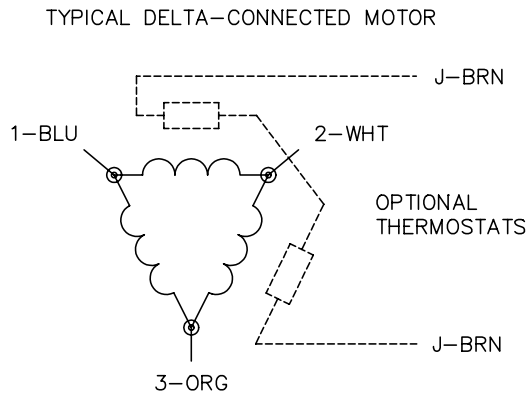
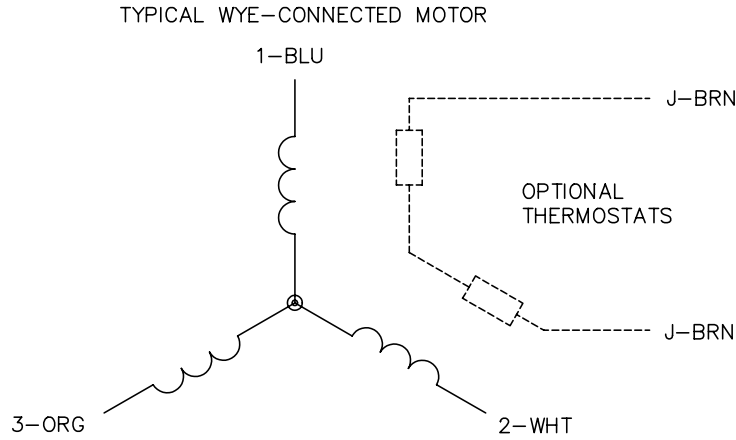


10LYG403

CUSTOMER IS RESPONSIBLE FOR DETERMINING THAT BALDOR'S PRODUCT WILL PERFORM SUITABLY IN THE INTENDED APPLICATION.

REV. DESC: CORRECT SH EXT DIM ON LAYOUT			<p><b>BALDOR</b></p> <p>STD HORZ TEFC 284-6TS ECP W/311 BRGS</p> <p>SH 1 of 1</p>
REV. LTR: D	VERSION: 04	TDR: 000000564641	
FILE: \AAA\00142\597	REVISED: 08:07:09 11/03/2010	BY: ENDANRO	
MTL: -			

CD0006



NOTES:

1. THREE LEAD MOTOR MAY BE EITHER WYE CONNECTED OR DELTA CONNECTED.
2. INTERCHANGE ANY TWO LINE LEADS TO REVERSE ROTATION.
3. OPTIONAL THERMOSTATS ARE PROVIDED WHEN SPECIFIED.
4. ACTUAL NUMBER OF INTERNAL PARALLEL CIRCUITS MAY VARY.
5. LEAD COLORS ARE OPTIONAL. LEADS MUST BE NUMBERED AS SHOWN.

REV. DESC: REVISE TO SHOW OPTIONAL COLORS			
REV. LTR: D	BY: JLP	REVISED: 01/21/99 4:02	TDR: 0171435
9000D		FILE: AAA00005141	MDL: -
		MTL: -	

**BALDOR ELECTRIC Co.**

3PH, SV, 3 LEADS, WYE OR DELTA CONNECTED

CD0006