

BALDOR® • *RELIANCE*

Product Information Packet

ECP4406T-4

150HP, 1785RPM, 3PH, 60HZ, 445T, A4488M, TEFC

Copyright © All product information within this document is subject to Baldor Electric Company copyright © protection, unless otherwise noted.

Part Detail							
Revision:	D	Status:	PRD/A	Change #:		Proprietary:	No
Type:	AC	Prod. Type:	A4488M	Elec. Spec:	A44WG3335	CD Diagram:	
Enclosure:	TEFC	Mfg Plant:		Mech. Spec:		Layout:	
Frame:	445T	Mounting:	F1	Poles:	04	Created Date:	06-01-2011
Base:		Rotation:	R	Insulation:	F	Eff. Date:	06-18-2012
Leads:	3#1/0	Literature:		Elec. Diagram:		Replaced By:	

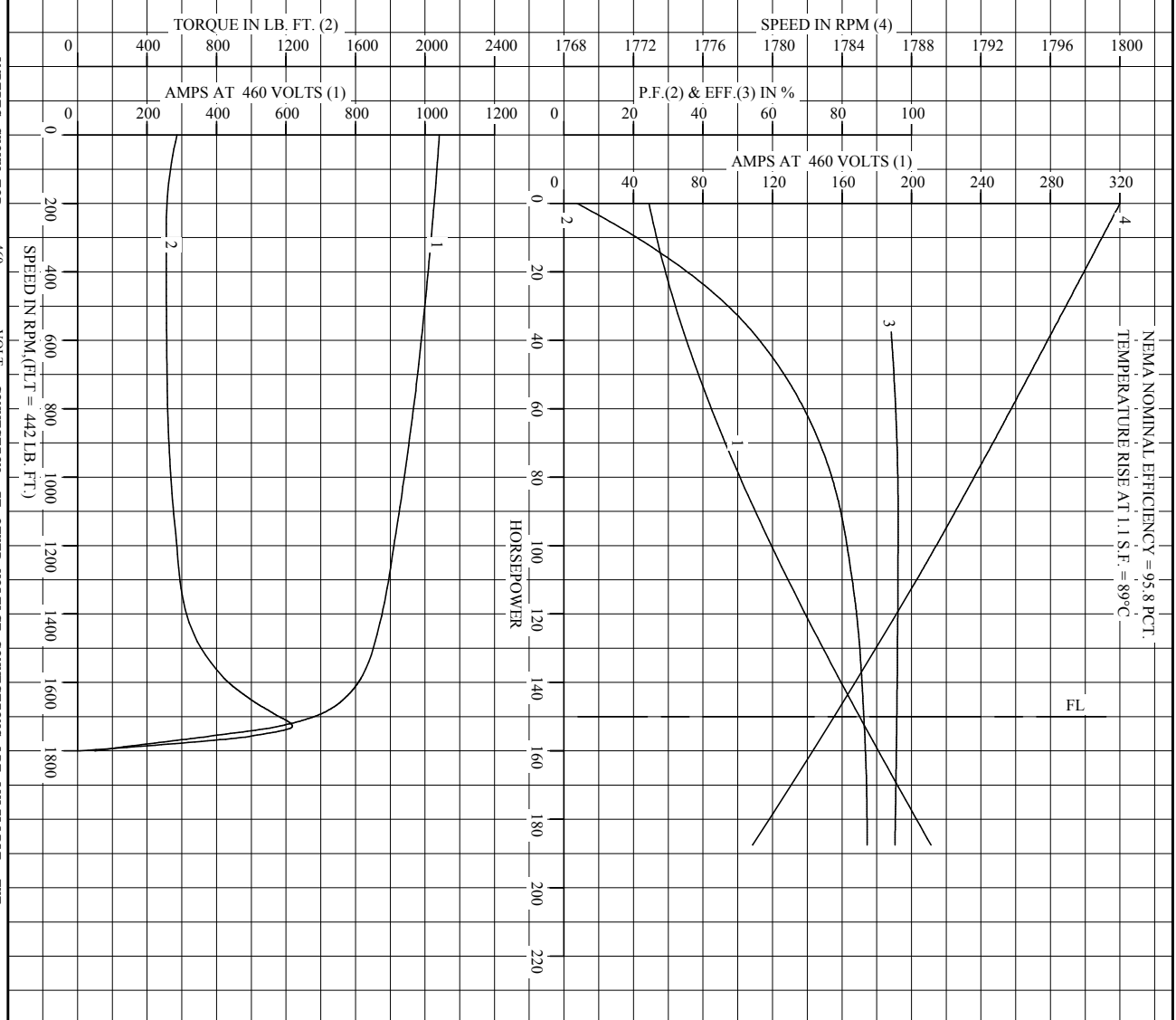
Nameplate 000613007EW									
CAT.NO.	ECP4406T-4	SPEC NO.	P44G5678						
HP	150	AMPS	169	VOLTS	460	DESIGN	B		
FRAME	445T	RPM	1785	HZ	60	AMB	40	SF	1.15
DRIVE END BEARING	90BC03J30X	PH	3	DUTY	CONT	INSUL.CLASS	F		
OPP D.E. BEARING	90BC03J30X	TYPE	P	ENCL	TEFC	CODE	F		
D.E.BRG.DATA	6318	POWER FACTOR	86	NEMA NOM EFFICIENCY	95.8				
O.D.E.BRG.DATA	6318	MAX CORR KVAR	30.0	GUARANTEED EFFICIENCY	95.0				
3/4 LOAD EFF.	96.1	NEMA NOM/CSA QUOTED EFF							
SER.NO.		MOTOR WEIGHT							

Parts List		
Part Number	Description	Quantity
SA227451	SA P44G5678	1.000 EA
RA214538	RA P44G5678	1.000 EA
421948051	LABEL, MYLAR	1.000 EA
613-6PU	N/P (RELEASE QTY 10,000)	1.000 EA
000692000VD	N/P (REL QTY 4000)	1.000 EA
000613007EW	N/P BALDOR	1.000 EA
089490099A	G28 BRKT 089490098WCA	1.000 EA
415072001B	CLAMP	1.000 EA
083199082RA	G28 FAN COVER W/BAFFLE ASSY 83199-82A	1.000 EA
034180014DA	KEY 1/4X1/4X1-3/4 L	1.000 EA
078548001R	FAN KB 234/150 (84) 400	1.000 EA
004824015A	GREASE POLYREX EM	1.160 LB
032018020FK	HHCS 3/4-10X2-1/2 PLTD.	4.000 EA
032018008CK	HHCS 3/8-16X1L PLATED	4.000 EA
032018030DK	HHCS 1/2-13X3-3/4 PLTD.	3.000 EA
415096002A	CPLG 1/8 HEX TYPE	1.000 EA
410700004A	WSHR	1.000 EA
034017014AB	LCKW 3/8 STD. PLATED	4.000 EA
034530072AB	P/NIP 1/8X9"L GALV.	1.000 EA
089490099A	G28 BRKT 089490098WCA	1.000 EA
032018020FK	HHCS 3/4-10X2-1/2 PLTD.	4.000 EA
032018030DK	HHCS 1/2-13X3-3/4 PLTD.	3.000 EA
076863000C	+CBCST BLKT - 440	1.000 EA
076864000A	CB CVRCST BLKT - 440	1.000 EA

Parts List (continued)		
Part Number	Description	Quantity
067053001C	GASK 440	1.000 EA
032018008DK	HHCS 1/2-13X1 PLATED	4.000 EA
415000003D	T/LUG 897-777 KPA25/G16	1.000 EA
406099000A	PLUG - FAN COVER 320-440	1.000 EA
033512006LB	HHTTS 1/4-20X3/4 PLTD.	1.000 EA
004824003AJD	WILKO 778.50 BLUE GREEN - 55 GAL DRUMS	0.250 GA
033775004EA	DRSCR #6-1/4 304 S.S.	2.000 EA
034180054KA	KEY 7/8X7/8X6-3/4 L	1.000 EA
034690005AB	PPLG 3/4 PLATED	2.000 EA
418151014G	RETAIN RING	1.000 EA
032018004BK	HHCS 5/16-18X1/2 PLATED	3.000 EA
415096002A	CPLG 1/8 HEX TYPE	1.000 EA
032018006BK	HHCS 5/16-18X3/4 PLATED	3.000 EA
702623013R	THERMAL BARRIER, G28	1.000 EA
034017013AB	LCKW 5/16 STD. PLATED	3.000 EA
034690002AB	PPLG 1/4" PLTD.	1.000 EA
034530072AB	P/NIP 1/8X9"L GALV.	1.000 EA
032130014DB	HSCHS1/2-13X1-3/4 PLATE	4.000 EA
415030115A	G28 C/BOX 415030114WCA	1.000 EA
034000016AB	WSHR .531ID 1.062OD .095	4.000 EA
032620016LA	SOCKET SET SCREW-449	3.000 EA
000692000FF	N/P (RELEASE QTY 1,000)	1.000 EA
034630002AB	CPLG 1/4" PLATED	1.000 EA
034530072BB	PIPE NIPPLE,DE - 440-BS	1.000 EA

Parts List (continued)		
Part Number	Description	Quantity
415045002A	SLGR	1.000 EA
412118006A	DRAIN	1.000 EA
034530072BB	PIPE NIPPLE,DE - 440-BS	1.000 EA
034690002AB	PPLG 1/4" PLTD.	1.000 EA
406056007A	TERBD 440	1.000 EA
032018008BK	HHCS 5/16-18X1L PLATED	4.000 EA
418150003A	GREASE FITTING CAP	1.000 EA
418150003A	GREASE FITTING CAP	1.000 EA
035000001A	ALFTG 1/8" 1610-BL	1.000 EA
415039027A	GASKET, G28 LEAD THROAT	2.000 EA
035000001A	ALFTG 1/8" 1610-BL	1.000 EA
412118006A	DRAIN	1.000 EA
415045002A	SLGR	1.000 EA
034690002AB	PPLG 1/4" PLTD.	1.000 EA
PK5004A09	BASE 48 X 39-1/4 STACK 2 X 4 RUUNER	1.000 EA

REL. S.O. _____ RPM 1785 S.F. 1.15 ROTOR 0
 FRAME 444/445 VOLTS 460 NEMA DESIGN - TEST S.O. CALCULATED DATA
 HP 150 AMPS 170 CODE LETTER F TEST DATE ---
 TYPE P DUTY CONT ENCLOSURE TEFC STATOR RES. @ 25 °C .0298
 PHASE/HERTZ 3/60 AMB °C/INSUL 40/F E/S 0 OHMS (BETWEEN LINES)



AMPERES SHOWN FOR 460 VOLT CONNECTION, IF OTHER VOLTAGE CONNECTIONS ARE AVAILABLE, THE AMPERES WILL VARY INVERSELY WITH THE RATED VOLTAGE.

BALDOR
 A MEMBER OF THE ABB GROUP

DR. BY _____ CD _____
 CK. BY _____ CD _____
 App. BY R. MCNEVERN
 DATE 1/18/11

A-C MOTOR PERFORMANCE CURVES
 A44W/G3335-R001
 ISSUE DATE 1/18/11

Printed on 10/19/12 13:15 @ ragsum

REL. S.O.	FRAME	HP	TYPE	PHASE/HERTZ	RPM	VOLTS
	444/445	150	P	3/60	1785	460
AMPS	DUTY	AMB °C/ INSUL.	S.F.	NEMA DESIGN	CODE LETTER	ENCL.
170	CONT	40/F	1.15	-	F	TEFC
E/S	ROTOR	TEST S.O.	TEST DATE	STATOR RES. @25 °C (OHMS (BETWEEN LINES))		
0	0	---	---	.0298		

PERFORMANCE

LOAD	HP	AMPERES	RPM	POWER FACTOR %	EFFICIENCY %
NO LOAD	0	48.9	1800	3.78	0
1/4	37.6	68.8	1796	54.3	94.2
2/4	75.0	97.0	1792	75.5	96.0
3/4	112	132	1788	83.3	96.1
4/4	150	170	1784	86.3	95.8
5/4	188	211	1779	87.3	95.2

SPEED TORQUE

	RPM	TORQUE % FULL LOAD	TORQUE LB.-FT.	AMPERES
LOCKED ROTOR	0	130	572	1041
PULL UP	270	116	511	1020
BREAKDOWN	1729	280	1237	579
FULL LOAD	1784	100	442	170

AMPERES SHOWN FOR 460. VOLT CONNECTION. IF OTHER VOLTAGE CONNECTIONS ARE AVAILABLE, THE AMPERES WILL VARY INVERSELY WITH THE RATED VOLTAGE

REMARKS: CALCULATED DATA
NEMA NOMINAL EFFICIENCY = 95.8 PCT.
TEMPERATURE RISE AT 1.1 S.F. = 89°C

<p>BALDOR A MEMBER OF THE ABB GROUP</p>	DR. BY	CD	<p>A-C MOTOR PERFORMANCE DATA A44WG3335-R001 ISSUE DATE 1/18/11</p>
	CHK. BY	CD	
	APP. BY	R. MCILVERN	
	DATE	1/18/11	

617423-072

DUTY MASTER ALTERNATING CURRENT MOTORS

SQUIRREL-CAGE INDUCTION

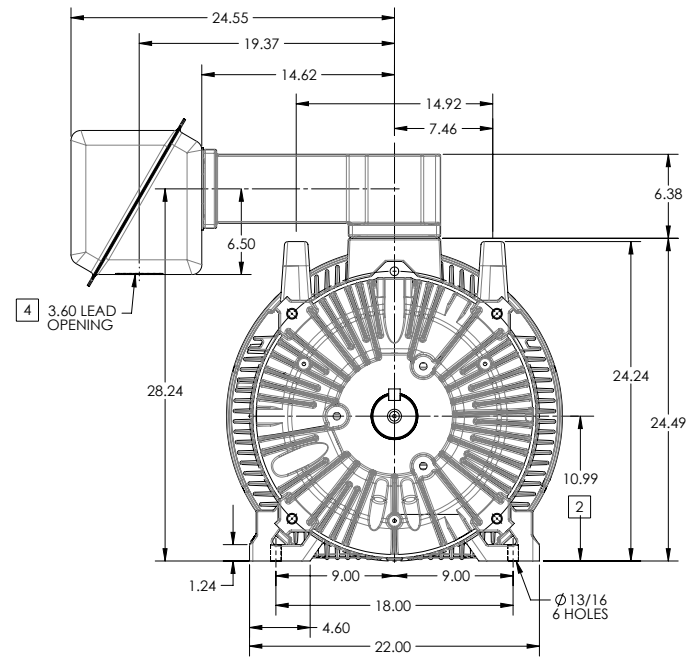
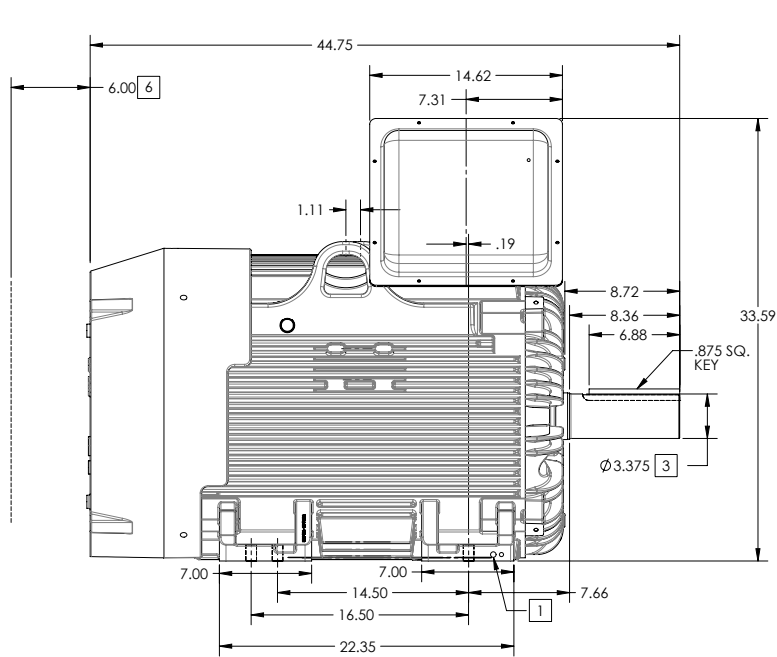
ENCLOSURE: TOTALLY ENCLOSED

FRAME G445T ABOVE NEMA RATINGS

COOLING: FAN COOLED

MOUNTING: FOOT

INCLUDES 444T FRAME MOUNTING HOLES



1. GROUND HOLES QTY 1 1/2-13 TAP; QTY 1 3/8-16 TAP
2. VARIES +.00,-.06
3. VARIES +.00,-.001
4. ON STANDARD MOTORS THIS IS CONDUIT SIZE. ON XT AND CORROSION PROOF MOTOR THIS IS PIPE TAP.
5. MOTOR WEIGHTS MAY VARY BY 1.5% DEPENDING ON RATING.
6. OBSTRUCTION MUST NO ENCROACH ON AIR INLET

CONDUIT BOX LOCATED ON OPPOSITE SIDE WHEN F-2. IF MOUNTING CLEARANCE DETAILS ARE REQUIRED, CONSULT FACTORY. MAXIMUM PERMISSIBLE SHAFT RUNOUT WHEN MEASURED AT END OF STANDARD SHAFT EXTENSION IS .003" T.I.R. TO 5 INCH DIA.

WEIGHT (LBS): 2200

DIMENSIONS ARE IN INCHES; SEE SHEET 2 FOR DIMENSIONS IN MILLIMETERS

CUSTOMER IS RESPONSIBLE FOR DETERMINING THAT MOTOR PERFORMANCE IS SUITABLE IN THE APPLICATION.

SHEET NUMBER
1 OF 2

ZLW-2372719

REV. DESC: .875 KEY WAS .625	REVISED: 09-25-47 12/06/2011	TDR: 00000724257
REV: A	VERSION: 01	REF:
MODEL NO. 617423-072	BY: MGH/TL	Material:

BALDOR

DIM SHIT, G445T, G444T W/OUT AIR DEFLECTOR, STD STEEL C-BOX

617423-072

617423-072

DUTY MASTER ALTERNATING CURRENT MOTORS

SQUIRREL-CAGE INDUCTION

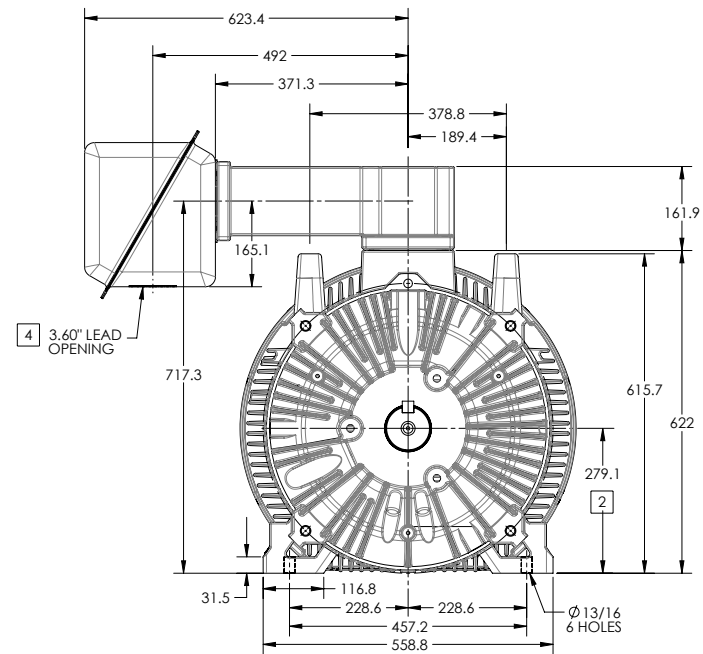
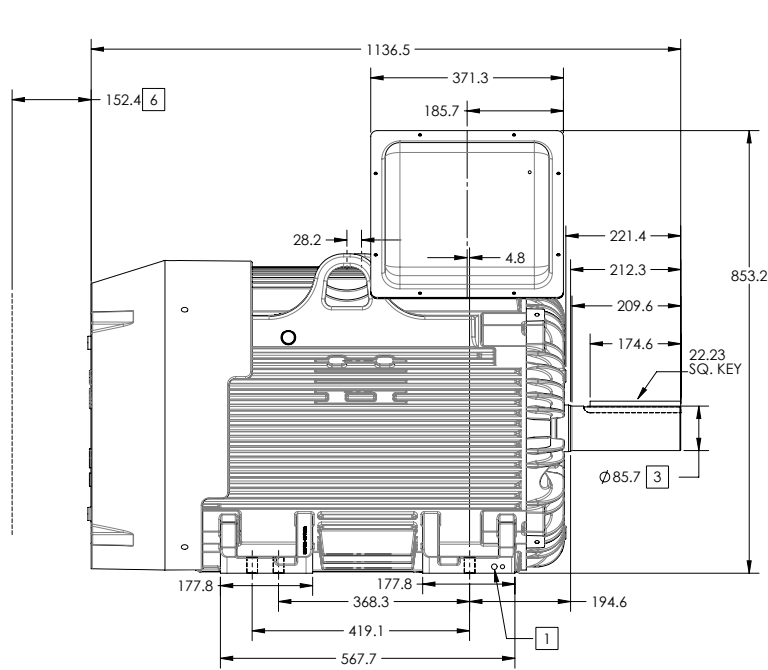
ENCLOSURE: TOTALLY ENCLOSED

FRAME G445T ABOVE NEMA RATINGS

COOLING: FAN COOLED

MOUNTING: FOOT

INCLUDES 444T FRAME MOUNTING HOLES



- 1. GROUND HOLES QTY 1 1/2-13 TAP; QTY 1 3/8-16 TAP
- 2. VARIES +.00,-.06
- 3. VARIES +.00,-.001
- 4. ON STANDARD MOTORS THIS IS CONDUIT SIZE. ON XT AND CORROSION PROOF MOTOR THIS IS PIPE TAP.
- 5. MOTOR WEIGHTS MAY VARY BY 15% DEPENDING ON RATING.
- 6. OBSTRUCTION MUST NO ENCROACH ON AIR INLET

CONDUIT BOX LOCATED ON OPPOSITE SIDE WHEN F-2. IF MOUNTING CLEARANCE DETAILS ARE REQUIRED, CONSULT FACTORY. MAXIMUM PERMISSIBLE SHAFT RUNOUT WHEN MEASURED AT END OF STANDARD SHAFT EXTENSION IS .038 MM T.I.R. FOR BALL BEARING MOTORS AND .051 MM T.I.R. FOR ROLLER BEARING MOTORS TO 127 MM DIA.

WEIGHT (KGS): 1000

DIMENSIONS ARE IN MILLIMETERS; SEE SHEET 1 FOR DIMENSIONS IN INCHES

CUSTOMER IS RESPONSIBLE FOR DETERMINING THAT MOTOR PERFORMANCE IS SUITABLE IN THE APPLICATION.

SHEET NUMBER
2 OF 2

ZL0P-EC2P119

REV. DESC: 875 KEY WAS 625	TDR: 00000724257
REV: A VERSION: 01	REVISED: 09-25-07 12:06:2011
MODEL NO. 617423-072	REF:
BY: MGH/TL	Material:

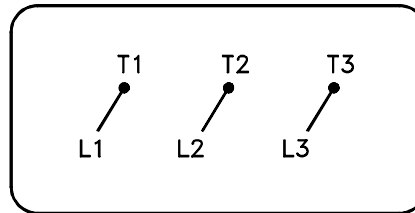
BALDOR

DIM SHIT,G445T,G444T W/OUT AIR DEFLECTOR, STD STEEL C-BOX

617423-072

416820-036

A-C MOTOR
 CONNECTION DIAGRAM
 STANDARD 3 LEAD CONNECTED



(N.P. 1575-BA)

416820-036

REV. DESC: LOADED TO BUS, C/R 335225		
REV. LTR: -	VERSION: 00	TDR: 000000538207
FILE: \MGA\00000\682	REVISED: 11:54:06 04/30/2010	
MTL: -	BY: RAGRA	

BALDOR

CONN DIAG - STANDARD 3 LEAD

SH 1 of 1