

BALDOR® • *RELIANCE*

Product Information Packet

ECP4410T-4

125HP, 1785RPM, 3PH, 60HZ, 444T, A44076M, TEFC

Copyright © All product information within this document is subject to Baldor Electric Company copyright © protection, unless otherwise noted.

Part Detail							
Revision:	F	Status:	PRD/A	Change #:		Proprietary:	No
Type:	AC	Prod. Type:	A44076M	Elec. Spec:	A44WG3870	CD Diagram:	
Enclosure:	TEFC	Mfg Plant:		Mech. Spec:		Layout:	
Frame:	444T	Mounting:	F1	Poles:	04	Created Date:	07-07-2011
Base:		Rotation:	R	Insulation:	F	Eff. Date:	06-22-2012
Leads:	3#1/0	Literature:		Elec. Diagram:		Replaced By:	

Nameplate 000613007EW

CAT.NO.	ECP4410T-4	SPEC NO.	P44G5676				
HP	125	AMPS	144	VOLTS	460	DESIGN	B
FRAME	444T	RPM	1785	HZ	60	AMB	40 SF 1.15
DRIVE END BEARING	90BC03J30X	PH	3	DUTY	CONT	INSUL.CLASS	F
OPP D.E. BEARING	90BC03J30X	TYPE	P	ENCL	TEFC	CODE	G
D.E.BRG.DATA	6318	POWER FACTOR	85	NEMA NOM EFFICIENCY	95.4		
O.D.E.BRG.DATA	6318	MAX CORR KVAR	27.0	GUARANTEED EFFICIENCY	94.5		
3/4 LOAD EFF.	95.8	NEMA NOM/CSA QUOTED EFF					
SER.NO.		MOTOR WEIGHT					

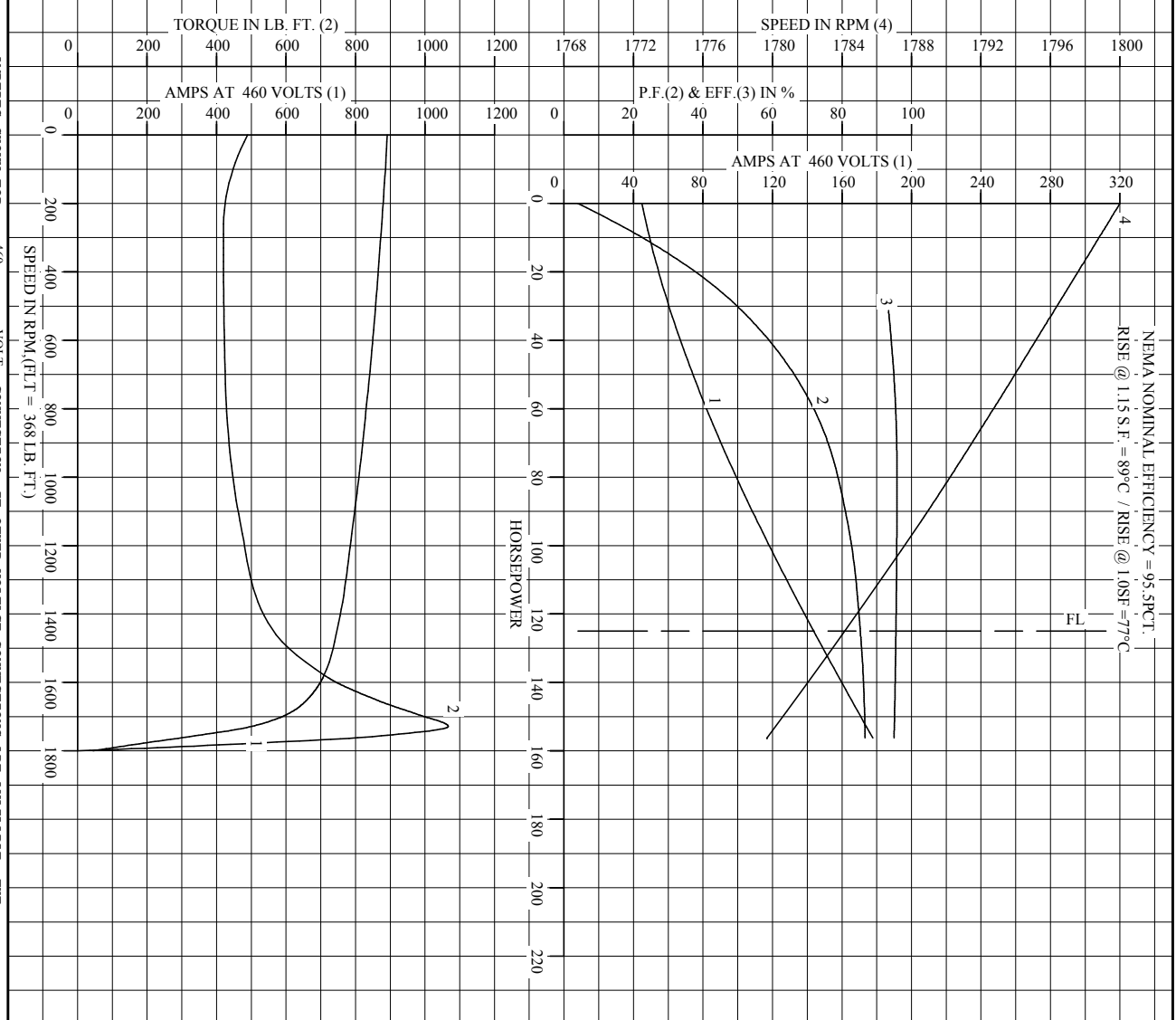
Parts List		
Part Number	Description	Quantity
SA227455	SA P44G5676	1.000 EA
RA214542	RA P44G5676	1.000 EA
421948051	LABEL, MYLAR	1.000 EA
613-6PU	N/P (RELEASE QTY 10,000)	1.000 EA
000692000VD	N/P (REL QTY 4000)	1.000 EA
000613007EW	N/P BALDOR	1.000 EA
089490099A	G28 BRKT 089490098WCA	1.000 EA
415072001B	CLAMP	1.000 EA
083199082RA	G28 FAN COVER W/BAFFLE ASSY 83199-82A	1.000 EA
034180014DA	KEY 1/4X1/4X1-3/4 L	1.000 EA
078548001R	FAN KB 234/150 (84) 400	1.000 EA
004824015A	GREASE POLYREX EM	1.160 LB
032018020FK	HHCS 3/4-10X2-1/2 PLTD.	4.000 EA
032018008CK	HHCS 3/8-16X1L PLATED	4.000 EA
032018030DK	HHCS 1/2-13X3-3/4 PLTD.	3.000 EA
415096002A	CPLG 1/8 HEX TYPE	1.000 EA
410700004A	WSHR	1.000 EA
034017014AB	LCKW 3/8 STD. PLATED	4.000 EA
034530072AB	P/NIP 1/8X9"L GALV.	1.000 EA
089490099A	G28 BRKT 089490098WCA	1.000 EA
032018020FK	HHCS 3/4-10X2-1/2 PLTD.	4.000 EA
032018030DK	HHCS 1/2-13X3-3/4 PLTD.	3.000 EA
076863000C	+CBCST BLKT - 440	1.000 EA
076864000A	CB CVRCST BLKT - 440	1.000 EA

Parts List (continued)		
Part Number	Description	Quantity
067053001C	GASK 440	1.000 EA
032018008DK	HHCS 1/2-13X1 PLATED	4.000 EA
415000003D	T/LUG 897-777 KPA25/G16	1.000 EA
406099000A	PLUG - FAN COVER 320-440	1.000 EA
033512006LB	HHTTS 1/4-20X3/4 PLTD.	1.000 EA
004824003AJD	WILKO 778.50 BLUE GREEN - 55 GAL DRUMS	0.250 GA
033775004EA	DRSCR #6-1/4 304 S.S.	2.000 EA
034180054KA	KEY 7/8X7/8X6-3/4 L	1.000 EA
034690005AB	PPLG 3/4 PLATED	2.000 EA
418151014G	RETAIN RING	1.000 EA
032018004BK	HHCS 5/16-18X1/2 PLATED	3.000 EA
415096002A	CPLG 1/8 HEX TYPE	1.000 EA
032018006BK	HHCS 5/16-18X3/4 PLATED	3.000 EA
702623013R	THERMAL BARRIER, G28	1.000 EA
034017013AB	LCKW 5/16 STD. PLATED	3.000 EA
034690002AB	PPLG 1/4" PLTD.	1.000 EA
034530072AB	P/NIP 1/8X9"L GALV.	1.000 EA
032130014DB	HSCHS1/2-13X1-3/4 PLATE	4.000 EA
415030115A	G28 C/BOX 415030114WCA	1.000 EA
034000016AB	WSHR .531ID 1.062OD .095	4.000 EA
032620016LA	SOCKET SET SCREW-449	3.000 EA
000692000FF	N/P (RELEASE QTY 1,000)	1.000 EA
034630002AB	CPLG 1/4" PLATED	1.000 EA
034530072BB	PIPE NIPPLE,DE - 440-BS	1.000 EA

Parts List (continued)		
Part Number	Description	Quantity
PK5004A09	BASE 48 X 39-1/4 STACK 2 X 4 RUUNER	1.000 EA
415045002A	SLGR	1.000 EA
412118006A	DRAIN	1.000 EA
034530072BB	PIPE NIPPLE,DE - 440-BS	1.000 EA
034690002AB	PPLG 1/4" PLTD.	1.000 EA
406056007A	TERBD 440	1.000 EA
032018008BK	HHCS 5/16-18X1L PLATED	4.000 EA
418150003A	GREASE FITTING CAP	1.000 EA
418150003A	GREASE FITTING CAP	1.000 EA
035000001A	ALFTG 1/8" 1610-BL	1.000 EA
415039027A	GASKET, G28 LEAD THROAT	2.000 EA
035000001A	ALFTG 1/8" 1610-BL	1.000 EA
412118006A	DRAIN	1.000 EA
415045002A	SLGR	1.000 EA
034690002AB	PPLG 1/4" PLTD.	1.000 EA

Accessories		
Part Number	Description	Multiplier
K44G50	C FACE KIT 444/445T TEFC,XT 4&6P	A8

REL. S.O. _____ RPM 1785 S.F. 1.15 ROTOR 0
 FRAME 444/445 VOLTS 460 NEMA DESIGN - TEST S.O. CALCULATED DATA
 HP 125 AMPS 144 CODE LETTER G TEST DATE ---
 TYPE P DUTY CONT ENCLOSURE TEFC STATOR RES. @ 25 °C .0383
 PHASE/HERTZ 3/60 AMB °C/INSUL 40/F E/S 0 OHMS (BETWEEN LINES)



AMPERES SHOWN FOR 460 VOLT CONNECTION, IF OTHER VOLTAGE CONNECTIONS ARE AVAILABLE, THE AMPERES WILL VARY INVERSELY WITH THE RATED VOLTAGE.

BALDOR
 A MEMBER OF THE ABB GROUP

DR. BY _____ CD _____
 CK. BY _____ CD _____
 App. BY R. MCELVEEN
 DATE 1/18/11

A-C MOTOR PERFORMANCE CURVES
 A44WG3870-R001
 ISSUE DATE 1/18/11

Printed on 9/24/12 15:53 @ ragsun

REL. S.O.	FRAME	HP	TYPE	PHASE/ HERTZ	RPM	VOLTS
	444/445	125	P	3/60	1785	460
AMPS	DUTY	AMB °C/ INSUL.	S.F.	NEMA DESIGN	CODE LETTER	ENCL.
144	CONT	40/F	1.15	-	G	TEFC
E/S	ROTOR	TEST S.O.	TEST DATE	STATOR RES. @25 °C OHMS (BETWEEN LINES)		
0	0	---	---	.0383		

PERFORMANCE


LOAD	HP	AMPERES	RPM	POWER FACTOR %	EFFICIENCY %
NO LOAD	0	44.8	1800	3.97	0
1/4	31.3	61.3	1796	51.1	93.4
2/4	62.5	83.8	1792	73.0	95.5
3/4	93.7	112	1788	81.7	95.8
4/4	125	144	1784	85.3	95.5
5/4	156	178	1780	86.6	95.0

SPEED TORQUE

	RPM	TORQUE % FULL LOAD	TORQUE LB.-FT.	AMPERES
LOCKED ROTOR	0	133	489	892
PULL UP	270	114	420	875
BREAKDOWN	1729	290	1067	500
FULL LOAD	1784	100	368	144

AMPERES SHOWN FOR 460. VOLT CONNECTION. IF OTHER VOLTAGE CONNECTIONS ARE AVAILABLE, THE AMPERES WILL VARY INVERSELY WITH THE RATED VOLTAGE

REMARKS: CALCULATED DATA
NEMA NOMINAL EFFICIENCY = 95.5PCT.
RISE @ 1.15 S.F. = 89°C / RISE @ 1.0SF =77°C

 A MEMBER OF THE ABB GROUP	DR. BY CD	A-C MOTOR
	CK. BY CD	PERFORMANCE DATA
APP. BY R. MCILVERN	DATE 1/18/11	A44WG3870-R001
		ISSUE DATE 1/18/11

DUTY MASTER ALTERNATING CURRENT MOTORS

SQUIRREL-CAGE INDUCTION

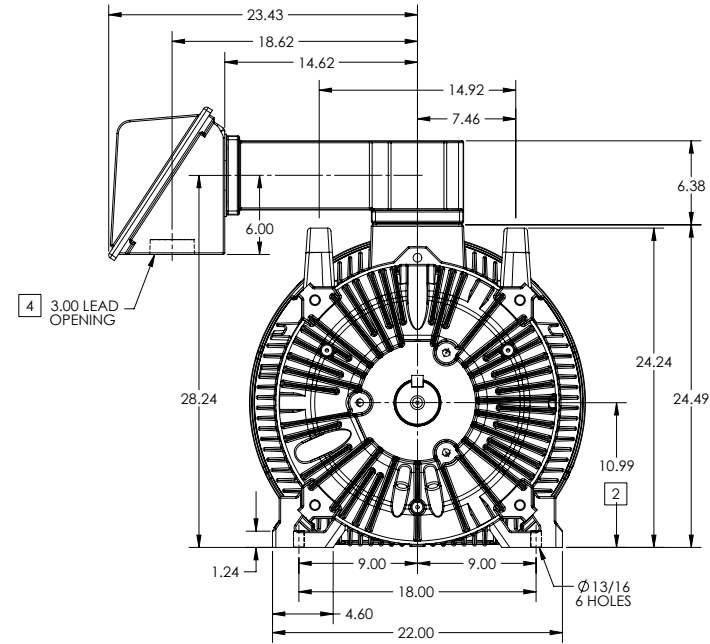
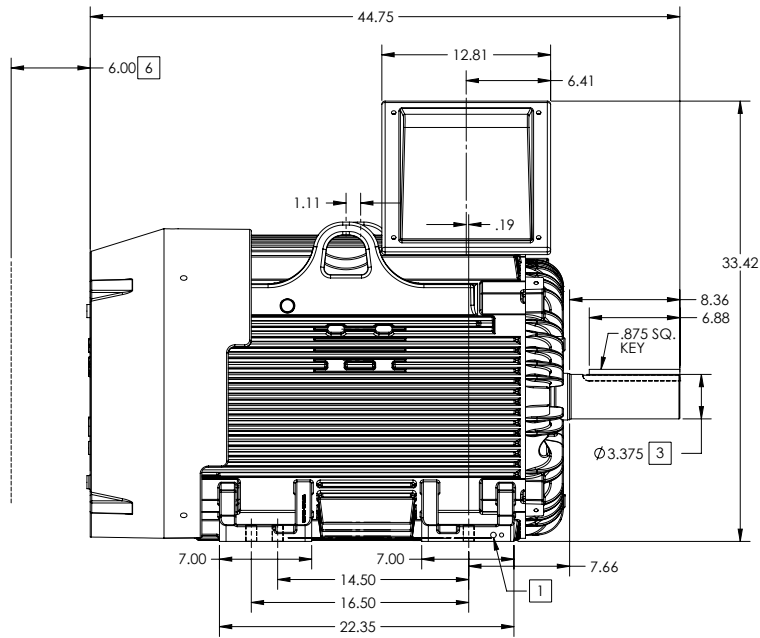
ENCLOSURE: TOTALLY ENCLOSED

FRAME G445T ABOVE NEMA RATINGS

COOLING: FAN COOLED

MOUNTING: FOOT

INCLUDES 444T FRAME MOUNTING HOLES



1. GROUND HOLES QTY 1 1/2-13 TAP; QTY 1 3/8-16 TAP
2. VARIES +.00,-.06
3. VARIES +.00,-.001
4. ON STANDARD MOTORS THIS IS CONDUIT SIZE. ON XT AND CORROSION PROOF MOTOR THIS IS PIPE TAP.
5. MOTOR WEIGHTS MAY VARY BY 15% DEPENDING ON RATING.
6. OBSTRUCTION MUST NO ENCROACH ON AIR INLET

CONDUIT BOX LOCATED ON OPPOSITE SIDE WHEN F-2. IF MOUNTING CLEARANCE DETAILS ARE REQUIRED, CONSULT FACTORY. MAXIMUM PERMISSIBLE SHAFT RUNOUT WHEN MEASURED AT END OF STANDARD SHAFT EXTENSION IS .003" T.I.R. TO 5 INCH DIA.

WEIGHT (LBS): 2200

DRIVE END AIR DEFLECTOR IS ONLY INCLUDED WHEN NECESSARY.

DIMENSIONS ARE IN INCHES; SEE SHEET 2 FOR DIMENSIONS IN MILLIMETERS

CUSTOMER IS RESPONSIBLE FOR DETERMINING THAT MOTOR PERFORMANCE IS SUITABLE IN THE APPLICATION.

TOP 2
617423-067

REV. DESC INITIAL RELEASE			
REV. -	VERSION: 00	REVISED: 09-19-03 05:13:2011	TDR: 00000594808
MODEL NO. 617423-067		REF:	
BY: MGHTLC	Material:	C	

BALDOR

DIM SHEET G445TG444T, STD C-BOX 076863-000C

617423-067

617423-067

DUTY MASTER ALTERNATING CURRENT MOTORS

SQUIRREL-CAGE INDUCTION

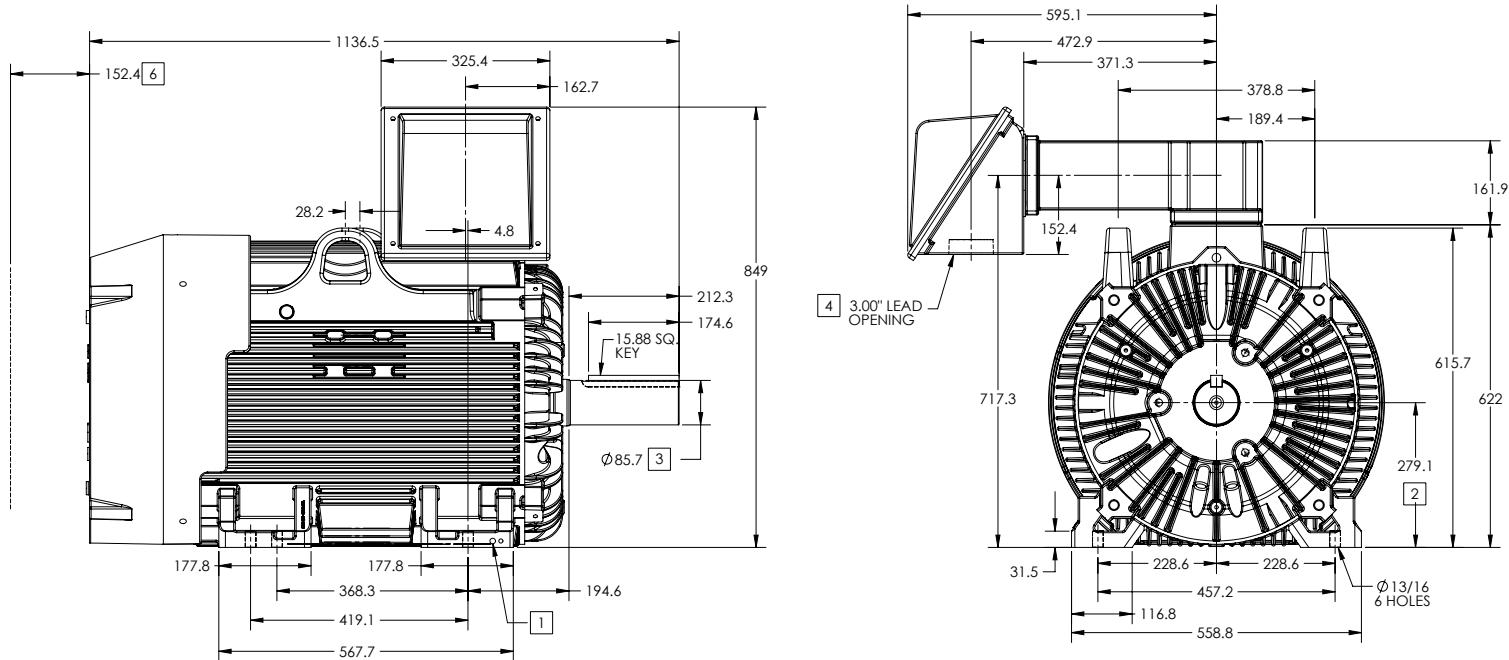
ENCLOSURE: TOTALLY ENCLOSED

FRAME G445T ABOVE NEMA RATINGS

COOLING: FAN COOLED

MOUNTING: FOOT

INCLUDES 444T FRAME MOUNTING HOLES



1. GROUND HOLES QTY 1 1/2-13 TAP; QTY 1 3/8-16 TAP
2. VARIES +.00,-.06
3. VARIES +.00,-.001
4. ON STANDARD MOTORS THIS IS CONDUIT SIZE. ON XT AND CORROSION PROOF MOTOR THIS IS PIPE TAP.
5. MOTOR WEIGHTS MAY VARY BY 15% DEPENDING ON RATING.
6. OBSTRUCTION MUST NO ENCROACH ON AIR INLET

CONDUIT BOX LOCATED ON OPPOSITE SIDE WHEN F-2.
IF MOUNTING CLEARANCE DETAILS ARE REQUIRED, CONSULT FACTORY.
MAXIMUM PERMISSIBLE SHAFT RUNOUT WHEN MEASURED AT END OF STANDARD SHAFT EXTENSION IS .08 MM T.I.R. TO 127 MM DIA.

WEIGHT (KGS): 1000

DRIVE END AIR DEFLECTOR IS ONLY INCLUDED WHEN NECESSARY.

DIMENSIONS ARE IN MILLIMETERS; SEE SHEET 1 FOR DIMENSIONS IN INCHES

CUSTOMER IS RESPONSIBLE FOR DETERMINING THAT MOTOR PERFORMANCE IS SUITABLE IN THE APPLICATION.

2 OF 2
17423-19

REV. DESC INITIAL RELEASE			
REV: -	VERSION: 00	REVISED: 09-19-03 05/13/2011	TDR: 00000594808
MODEL NO. 617423-067		REF:	
BY: MGHTLC	Material:	C	

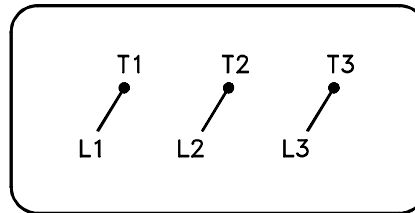
BALDOR

DIM SHEET G445TG444T, STD C-BOX 076863-000C

617423-067

416820-036

A-C MOTOR
 CONNECTION DIAGRAM
 STANDARD 3 LEAD CONNECTED



(N.P. 1575-BA)

416820-036

REV. DESC: LOADED TO BUS, C/R 335225		
REV. LTR: -	VERSION: 00	TDR: 000000538207
FILE: \MGA\00000\682	REVISED: 11:54:06 04/30/2010	
MTL: -	BY: RAGRA	

BALDOR

CONN DIAG - STANDARD 3 LEAD

SH 1 of 1