

# **BALDOR**® • *RELIANCE*

## **Product Information Packet**

# **ECP64103TR-4**

**25HP, 1770RPM, 3PH, 60HZ, 284T, TEFC, FOOT,**

Copyright © All product information within this document is subject to Baldor Electric Company copyright © protection, unless otherwise noted.

Part Detail							
Revision:	M	Status:	PRD/A	Change #:		Proprietary:	No
Type:	AC	Prod. Type:	1050M	Elec. Spec:	10WGW725	CD Diagram:	
Enclosure:	TEFC	Mfg Plant:		Mech. Spec:	10G808	Layout:	
Frame:	284T	Mounting:	F1	Poles:	04	Created Date:	02-11-2010
Base:	RG	Rotation:	R	Insulation:	F	Eff. Date:	05-14-2012
Leads:	3#10	Literature:		Elec. Diagram:		Replaced By:	

Nameplate NP2192							
STK.NO.	ECP64103TR-4	P/N		ENCLOSURE	TEFC		
SPEC.	10G808W725G1	CC	010A	FRAME	284T	S/N	
HP	25	CLASS	F	HZ	60		
RPM	1780	T. CODE	T3	PH	3	DES	B
VOLT	460	KVA-CODE	G	ODE BRG	6311	DE BRG	NU311
AMP	30.5	MOTOR WEIGHT	420				
RATING	40C AMB-CONT	MAX. KVAR	7.4	GREASE	MOBILITH SHC220		
NEMA-NOM-EFF	93.6	# OF ROTOR BARS	40	SER.F.	1.15		
G.MIN.EFF	92.4	# OF STATOR SLOTS	48	PF	82		
HTR-VOLTS		HTR-AMPS		MAX. SPACE HEATER TEMP.			

Parts List		
Part Number	Description	Quantity
SA191928	SA 10G808W725G1	1.000 EA
RA179583	RA 10G808W725G1	1.000 EA
LB1304	LABEL "INVERTER READY"	1.000 EA
10CB1000A09P	CONDUIT BOX, MACH W/EPOXY PRIMER	1.000 EA
09GS1010	GASKET, DWG, LEADWIRE SEPERATOR	1.000 EA
10XN3118K16	5/16-18 X 1" GRADE #5, STL, ZINC PLATE	4.000 EA
HW1001A31	LOCKWASHER 5/16, ZINC PLT.591 OD, .319 I	4.000 EA
WD1000B16	KPA-4C BURNDY TERMINAL	1.000 EA
10XN2520K06	1/4-20 X 3/8" HX HD SCREWGRADE 5, ZINC P	1.000 EA
WD1000B16	KPA-4C BURNDY TERMINAL	1.000 EA
10XN2520K06	1/4-20 X 3/8" HX HD SCREWGRADE 5, ZINC P	1.000 EA
HW1001A25	LOCKWASHER 1/4, ZINC PLT .493 OD, .255 I	1.000 EA
HW4500A20	1/8NPT SL PIPE PLUG	1.000 EA
10XN3816K28	3/8-16 X 1.75 HEX HD CAP SCREW, GRADE 5	4.000 EA
HW1001A38	LOCKWASHER 3/8, ZINC PLT .688 OD, .382 I	4.000 EA
HW1001A38	LOCKWASHER 3/8, ZINC PLT .688 OD, .382 I	4.000 EA
HA4017A02	.125X2.50 GREASER EXTENS.F/S	1.000 EA
HA4017A10	1/8X1.25 GREASE EXT (F/S)	1.000 EA
HA4024A02	1/8 DOUBLE FEMALE SS CPLG, MCM #4464K351	1.000 EA
HA4002A01	DRAIN PLUG STAINLESS STL	1.000 EA
HW4601A53	INPRO/SEAL VBXX FOR 311 BEARING/310 FRAM	1.000 EA
10XN3118K40	5/16-18 X 2.50" HEX HD, GRADE 5	4.000 EA
10EP1110A01P	MACH'D EPOXY PRIMED EP	1.000 EA
HW4500A20	1/8NPT SL PIPE PLUG	1.000 EA

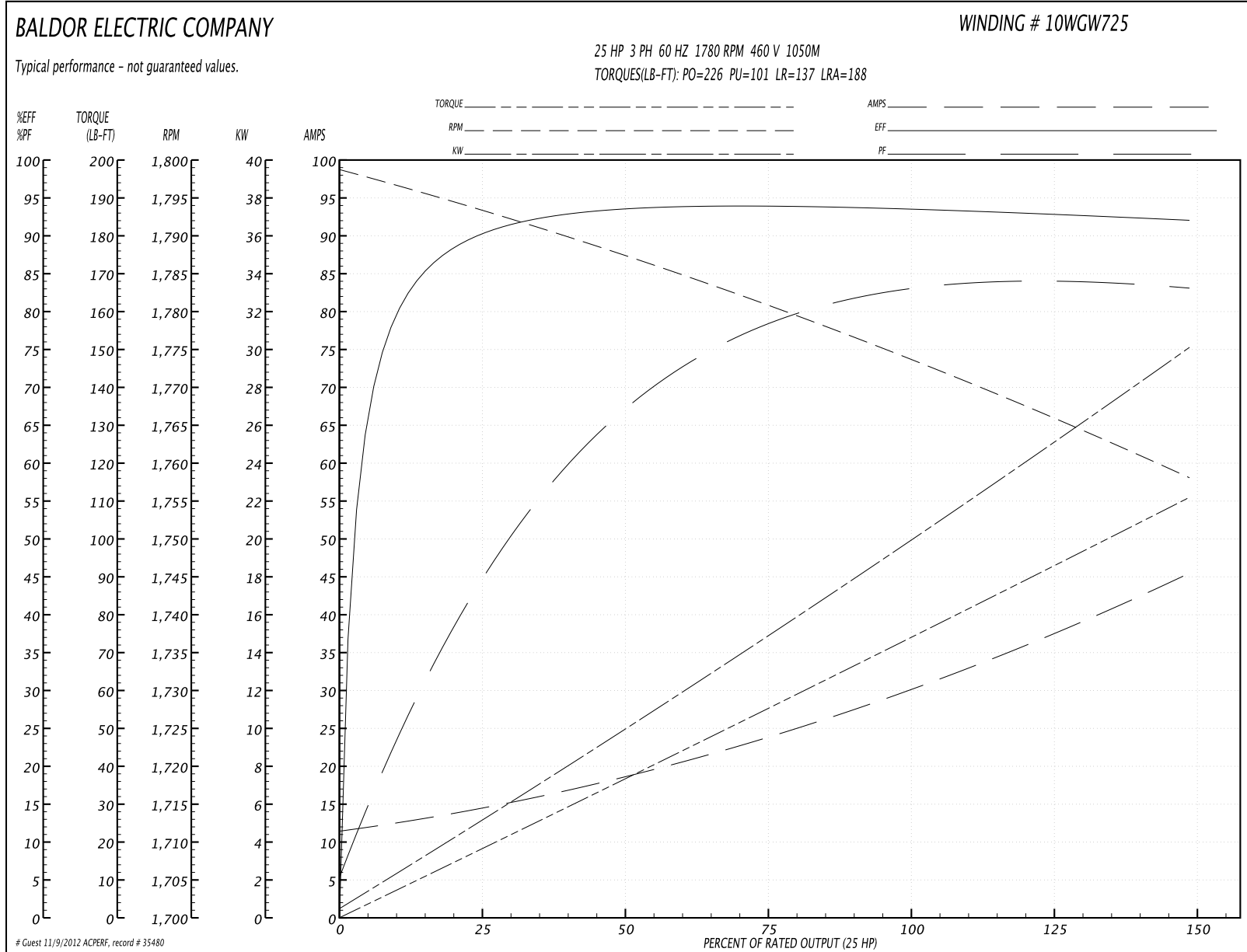
Parts List (continued)		
Part Number	Description	Quantity
10XN3816K28	3/8-16 X 1.75 HEX HD CAP SCREW, GRADE 5	4.000 EA
HA4002A01	DRAIN PLUG STAINLESS STL	1.000 EA
HW4601A53	INPRO/SEAL VBXX FOR 311 BEARING/310 FRAM	1.000 EA
10XN3118K40	5/16-18 X 2.50" HEX HD, GRADE 5	4.000 EA
10FH1007A24P	FAN COVER, MACH W/EPOXY PRIMER	1.000 EA
10XN3118K16	5/16-18 X 1" GRADE #5, STL, ZINC PLATE	3.000 EA
HW1001A31	LOCKWASHER 5/16, ZINC PLT.591 OD, .319 I	3.000 EA
10CB1503A01P	CONDUIT BOX LIPPED LID, MACH W/EPXY PRMR	1.000 EA
14GS1003	GASKET CONDUIT BOX LID, NEOP	1.000 EA
10XN2520K16	1/4-20 X 1" HX HD SCRW GRADE 5, ZINC P	4.000 EA
HW1001A25	LOCKWASHER 1/4, ZINC PLT .493 OD, .255 I	4.000 EA
MJ5004A59	ADHESIVE LOCTITE #401 SURFACE INSENSITIV	0.010 EA
HW2501H28	KEY, 1/2 SQ X 3.250	1.000 EA
MJ5001A01	46-665 RED SEALER	0.031 QT
MJ5001A14	DYNAPRO SEAL, CP MOTORS VC#2508050 (603	0.026 EA
LB1115	LABEL,LIFTING DEVICE	1.000 EA
LB5040	INSTRUCTION TAG, AC & DC	1.000 EA
LB1002	LABEL,MARINE DUTY (ON ROLLS)	1.000 EA
WD1000B49	TERMINAL BURNDY YAV10-T4	3.000 EA
10EP1110A20GP6	FR ENDPLATE, MACH W/PRIMER & MG1025N19	1.000 EA
HW4500A21	1618BALEMITE FITTING 825 UNIVERSAL	1.000 EA
HW4500A17	317400 ALEMITE GREASE RELIEF	1.000 EA
HA4051A00	PLASTIC CAP FOR GREASE FITTING	1.000 EA
MJ1000A62	GREASE - MOBILITH SHC220, HC9455	0.130 LB

Parts List (continued)		
Part Number	Description	Quantity
HA4051A00	PLASTIC CAP FOR GREASE FITTING	1.000 EA
HW4500A03	GREASE FITTING, .125 NPT 1610(ALEMITE) 8	1.000 EA
HW4500A17	317400 ALEMITE GREASE RELIEF	1.000 EA
09FN3001C02	EXTERNAL FAN, PLASTIC	1.000 EA
HW2500A25	WOODRUFF KEY USA #1008 #BLOW CARBON STEE	1.000 EA
51XB1214A20	12-14X1.25 HXWSSLD SERTYB	1.000 EA
MG1025N19	PAINT, 778.50 WILKO, RELIANCE ELEC GREEN	0.070 GA
85XU0407S04	4X1/4 U DRIVE PIN STAINLESS	4.000 EA
LB1449	DIV-2/NEC WARNING LABEL	1.000 EA
LB1119	WARNING LABEL	1.000 EA
LB1125C02	SUPER-E (STOCK CTN LABEL SUPER-E WITH FL	4.000 EA
LB1357	ENERGY GUIDE LABEL (BOX LABEL)	1.000 SH
LC0006	CONNECTION LABEL	1.000 EA
NP2192	NP BALDOR IEEE-661 CP8 (COLUMBUS 300 SER	1.000 EA
12PA1000	PACKAGING GROUP COMBINED PRINT PK1024A06	1.000 EA
10PA1076	PKGPSHAFT TENSION 2X4 5-1/4LEG 4-3/4OPEN	1.000 EA
10XN3816K48	3/8-16 X 3 HEX HD CAP SCREW,Z/P	1.000 EA
HW1000A38	WASHER, 3/8" FLAT, SAE Z/P	1.000 EA

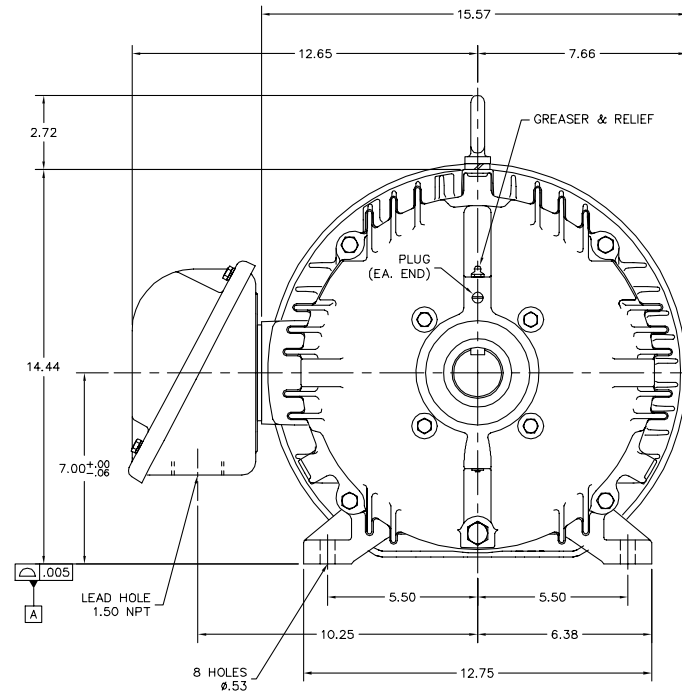
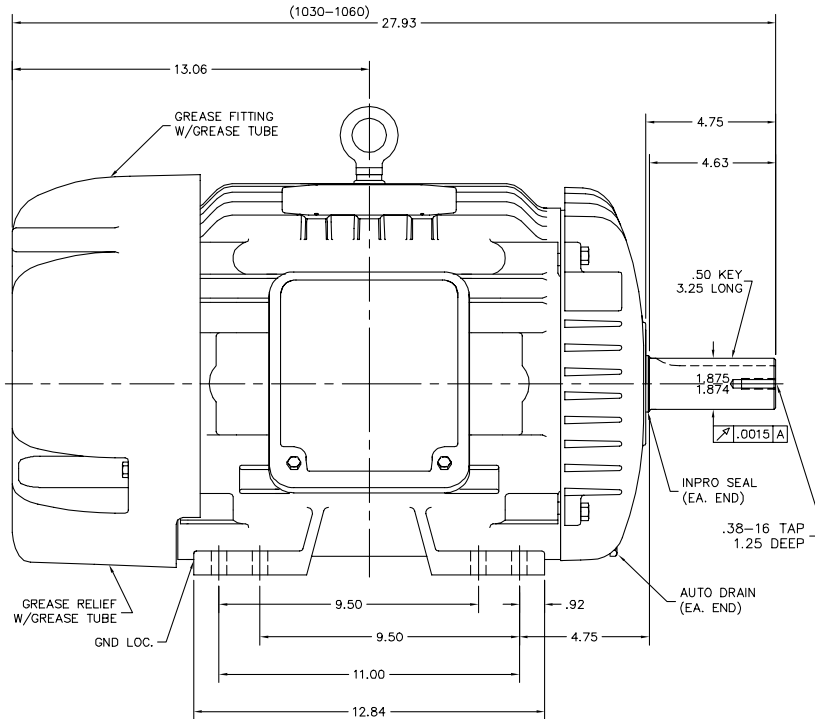
**Performance Data at 460V, 60Hz, 25.0HP (Typical performance - Not guaranteed values)**

General Characteristics							
Full Load Torque:	74.0 LB-FT			Start Configuration:	DOL		
No-Load Current:	11.9 Amps			Break-Down Torque:	226.0 LB-FT		
Line-line Res. @ 25°C.:	0.286 Ohms A Ph / 0.0 Ohms B Ph			Pull-Up Torque:	101.0 LB-FT		
Temp. Rise @ Rated Load:	51 C			Locked-Rotor Torque:	137.0 LB-FT		
Temp. Rise @ S.F. Load:	62 C			Starting Current:	188.0 Amps		
Load Characteristics							
% of Rated Load	25	50	75	100	125	150	S.F.
Power Factor:	47.0	69.0	78.0	82.0	84.0	84.0	83.0
Efficiency:	90.2	93.4	93.9	93.6	92.9	92.0	93.2
Speed:	1793.0	1787.0	1781.0	1774.0	1766.0	1758.0	1769.0
Line Amperes:	13.9	18.4	24.1	30.5	37.5	45.2	34.7

Performance Graph at 460V, 60Hz, 25.0HP Typical performance - Not guaranteed values



10LYG808



10LYG808

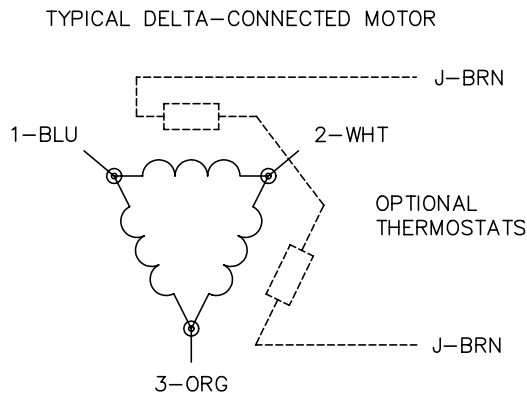
CUSTOMER IS RESPONSIBLE FOR DETERMINING THAT BALDOR'S PRODUCT WILL PERFORM SUITABLY IN THE INTENDED APPLICATION.

REV. DESC: UPDATE SHAFT TO MATCH DRAWING		
REV. LTR: A	VERSION: 01	TDR: 000000550404
FILE: \AAA\00161\893	REVISED: 01:38:03 07/23/2010	BY: ENKENTO
MTL: -		

**BALDOR**  
 HORZ TEFC 284-6T IEEE-841 4,6,8 PL W/RLR BRG  
 SH 1 of 1



CD0006



NOTES:

1. THREE LEAD MOTOR MAY BE EITHER WYE CONNECTED OR DELTA CONNECTED.
2. INTERCHANGE ANY TWO LINE LEADS TO REVERSE ROTATION.
3. OPTIONAL THERMOSTATS ARE PROVIDED WHEN SPECIFIED.
4. ACTUAL NUMBER OF INTERNAL PARALLEL CIRCUITS MAY VARY.
5. LEAD COLORS ARE OPTIONAL. LEADS MUST BE NUMBERED AS SHOWN.

REV. DESC: REVISE TO SHOW OPTIONAL COLORS			
REV. LTR: D	BY: JLP	REVISED: 01/21/99 4:02	TDR: 0171435
9000D		FILE: AAA00005141	MDL: -
		MTL: -	

**BALDOR ELECTRIC Co.**

3PH, SV, 3 LEADS, WYE OR DELTA CONNECTED

CD0006

LT0019A00																	
<p style="text-align: center;"><b>BALDOR MOTORS AND DRIVES</b></p> <p> <input type="checkbox"/> IEEE 841    <input type="checkbox"/> SPECIAL TEST    <input type="checkbox"/> OTHER          SPEC. _____ .250 CAT. _____ 2.563          G.O. _____ / _____ S/N _____          NO LOAD _____          VOLTAGE L1: _____ L2: _____ L3: _____          AMPS L1: _____ L2: _____ L3: _____ .375          RESISTANCE L1: _____ L2: _____ L3: _____ .375          RPM _____          ROTATION <input type="checkbox"/> CW <input type="checkbox"/> CCW HEATER RESISTANCE _____          (WHEN REQ'D)          VIBRATION (IN/SEC.) _____          OPPOSITE DRIVE END DRIVE END          HORZ. VERT. HORZ. VERT. AXIAL.          1.625 .875 .875 .875          TESTER _____ DATE / /          OTHER _____          LT0019A00          .375 (TYP) 1.125          3.000 2.000          2.688       </p>	<p>NOTE:</p> <ol style="list-style-type: none"> <li>1) BALDOR LOGO, "NO LOAD", AND "VIBRATION (IN/SEC.)" TO BE CENTERED ON PAGE.</li> <li>2) "IEEE", "SPECIAL TEST", AND "OTHER" TO BE <math>\frac{3}{16}</math>" HIGH.</li> <li>3) "HEATER RESISTANCE (WHEN REQ'D)" AND "LT0019A00" TO BE <math>\frac{3}{32}</math>" HIGH.</li> <li>4) ALL OTHER LETTERING TO BE <math>\frac{1}{8}</math>" HIGH.</li> </ol>																
MTL: 5.5" X 7" 2 PART CARBONLESS WHITE/MANILA																	
LT0019A00																	
<table border="1" style="width: 100%; border-collapse: collapse;"> <tr> <td colspan="2">REV. DESC: ADD DIMENSIONS AND MATERIAL INFO</td> <td colspan="2" style="text-align: center;"><b>BALDOR</b></td> </tr> <tr> <td>REV. LTR: D</td> <td>VERSION: 01</td> <td colspan="2">TDR: 000000724943</td> </tr> <tr> <td>FILE: \AAA\00070\447</td> <td colspan="2">REVISED: 04:02:06 08/22/2012</td> <td style="text-align: center;">MOTOR NO LOAD PERFORMANCE DATA SHEET</td> </tr> <tr> <td>MTL: 5.5 X 7 2 PART CARBONLESS WHITE/MANILA</td> <td colspan="2">BY: ENJERWO</td> <td style="text-align: center;">SH 1 of 1</td> </tr> </table>		REV. DESC: ADD DIMENSIONS AND MATERIAL INFO		<b>BALDOR</b>		REV. LTR: D	VERSION: 01	TDR: 000000724943		FILE: \AAA\00070\447	REVISED: 04:02:06 08/22/2012		MOTOR NO LOAD PERFORMANCE DATA SHEET	MTL: 5.5 X 7 2 PART CARBONLESS WHITE/MANILA	BY: ENJERWO		SH 1 of 1
REV. DESC: ADD DIMENSIONS AND MATERIAL INFO		<b>BALDOR</b>															
REV. LTR: D	VERSION: 01	TDR: 000000724943															
FILE: \AAA\00070\447	REVISED: 04:02:06 08/22/2012		MOTOR NO LOAD PERFORMANCE DATA SHEET														
MTL: 5.5 X 7 2 PART CARBONLESS WHITE/MANILA	BY: ENJERWO		SH 1 of 1														