

BALDOR® • **RELIANCE**

Product Information Packet

ECP83667T-5

1.5HP, 1170RPM, 3PH, 60HZ, 182T, 0630M, TEFC, F

Copyright © All product information within this document is subject to Baldor Electric Company copyright © protection, unless otherwise noted.

Part Detail										
Revision:	B	Status:	PRD/A	Change #:		Proprietary:	No			
Type:	AC	Prod. Type:	0630M	Elec. Spec:	06WGX237	CD Diagram:				
Enclosure:	TEFC	Mfg Plant:		Mech. Spec:	06H759	Layout:				
Frame:	182T	Mounting:	F1	Poles:	06	Created Date:	12-06-2010			
Base:	RG	Rotation:	R	Insulation:	F	Eff. Date:	08-31-2012			
Leads:	3#16	Literature:		Elec. Diagram:		Replaced By:				
Nameplate NP2162E										
CAT.NO.	ECP83667T-5									
SPEC.	06H759X237G1									
HP	1.5	T. CODE			T3					
VOLTS	575									
AMP	2									
RPM	1170									
FRAME	182T	HZ			60	PH		3		
SER.F.	1.15	CODE			K	DES		B	CL	F
NEMA-NOM-EFF	87.5	PF			65					
G.MIN.EFF	85.5	CC			010A					
RATING	40C AMB-CONT									
DE	6206	ODE			6206					
ENCL	TEFC	SN								

Nameplate NP2113E			
SPEC.	06H759X237G1		
MOTOR WEIGHT	99 LBS		
GREASE	POLYREX EM		
MAX. KVAR	.88		
# OF ROTOR BARS	27	# OF STATOR SLOTS	36
BLANK			
HTR-VOLTS	N/A	HTR-AMPS	N/A
MAX. SPACE HEATER TEMP.	N/A		

Parts List		
Part Number	Description	Quantity
SA213048	SA 06H759X237G1	1.000 EA
RA200274	RA 06H759X237G1	1.000 EA
36FN3000C01SP	EXFN, PLASTIC, 5.25 OD, .912 ID	1.000 EA
HW3201A05	3/8-16 EYEBOLT	1.000 EA
06CB1001A01G	CONDUIT BOX, MACH GRAY	1.000 EA
RM1016	LEAD SEPARATOR GASKET - 305/306 C.P.MOTO	1.000 EA
10XN2520A12	O1/4-20X 3/4 HEX HEAD CAP	2.000 EA
HW1001A25	LOCKWASHER 1/4, ZINC PLT .493 OD, .255 I	2.000 EA
11XW1032G06	10-32 X .38, TAPTITE II, HEX WSHR SLTD U	1.000 EA
HW3001B01	003SS CUP WASHER, FOR #8 SCREW	1.000 EA
WD1000B16	KPA-4C BURNDY TERMINAL	2.000 EA
10XN2520G06	1/4 20X3/8 HX HD CAP, GREEN	2.000 EA
06EP1132A02G	FREP TEFC 205,GRSR,RLF,DRAIN FITTING,INR	1.000 EA
HW4601A24	INPRO SEAL, 206 BRG, VBX	1.000 EA
HW4500A32	FIT./EXT 1698-B (ALEMITE)GREASE FITTING	1.000 EA
HA4051A00	PLASTIC CAP FOR GREASE FITTING	1.000 EA
51XN1032A20	10-32 X 1 1/4 HX WS SL SR	4.000 EA
HW4500A17	317400 ALEMITE GREASE RELIEF	1.000 EA
HA4010A01	DRAIN PLUG,416 S.S.,W/ 1/4-28 THD & .076	1.000 EA
51XN1032A20	10-32 X 1 1/4 HX WS SL SR	4.000 EA
HW5100A06	W2420-025 WVY WSHR (WB)	1.000 EA
06EP1132A01G	PUEP ENCL 206,BRG RET,GRSR,RLF,DRAIN FIT	1.000 EA
HW4601A24	INPRO SEAL, 206 BRG, VBX	1.000 EA
HW4500A01	1641B(ALEMITE)400 UNIV, GREASE FITT	1.000 EA

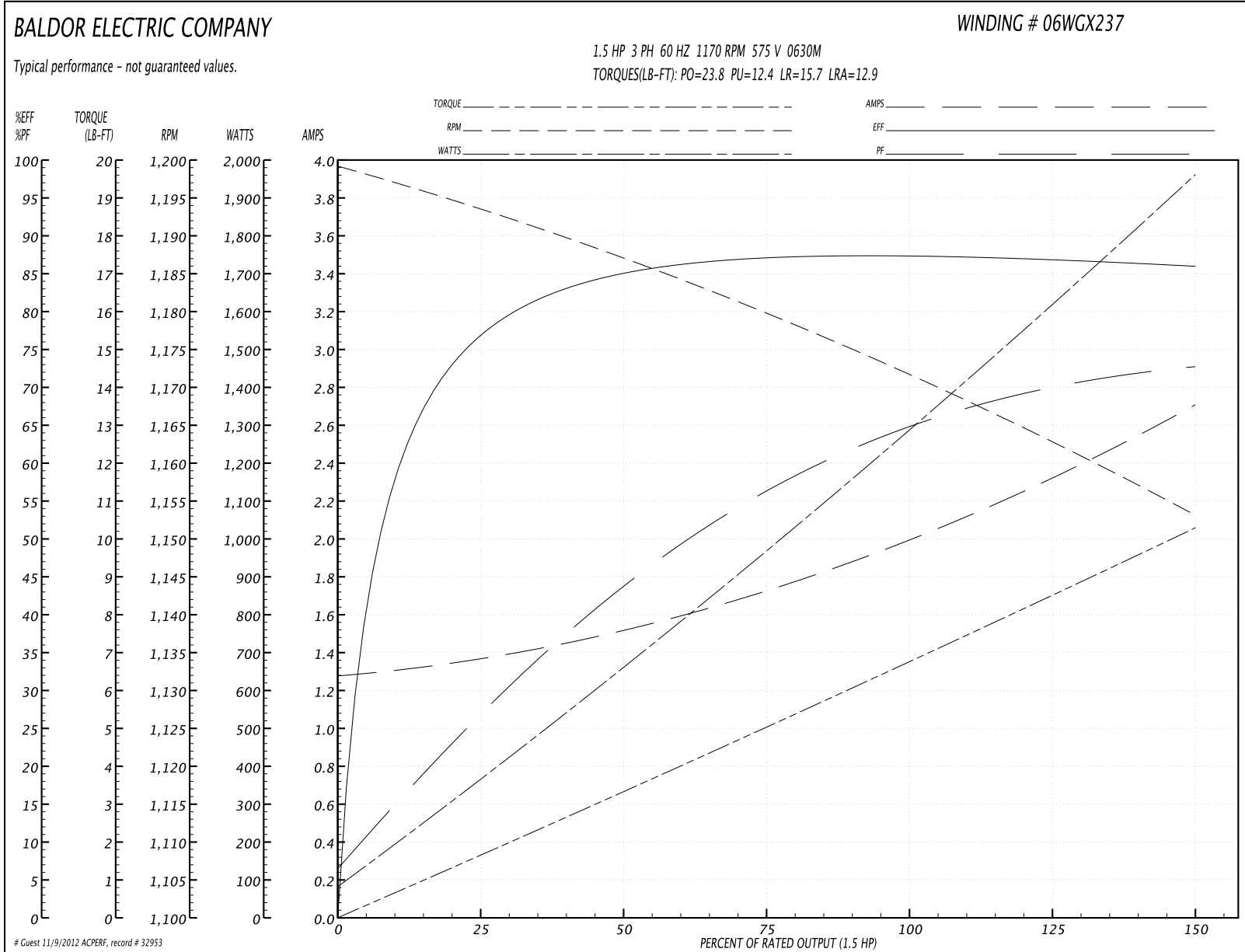
Parts List (continued)		
Part Number	Description	Quantity
HA4051A00	PLASTIC CAP FOR GREASE FITTING	1.000 EA
HW4500A17	317400 ALEMITE GREASE RELIEF	1.000 EA
HA4010A01	DRAIN PLUG,416 S.S.,W/ 1/4-28 THD & .076	1.000 EA
HA3101A34	THRUBOLT- 1/4-20 X 10.375	4.000 EA
XY2520A12	1/4-20 HEX NUT, DIRECTIONAL SERRATIONS	4.000 EA
06FH1004A01G	FAN HOUSING MACH, W/GRAY EPOXY	1.000 EA
10XN2520A20	1/4-20X 1 1/4 HEX HD X	3.000 EA
WD4100A02	DP-1000 HEYCO PLUG OR 62MP1000 MICRO PL	1.000 EA
06CB1503A01G	LIPPED CONDUIT BOX LID, MACH GRAY EPOXY	1.000 EA
06GS1009	GASKET, KOBX LID, 1/8" THICK BLACK NEOPR	1.000 EA
10XN2520A12	O1/4-20X 3/4 HEX HEAD CAP	2.000 EA
HW1001A25	LOCKWASHER 1/4, ZINC PLT .493 OD, .255 I	2.000 EA
MJ5004A59	ADHESIVE LOCTITE #401 SURFACE INSENSITIV	0.010 EA
HW2501E16	3KEY, 1/4 SQ X 1.750	1.000 EA
HA7000A02	KEY RETAINER RING, 1 1/8 DIA, 1 3/8 DIA	1.000 EA
MJ5001A01	46-665 RED SEALER	0.001 QT
MJ1000A73	INPRO P-80 ASSEMBLY LUB./ 1 QT. CONTAIN	0.001 QT
85XU0407S04	4X1/4 U DRIVE PIN STAINLESS	4.000 EA
LB1115	LABEL,LIFTING DEVICE	1.000 EA
LB1002	LABEL,MARINE DUTY (ON ROLLS)	1.000 EA
LT0019A00	MOTOR NO-LOAD PERFORMANCE DATA SHEET	1.000 EA
WD1000D21	TRM,T&B #B71M,RING,18-14,.25,NON-INSL	3.000 EA
MJ1000A75	GREASE, POLYREX EM EXXON	0.050 LB
51XB1214A16	12-14X1.00 HXWSSLD SERTYB	1.000 EA

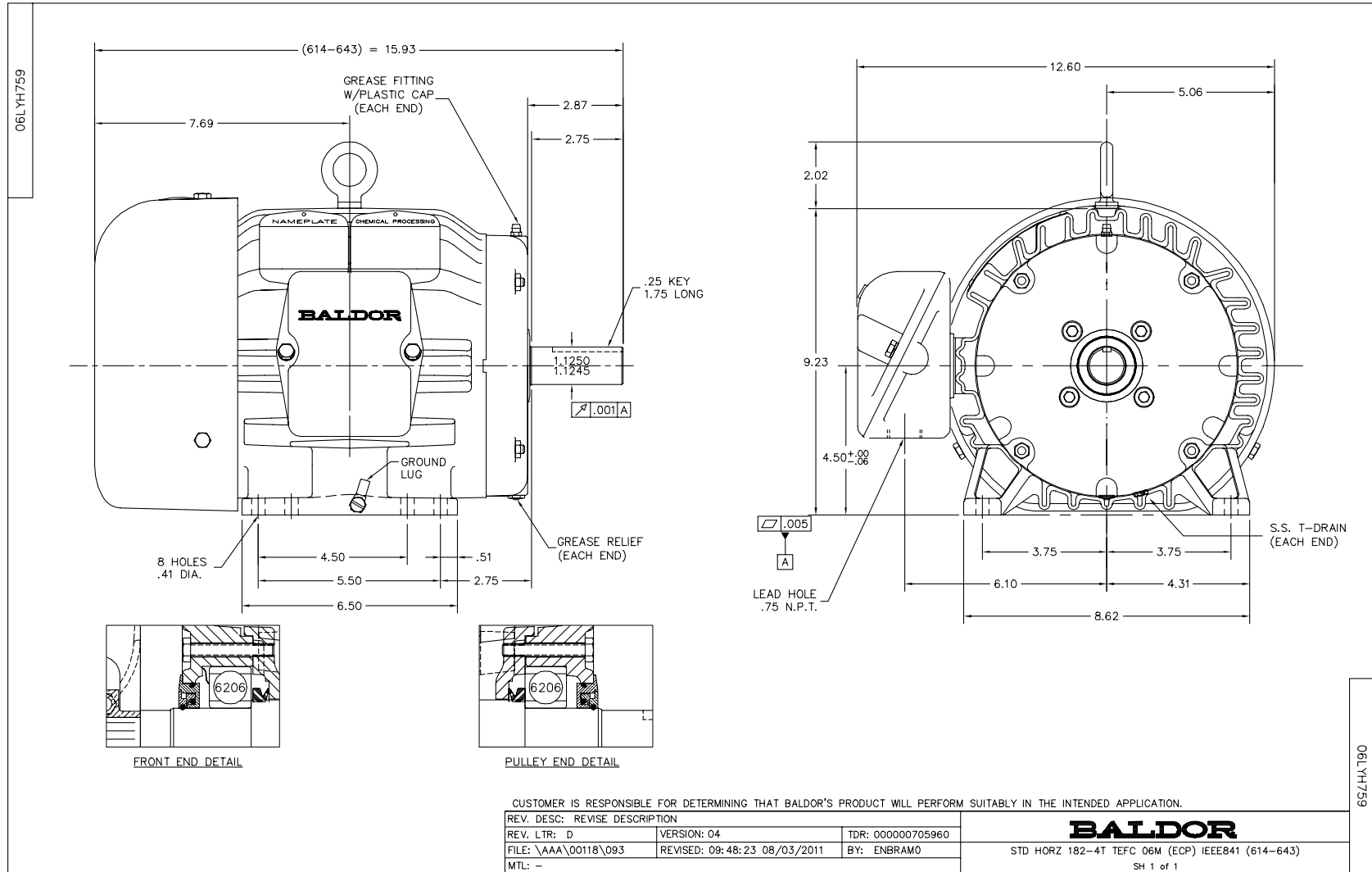
Parts List (continued)		
Part Number	Description	Quantity
MG1025N19	PAINT, 778.50 WILKO, RELIANCE ELEC GREEN	0.028 GA
LB1119	WARNING LABEL	1.000 EA
LB1125C02	SUPER-E (STOCK CTN LABEL SUPER-E WITH FL	1.000 EA
LB1449	DIV-2/NEC WARNING LABEL	1.000 EA
LC0006	CONNECTION LABEL	1.000 EA
LB1357	ENERGY GUIDE LABEL (BOX LABEL)	1.000 SH
NP2162E	SS IEEE841 DIV-2 UL CSA-C US EEV PREM	1.000 EA
NP2113E	SS IEEE841 AUX DATA INFORMATION SURFACE	1.000 EA
36PA1001	PACKAGING GROUP	1.000 EA

Performance Data at 575V, 60Hz, 1.5HP (Typical performance - Not guaranteed values)

General Characteristics							
Full Load Torque:	6.77 LB-FT			Start Configuration:	DOL		
No-Load Current:	1.29 Amps			Break-Down Torque:	23.8 LB-FT		
Line-line Res. @ 25°C.:	11.1 Ohms A Ph / 0.0 Ohms B Ph			Pull-Up Torque:	12.4 LB-FT		
Temp. Rise @ Rated Load:	26 C			Locked-Rotor Torque:	15.7 LB-FT		
Temp. Rise @ S.F. Load:	31 C			Starting Current:	12.9 Amps		
Load Characteristics							
% of Rated Load	25	50	75	100	125	150	S.F.
Power Factor:	27.0	45.0	56.0	65.0	70.0	73.0	68.0
Efficiency:	76.2	84.8	86.9	87.6	87.1	85.8	87.3
Speed:	1194.0	1187.0	1179.0	1172.0	1163.0	1153.0	1167.0
Line Amperes:	1.35	1.51	1.74	2.0	2.33	2.7	2.2

Performance Graph at 575V, 60Hz, 1.5HP Typical performance - Not guaranteed values





CD0006



NOTES:

1. THREE LEAD MOTOR MAY BE EITHER WYE CONNECTED OR DELTA CONNECTED.
2. INTERCHANGE ANY TWO LINE LEADS TO REVERSE ROTATION.
3. OPTIONAL THERMOSTATS ARE PROVIDED WHEN SPECIFIED.
4. ACTUAL NUMBER OF INTERNAL PARALLEL CIRCUITS MAY VARY.
5. LEAD COLORS ARE OPTIONAL. LEADS MUST BE NUMBERED AS SHOWN.

REV. DESC: REVISE TO SHOW OPTIONAL COLORS			
REV. LTR: D	BY: JLP	REVISED: 01/21/99 4:02	TDR: 0171435
9000D		FILE: AAA00005141	MDL: -
		MTL: -	

BALDOR ELECTRIC Co.

3PH, SV, 3 LEADS, WYE OR DELTA CONNECTED

CD0006