

# **BALDOR® • RELIANCE**

## **Product Information Packet**

### **ECP83771T-4**

**10HP,3475RPM,3PH,60HZ,215T,0742M,TEFC,F1**

Copyright © All product information within this document is subject to Baldor Electric Company copyright © protection, unless otherwise noted.

Part Detail							
Revision:	C	Status:	PRD/A	Change #:		Proprietary:	No
Type:	AC	Prod. Type:	0742M	Elec. Spec:	07WGY930	CD Diagram:	
Enclosure:	TEFC	Mfg Plant:		Mech. Spec:	07K629	Layout:	
Frame:	215T	Mounting:	F1	Poles:	02	Created Date:	01-14-2012
Base:	RG	Rotation:	R	Insulation:	F	Eff. Date:	09-14-2012
Leads:	3#14	Literature:		Elec. Diagram:		Replaced By:	

Nameplate NP2162E									
CAT.NO.	ECP83771T-4								
SPEC.	07K629Y930G1								
HP	10	T. CODE	T3						
VOLTS	460								
AMP	11.3								
RPM	3500								
FRAME	215T	HZ	60	PH	3				
SER.F.	1.15	CODE	H	DES	B	CL	F		
NEMA-NOM-EFF	91	PF	91						
G.MIN.EFF	89.5	CC	010A						
RATING	40C AMB-CONT								
DE	6307	ODE	6307						
ENCL	TEFC	SN							

Nameplate NP2113E			
SPEC.	07K629Y930G1		
MOTOR WEIGHT	182 LBS		
GREASE	POLYREX EM		
MAX. KVAR	N/A		
# OF ROTOR BARS	28	# OF STATOR SLOTS	36
BLANK			
HTR-VOLTS	N/A	HTR-AMPS	N/A
MAX. SPACE HEATER TEMP.	N/A		

Parts List		
Part Number	Description	Quantity
SA237639	SA 07K629Y930G1	1.000 EA
RA224567	RA 07K629Y930G1	1.000 EA
36FN3000C02	EXFN, PLASTIC, 5.25 OD, 1.175 ID	1.000 EA
HW3201A05	3/8-16 EYEBOLT	1.000 EA
09CB1002A05G	CONDUIT BOX, 1.00 N.P.T. (GRAY)	1.000 EA
RM1017	LEAD SEPERATOR GASKET MODEL 307 1/8" THK	1.000 EA
51XW2520A12	.25-20 X .75, TAPTITE II, HEX WSHR SLTD	2.000 EA
11XW1032G06	10-32 X .38, TAPTITE II, HEX WSHR SLTD U	1.000 EA
HW3001B01	003SS CUP WASHER, FOR #8 SCREW	1.000 EA
10XN2520S06	1/4 20X3/8 HX HD CAP S.S.	2.000 EA
WD1000B16	KPA-4C BURNDY TERMINAL	2.000 EA
07EP1119A02G	206 BRG,C.I.FH,GRSR,RLF,DRAIN FITTING,IN	1.000 EA
HW4601A25	200.O SEAL, 307 BRG, VBX,	1.000 EA
10XN2520A26	1/4-20X 1 5/8 HEX HD	4.000 EA
HW4600B44SP	V-RING SLINGER 1.500 X 2.290 X 0.280	1.000 EA
HW4500A32	FIT./EXT 1698-B (ALEMITE)GREASE FITTING	1.000 EA
HA4051A00	PLASTIC CAP FOR GREASE FITTING	1.000 EA
HW4500A17	317400 ALEMITE GREASE RELIEF	1.000 EA
HA4010A01	DRAIN PLUG,416 S.S.,W/ 1/4-28 THD & .076	1.000 EA
HW5100A08	W3118-035 WVY WSHR (WB)	1.000 EA
07EP1119A01G	307 BRG,BRG RET,GRSR,RLF,DRAIN FITTING,I	1.000 EA
HW4601A25	200.O SEAL, 307 BRG, VBX,	1.000 EA
HW4600B44SP	V-RING SLINGER 1.500 X 2.290 X 0.280	1.000 EA
HW4500A01	1641B(ALEMITE)400 UNIV, GREASE FITT	1.000 EA

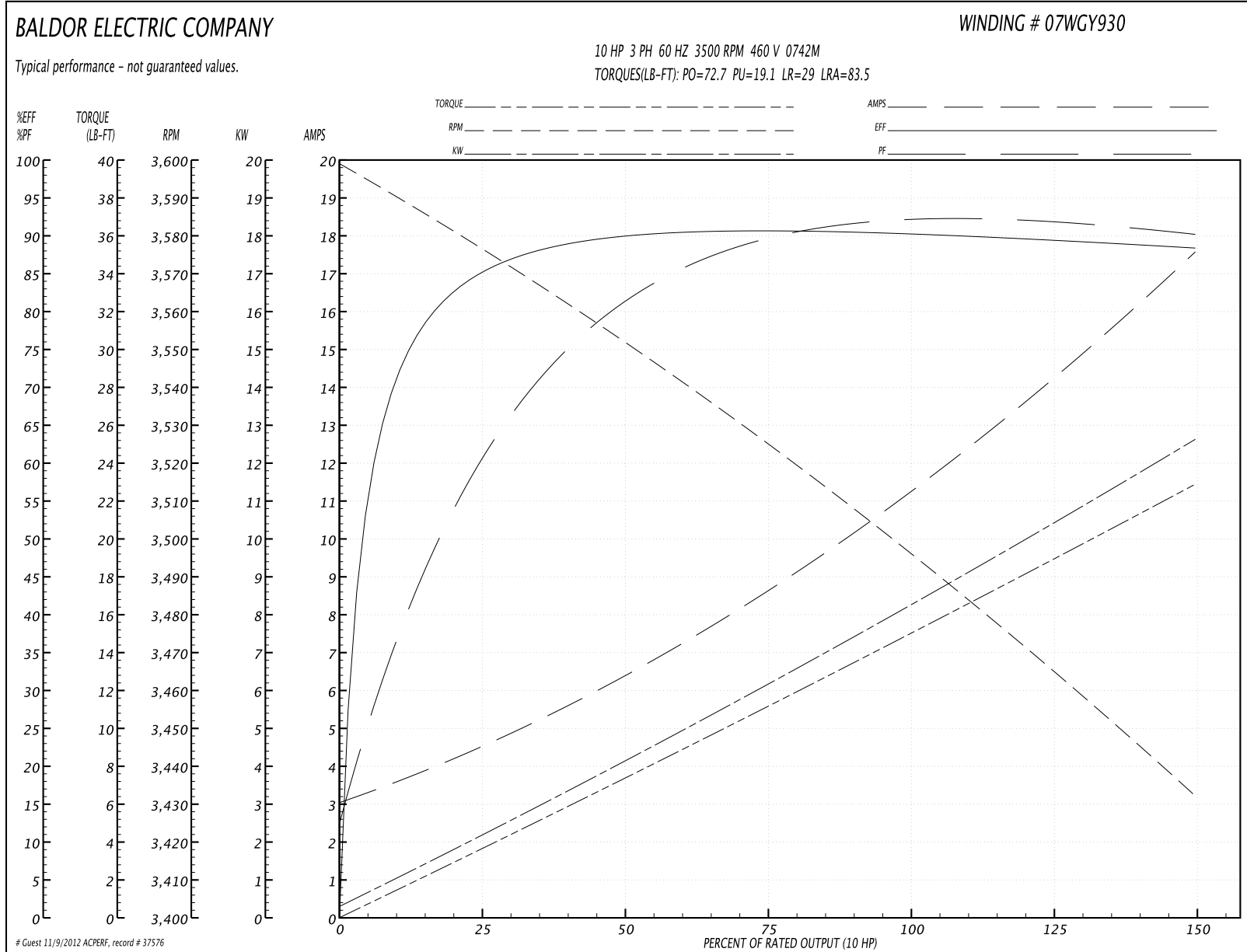
Parts List (continued)		
Part Number	Description	Quantity
HA4051A00	PLASTIC CAP FOR GREASE FITTING	1.000 EA
HW4500A17	317400 ALEMITE GREASE RELIEF	1.000 EA
HA4010A01	DRAIN PLUG,416 S.S.,W/ 1/4-28 THD & .076	1.000 EA
10XN2520A26	1/4-20X 1 5/8 HEX HD	4.000 EA
XY3118A12	5/16-18 HEX NUT DIRECTIONAL SERRATION	4.000 EA
07FH1001A01G	SPL FAN HOUSING, 307, W/GREASER, GRAY EP	1.000 EA
10XN2520A28	1/4-20X 1 3/4 HEX HD	3.000 EA
WD4100A02	DP-1000 HEYCO PLUG OR 62MP1000 MICRO PL	1.000 EA
12CB1503A03G	CONDUIT BOX LID, MACH (GRAY), WITH LIP	1.000 EA
09GS1013A01	09 GS FOR 09CB3501 LID - BLACK NEOPRENE	1.000 EA
10XN2520A12	O1/4-20X 3/4 HEX HEAD CAP	2.000 EA
MJ5004A59	ADHESIVE LOCTITE #401 SURFACE INSENSITIV	0.010 EA
HW2501F21	KEY, 5/16 SQ X 2.375	1.000 EA
HA7000A02	KEY RETAINER RING, 1 1/8 DIA, 1 3/8 DIA	1.000 EA
MJ5001A01	46-665 RED SEALER	0.001 QT
MJ1000A73	INPRO P-80 ASSEMBLY LUB./ 1 QT. CONTAIN	0.001 QT
85XU0407S04	4X1/4 U DRIVE PIN STAINLESS	4.000 EA
LB1115	LABEL,LIFTING DEVICE	1.000 EA
LB1002	LABEL,MARINE DUTY (ON ROLLS)	1.000 EA
LT0019A00	MOTOR NO-LOAD PERFORMANCE DATA SHEET	1.000 EA
WD1000D21	TRM,T&B #B71M,RING,18-14,.25,NON-INSL	3.000 EA
MJ1000A75	GREASE, POLYREX EM EXXON	0.050 LB
HA3104A32	THRUBOLT- 5/16-18 X12.750	4.000 EA
51XB1214A20	12-14X1.25 HXWSSLD SERTYB	1.000 EA

Parts List (continued)		
Part Number	Description	Quantity
MG1025N19	PAINT, 778.50 WILKO, RELIANCE ELEC GREEN	0.036 GA
LB1119	WARNING LABEL	1.000 EA
LB1125C02	SUPER-E (STOCK CTN LABEL SUPER-E WITH FL	1.000 EA
LC0006	CONNECTION LABEL	1.000 EA
LB1357	ENERGY GUIDE LABEL (BOX LABEL)	1.000 SH
LB1449	DIV-2/NEC WARNING LABEL	1.000 EA
NP2162E	SS IEEEE841 DIV-2 UL CSA-C US EEV PREM	1.000 EA
NP2113E	SS IEEEE841 AUX DATA INFORMATION SURFACE	1.000 EA
07PA1011	PKG GRP, 07 CAST IRON PK1181	1.000 EA
10XL3808A28	3/8 X 1 3/4" LAG SCREW	2.000 EA

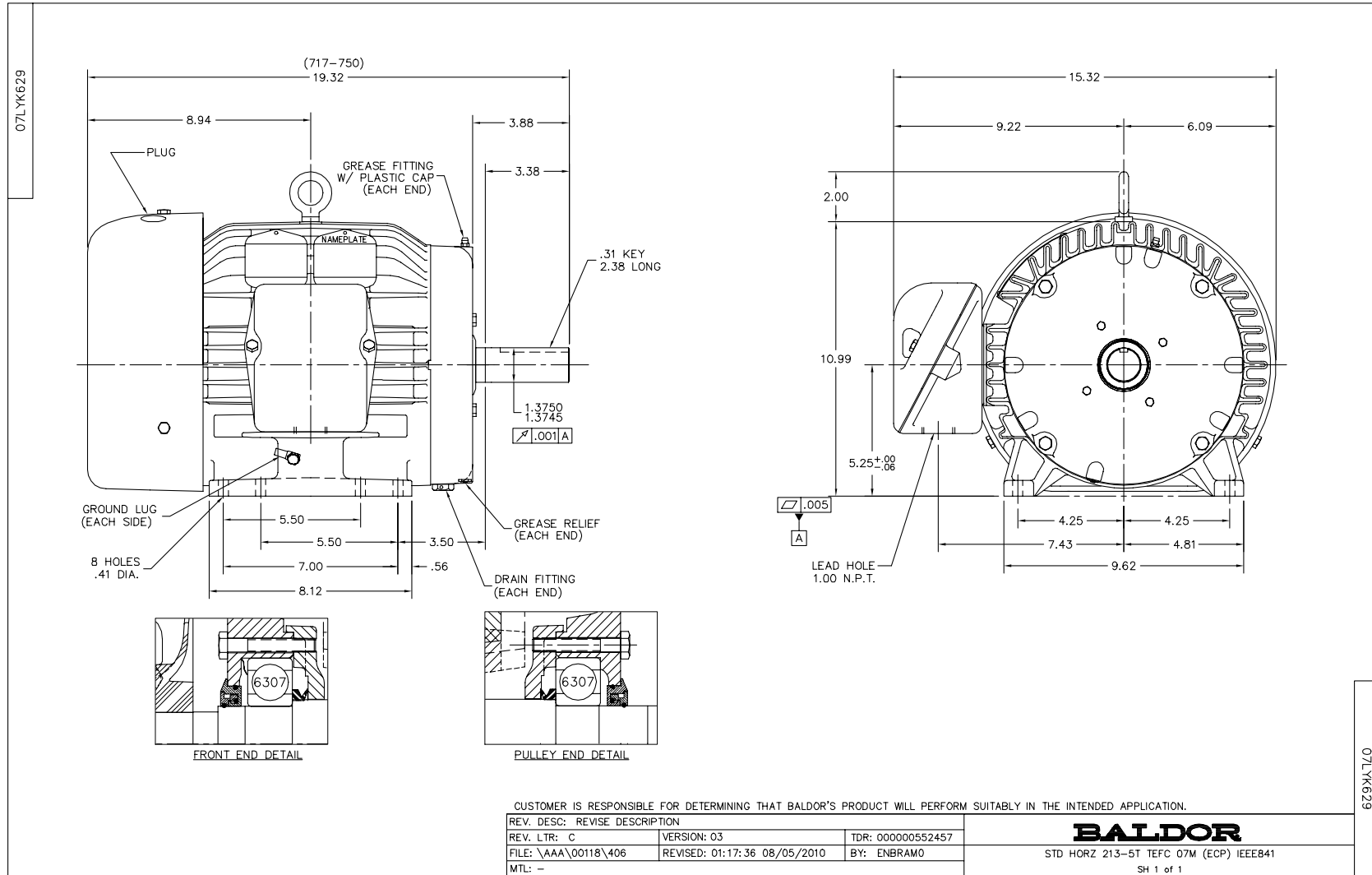
**Performance Data at 460V, 60Hz, 10.0HP (Typical performance - Not guaranteed values)**

General Characteristics							
Full Load Torque:	14.9 LB-FT			Start Configuration:	DOL		
No-Load Current:	3.27 Amps			Break-Down Torque:	72.7 LB-FT		
Line-line Res. @ 25°C.:	0.80548 Ohms A Ph / 0.0 Ohms B Ph			Pull-Up Torque:	19.1 LB-FT		
Temp. Rise @ Rated Load:	64 C			Locked-Rotor Torque:	29.0 LB-FT		
Temp. Rise @ S.F. Load:	79 C			Starting Current:	83.5 Amps		
Load Characteristics							
% of Rated Load	25	50	75	100	125	150	S.F.
Power Factor:	65.0	83.0	89.0	91.0	91.0	91.0	91.0
Efficiency:	85.1	90.0	90.8	90.5	89.5	88.2	89.9
Speed:	3576.8	3551.9	3525.5	3496.7	3465.8	3432.0	3478.0
Line Amperes:	4.23	6.26	8.65	11.3	14.4	17.4	13.2

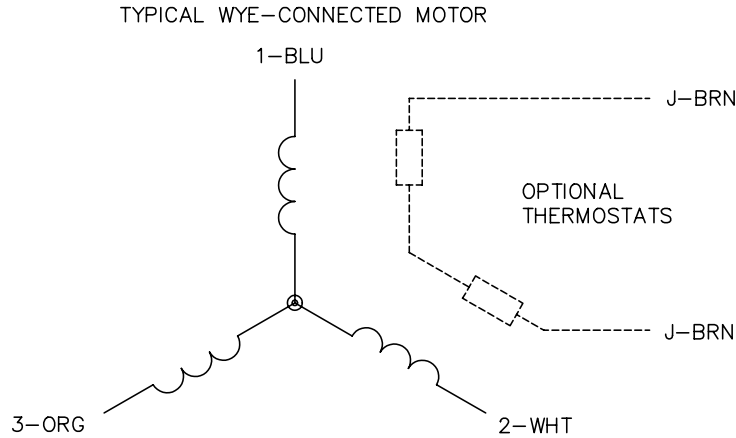
Performance Graph at 460V, 60Hz, 10.0HP Typical performance - Not guaranteed values







CD0006



NOTES:

1. THREE LEAD MOTOR MAY BE EITHER WYE CONNECTED OR DELTA CONNECTED.
2. INTERCHANGE ANY TWO LINE LEADS TO REVERSE ROTATION.
3. OPTIONAL THERMOSTATS ARE PROVIDED WHEN SPECIFIED.
4. ACTUAL NUMBER OF INTERNAL PARALLEL CIRCUITS MAY VARY.
5. LEAD COLORS ARE OPTIONAL. LEADS MUST BE NUMBERED AS SHOWN.

REV. DESC: REVISE TO SHOW OPTIONAL COLORS			
REV. LTR: D	BY: JLP	REVISED: 01/21/99 4:02	TDR: 0171435
9000D		FILE: AAA00005141	MDL: -
		MTL: -	

**BALDOR ELECTRIC Co.**

3PH, SV, 3 LEADS, WYE OR DELTA CONNECTED

CD0006