

BALDOR® • RELIANCE

Product Information Packet

ECP84106T-5

20HP,3510RPM,3PH,60HZ,256T,0942M,TEFC,F1

Copyright © All product information within this document is subject to Baldor Electric Company copyright © protection, unless otherwise noted.

Part Detail							
Revision:	C	Status:	PRD/A	Change #:		Proprietary:	No
Type:	AC	Prod. Type:	0942M	Elec. Spec:	09WGZ563	CD Diagram:	
Enclosure:	TEFC	Mfg Plant:		Mech. Spec:	09G557	Layout:	
Frame:	256T	Mounting:	F1	Poles:	02	Created Date:	02-26-2010
Base:	RG	Rotation:	R	Insulation:	F	Eff. Date:	10-01-2012
Leads:	3#12	Literature:		Elec. Diagram:		Replaced By:	

Nameplate NP2155							
STK.NO.	ECP84106T-5	P/N		ENCLOSURE	TEFC		
SPEC.	09G557Z563	CC	010A	FRAME	256T	S/N	
HP	20	CLASS	F	HZ	60		
RPM	3510	T. CODE	T3	PH	3	DES	B
VOLT	575	KVA-CODE	G	ODE BRG	6309	DE BRG	6309
AMP	17.8	MOTOR WEIGHT	310				
RATING	40C AMB-CONT	MAX. KVAR	2.0	GREASE	POLYREX EM		
NEMA-NOM-EFF	91.7	# OF ROTOR BARS	28	SER.F.	1.15		
G.MIN.EFF	90.2	# OF STATOR SLOTS	36	PF	91		
HTR-VOLTS		HTR-AMPS		MAX. SPACE HEATER TEMP.			

Parts List		
Part Number	Description	Quantity
SA192924	SA 09G557Z563	1.000 EA
RA180548	RA 09G557Z563	1.000 EA
37FN3002C02	EXFN, PLASTIC, 6.00 OD, 1.500 ID	1.000 EA
HW1002A63	WASHER, 5/8 HI-COLLAR SPRLCKWASHER	1.000 EA
09CB1002A12P	KOBX W/1.25 NPT LEAD HOLE & 2.38 MTG HOL	1.000 EA
09GS1010	GASKET, DWG, LEADWIRE SEPERATOR	1.000 EA
10XN2520K12	1/4-20 X.75 GRD 5	4.000 EA
HW1001A25	LOCKWASHER 1/4, ZINC PLT .493 OD, .255 I	4.000 EA
WD1000B16	KPA-4C BURNDY TERMINAL	1.000 EA
10XN2520K06	1/4-20 X 3/8" HX HD SCREWGRADE 5, ZINC P	1.000 EA
WD1000B16	KPA-4C BURNDY TERMINAL	1.000 EA
10XN2520K06	1/4-20 X 3/8" HX HD SCREWGRADE 5, ZINC P	1.000 EA
HW1001A25	LOCKWASHER 1/4, ZINC PLT .493 OD, .255 I	1.000 EA
HA3400A39	STUD- 3/8-16 X 6.19 OAL HEX WELKER	4.000 EA
HW4500A20	1/8NPT SL PIPE PLUG	1.000 EA
HA4017A08	.125X3.50 GREASER EXTEN. NLA	1.000 EA
HA4017A10	1/8X1.25 GREASE EXT (F/S)	1.000 EA
HA4024A02	1/8 DOUBLE FEMALE SS CPLG, MCM #4464K351	1.000 EA
HA4002A01	DRAIN PLUG STAINLESS STL	1.000 EA
HW4601A61	INPRO SEAL #1698-A-17120-0, VBXX 309 BRG	1.000 EA
HW5100A11	W3917-042 WVY WSHR (WB)	1.000 EA
10XN2520K36	1/4-20 X 2.25" HX HD SCRWGRADE 5, ZINC P	4.000 EA
09EP1118A01P	PUEP MACH, 309 BRG.INPRO SEALS-EPOXY PRI	1.000 EA
HW4500A20	1/8NPT SL PIPE PLUG	1.000 EA

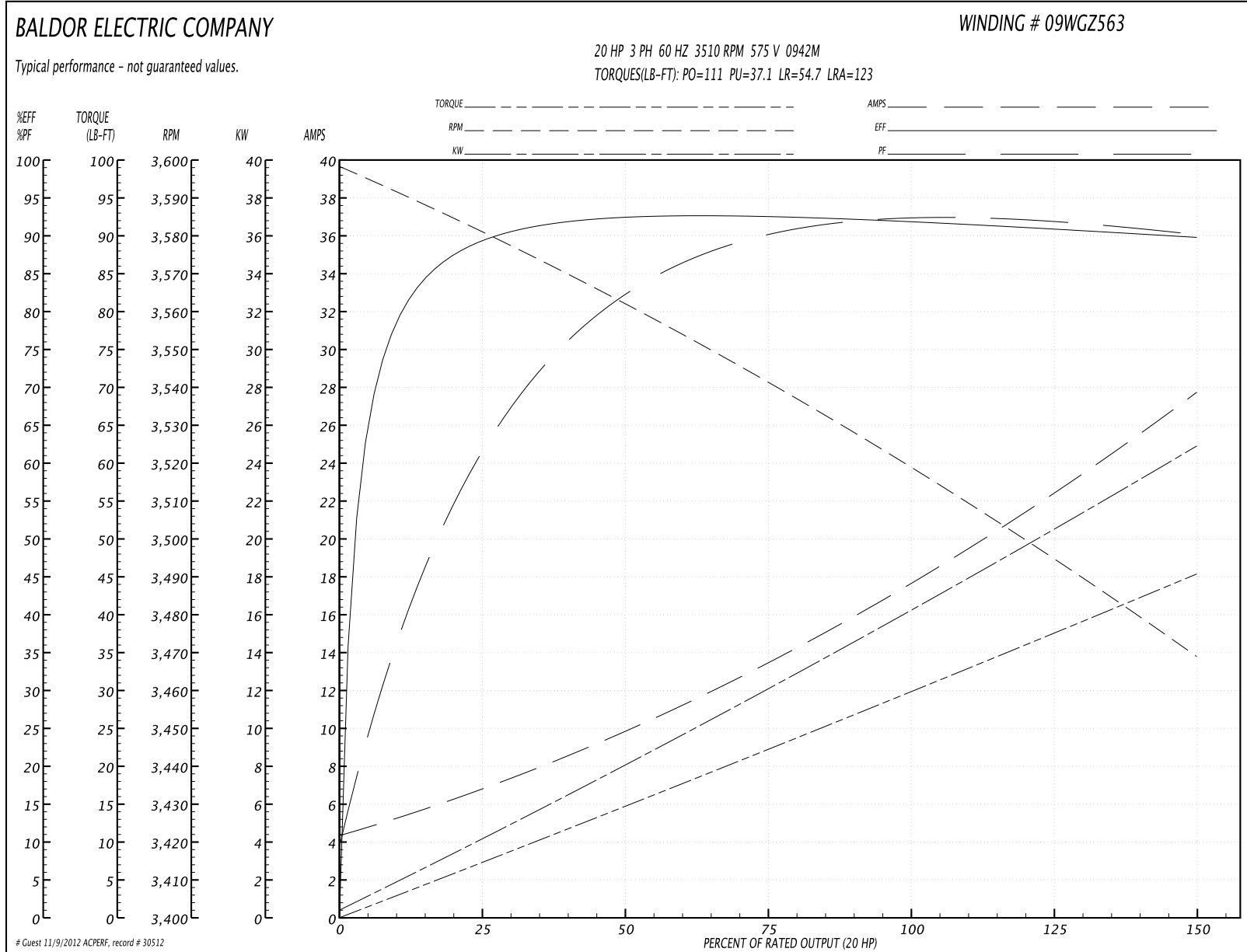
Parts List (continued)		
Part Number	Description	Quantity
10XN3816K28	3/8-16 X 1.75 HEX HD CAP SCREW, GRADE 5	4.000 EA
HW1001A38	LOCKWASHER 3/8, ZINC PLT .688 OD, .382 I	4.000 EA
HA4002A01	DRAIN PLUG STAINLESS STL	1.000 EA
HW4601A61	INPRO SEAL #1698-A-17120-0, VBXX 309 BRG	1.000 EA
10XN2520K36	1/4-20 X 2.25" HX HD SCRWGRADE 5, ZINC P	4.000 EA
09FH1000P	FAN COVER, CAST W/EPOXY PRIMER	1.000 EA
XY3816A12	3/8-16 FINISHED NUT	4.000 EA
HW1001A38	LOCKWASHER 3/8, ZINC PLT .688 OD, .382 I	4.000 EA
HW1001A38	LOCKWASHER 3/8, ZINC PLT .688 OD, .382 I	4.000 EA
12CB1503A01P	KOLD MACH, W/LIP & EPOXY PRIMER	1.000 EA
12GS1002	GASKET, CONDUIT BOX LID, NEOP	1.000 EA
10XN3118K16	5/16-18 X 1" GRADE #5, STL, ZINC PLATE	2.000 EA
HW1001A31	LOCKWASHER 5/16, ZINC PLT.591 OD, .319 I	2.000 EA
MJ5004A59	ADHESIVE LOCTITE #401 SURFACE INSENSITIV	0.010 EA
HW2501G25	KEY, 3/8 SQ X 2.875	1.000 EA
MJ5001A01	46-665 RED SEALER	0.031 QT
MJ5001A14	DYNAPRO SEAL, CP MOTORS VC#2508050 (603	0.023 EA
LB1115	LABEL,LIFTING DEVICE	1.000 EA
LB5040	INSTRUCTION TAG, AC & DC	1.000 EA
LB1002	LABEL,MARINE DUTY (ON ROLLS)	1.000 EA
WD1000B49	TERMINAL BURNDY YAV10-T4	3.000 EA
09EP1118A02GP6	FREP MACH, 309 BRG. EPOXY PRIMER	1.000 EA
HW4500A21	1618BALEMITE FITTING 825 UNIVERSAL	1.000 EA
HA4051A00	PLASTIC CAP FOR GREASE FITTING	1.000 EA

Parts List (continued)		
Part Number	Description	Quantity
HW4500A17	317400 ALEMITE GREASE RELIEF	1.000 EA
MJ1000A75	GREASE, POLYREX EM EXXON	0.080 LB
HW4500A03	GREASE FITTING, .125 NPT 1610(ALEMITE) 8	1.000 EA
HA4051A00	PLASTIC CAP FOR GREASE FITTING	1.000 EA
HW4500A17	317400 ALEMITE GREASE RELIEF	1.000 EA
HW2500A25	WOODRUFF KEY USA #1008 #BLOW CARBON STEE	1.000 EA
51XB1214A20	12-14X1.25 HXWSSLD SERTYB	1.000 EA
MG1025N19	PAINT, 778.50 WILKO, RELIANCE ELEC GREEN	0.050 GA
85XU0407S04	4X1/4 U DRIVE PIN STAINLESS	4.000 EA
LB1449	DIV-2/NEC WARNING LABEL	1.000 EA
LB1119	WARNING LABEL	1.000 EA
LB1125C02	SUPER-E (STOCK CTN LABEL SUPER-E WITH FL	4.000 EA
LB1357	ENERGY GUIDE LABEL (BOX LABEL)	1.000 SH
LC0006	CONNECTION LABEL	1.000 EA
NP2155	IEEE-841,NP, ECP, DIV 2	1.000 EA
40PA1005	PACKAGING GROUP, 09 STD	1.000 EA

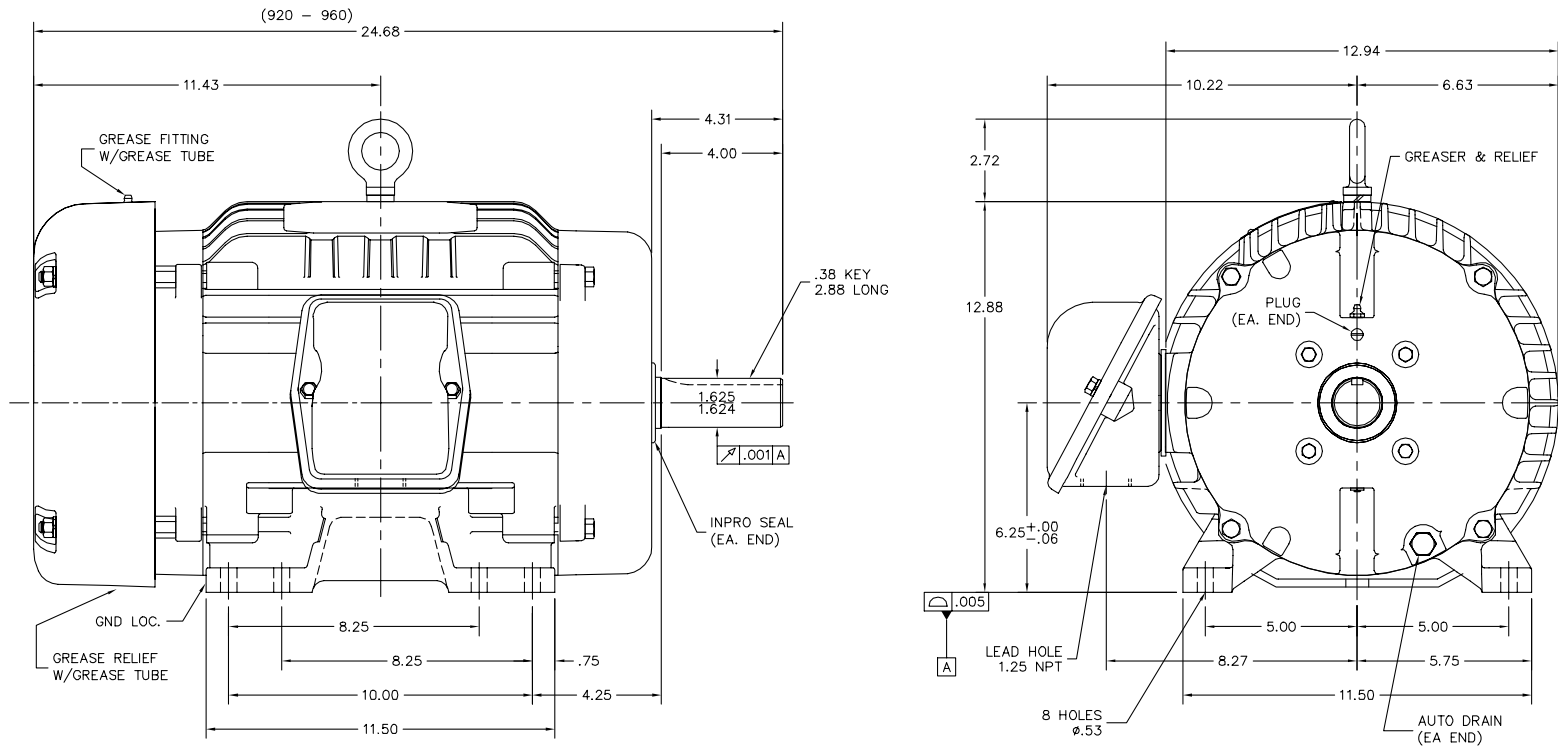
Performance Data at 575V, 60Hz, 20.0HP (Typical performance - Not guaranteed values)

General Characteristics							
Full Load Torque:	29.7 LB-FT			Start Configuration:	DOL		
No-Load Current:	4.7 Amps			Break-Down Torque:	111.0 LB-FT		
Line-line Res. @ 25°C.:	0.718 Ohms A Ph / 0.0 Ohms B Ph			Pull-Up Torque:	37.1 LB-FT		
Temp. Rise @ Rated Load:	61 C			Locked-Rotor Torque:	54.7 LB-FT		
Temp. Rise @ S.F. Load:	77 C			Starting Current:	123.0 Amps		
Load Characteristics							
% of Rated Load	25	50	75	100	125	150	S.F.
Power Factor:	66.0	84.0	89.0	91.0	91.0	91.0	91.0
Efficiency:	89.0	91.9	92.4	92.2	90.9	89.7	91.4
Speed:	3581.0	3561.0	3542.0	3520.0	3496.0	3468.0	3506.0
Line Amperes:	6.29	9.59	13.5	17.8	22.6	27.5	20.7

Performance Graph at 575V, 60Hz, 20.0HP Typical performance - Not guaranteed values



09LY6557



CUSTOMER IS RESPONSIBLE FOR DETERMINING THAT MOTOR PERFORMANCE IS SUITABLE IN THE APPLICATION.

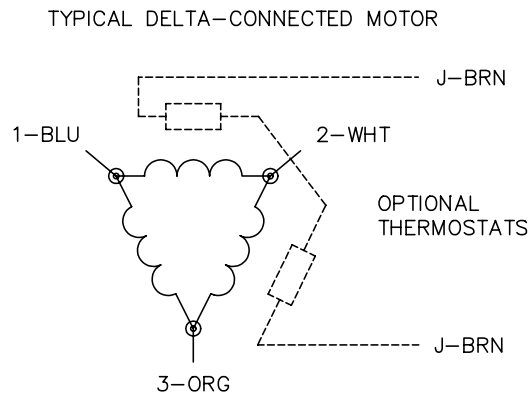
REV. DESC: CHG'D SHAFT T.I.R. FROM .0015 TO .001	VERSION: 10	TDR: 000000435855
REV. LTR: K	REVISD: 08:39:55 07/09/2007	BY: ENSHALO
FILE: \AAA\00126\329		
MTL: -		

Baldor • Dodge • Reliance

STD HORZ TEFC 254-6T IEEE-841 2 PL W/309 BRGS

09LY6557

CD0006



NOTES:

1. THREE LEAD MOTOR MAY BE EITHER WYE CONNECTED OR DELTA CONNECTED.
2. INTERCHANGE ANY TWO LINE LEADS TO REVERSE ROTATION.
3. OPTIONAL THERMOSTATS ARE PROVIDED WHEN SPECIFIED.
4. ACTUAL NUMBER OF INTERNAL PARALLEL CIRCUITS MAY VARY.
5. LEAD COLORS ARE OPTIONAL. LEADS MUST BE NUMBERED AS SHOWN.

REV. DESC: REVISE TO SHOW OPTIONAL COLORS			
REV. LTR: D	BY: JLP	REVISED: 01/21/99 4:02	TDR: 0171435
9000D		FILE: AAA00005141	MDL: -
		MTL: -	

BALDOR ELECTRIC Co.

3PH, SV, 3 LEADS, WYE OR DELTA CONNECTED

CD0006

LT0019A00													
<p style="text-align: center;">BALDOR MOTORS AND DRIVES</p> <p> <input type="checkbox"/> IEEE 841 <input type="checkbox"/> SPECIAL TEST <input type="checkbox"/> OTHER SPEC. _____ .250 CAT. _____ 2.563 G.O. _____ / _____ S/N _____ NO LOAD _____ VOLTAGE L1: _____ L2: _____ L3: _____ AMPS L1: _____ L2: _____ L3: _____ RESISTANCE L1: _____ L2: _____ L3: _____ RPM _____ ROTATION <input type="checkbox"/> CW <input type="checkbox"/> CCW HEATER RESISTANCE _____ (WHEN REQ'D) VIBRATION (IN/SEC.) _____ OPPOSITE DRIVE END DRIVE END HORZ. VERT. HORZ. VERT. AXIAL. TESTER _____ DATE / / OTHER _____ _____ _____ </p>	<p>NOTE:</p> <ol style="list-style-type: none"> 1) BALDOR LOGO, "NO LOAD", AND "VIBRATION (IN/SEC.)" TO BE CENTERED ON PAGE. 2) "IEEE", "SPECIAL TEST", AND "OTHER" TO BE $\frac{3}{16}$" HIGH. 3) "HEATER RESISTANCE (WHEN REQ'D)" AND "LT0019A00" TO BE $\frac{3}{32}$" HIGH. 4) ALL OTHER LETTERING TO BE $\frac{1}{8}$" HIGH. 												
MTL: 5.5" X 7" 2 PART CARBONLESS WHITE/MANILA													
<div style="display: flex; justify-content: space-between; align-items: center;"> <div style="width: 45%;"> <table border="1" style="width: 100%; border-collapse: collapse;"> <tr> <td colspan="3">REV. DESC: ADD DIMENSIONS AND MATERIAL INFO</td> </tr> <tr> <td>REV. LTR: D</td> <td>VERSION: 01</td> <td>TDR: 000000724943</td> </tr> <tr> <td>FILE: \AAA\00070\447</td> <td colspan="2">REVISED: 04:02:06 08/22/2012</td> </tr> <tr> <td>MTL: 5.5 X 7 2 PART CARBONLESS WHITE/MANILA</td> <td colspan="2">BY: ENJERWO</td> </tr> </table> </div> <div style="width: 50%; text-align: center;"> <p>MOTOR NO LOAD PERFORMANCE DATA SHEET</p> <p>SH 1 of 1</p> </div> </div>		REV. DESC: ADD DIMENSIONS AND MATERIAL INFO			REV. LTR: D	VERSION: 01	TDR: 000000724943	FILE: \AAA\00070\447	REVISED: 04:02:06 08/22/2012		MTL: 5.5 X 7 2 PART CARBONLESS WHITE/MANILA	BY: ENJERWO	
REV. DESC: ADD DIMENSIONS AND MATERIAL INFO													
REV. LTR: D	VERSION: 01	TDR: 000000724943											
FILE: \AAA\00070\447	REVISED: 04:02:06 08/22/2012												
MTL: 5.5 X 7 2 PART CARBONLESS WHITE/MANILA	BY: ENJERWO												