

BALDOR® • *RELIANCE*

Product Information Packet

ECP84108T-4

30HP,3520RPM,3PH,60HZ,286TS,1042M,TEFC,F

Copyright © All product information within this document is subject to Baldor Electric Company copyright © protection, unless otherwise noted.

Part Detail							
Revision:	V	Status:	PRD/A	Change #:		Proprietary:	No
Type:	AC	Prod. Type:	1042M	Elec. Spec:	10WGX792	CD Diagram:	
Enclosure:	TEFC	Mfg Plant:		Mech. Spec:	10F818	Layout:	
Frame:	286TS	Mounting:	F1	Poles:	02	Created Date:	
Base:	RG	Rotation:	R	Insulation:	F	Eff. Date:	10-04-2012
Leads:	3#10	Literature:		Elec. Diagram:		Replaced By:	

Nameplate NP2155

STK.NO.	ECP84108T-4	P/N		ENCLOSURE	TEFC		
SPEC.	10F818X792	CC	010A	FRAME	286TS	S/N	
HP	30	CLASS	F	HZ	60		
RPM	3520	T. CODE	T3	PH	3	DES	B
VOLT	460	KVA-CODE	G	ODE BRG	6311	DE BRG	6311
AMP	33	MOTOR WEIGHT	390				
RATING	40C AMB-CONT	MAX. KVAR	3.7	GREASE	POLYREX EM		
NEMA-NOM-EFF	91.7	# OF ROTOR BARS	28	SER.F.	1.15		
G.MIN.EFF	91.7	# OF STATOR SLOTS	36	PF	90		
HTR-VOLTS		HTR-AMPS		MAX. SPACE HEATER TEMP.			

Parts List		
Part Number	Description	Quantity
SA138087	SA 10F818X792	1.000 EA
RA127659	RA 10F818X792	1.000 EA
37FN3002C03	EXFN, PLASTIC, 6.00 OD, 1.690 ID	1.000 EA
10CB1000A09P	CONDUIT BOX, MACH W/EPOXY PRIMER	1.000 EA
09GS1010	GASKET, DWG, LEADWIRE SEPERATOR	1.000 EA
10XN3118K16	5/16-18 X 1" GRADE #5, STL, ZINC PLATE	4.000 EA
HW1001A31	LOCKWASHER 5/16, ZINC PLT.591 OD, .319 I	3.000 EA
WD1000B16	KPA-4C BURNDY TERMINAL	1.000 EA
10XN2520K06	1/4-20 X 3/8" HX HD SCREWGRADE 5, ZINC P	1.000 EA
10CB1503A01P	CONDUIT BOX LIPPED LID, MACH W/EPXY PRMR	1.000 EA
14GS1003	GASKET CONDUIT BOX LID, NEOP	1.000 EA
10XN2520K16	1/4-20 X 1" HX HD SCRW GRADE 5, ZINC P	4.000 EA
HW1001A25	LOCKWASHER 1/4, ZINC PLT .493 OD, .255 I	4.000 EA
MJ5004A59	ADHESIVE LOCTITE #401 SURFACE INSENSITIV	0.010 EA
HW2501G17	KEY, 3/8 SQ X 1.875	1.000 EA
MJ5001A01	46-665 RED SEALER	0.031 QT
MJ5001A14	DYNAPRO SEAL, CP MOTORS VC#2508050 (603	0.033 EA
MJ5002A01	SILICON RUBBER SEALANT, 732CL 10.3 OZ TU	0.025 EA
LB1115	LABEL,LIFTING DEVICE	1.000 EA
LB5040	INSTRUCTION TAG, AC & DC	1.000 EA
LB1002	LABEL,MARINE DUTY (ON ROLLS)	1.000 EA
WD1000B49	TERMINAL BURNDY YAV10-T4	3.000 EA
10EP1110A02GP6	FR ENDPLATE, MACH W/PRIMER & PAINT	1.000 EA
HW4500A21	1618BALEMITE FITTING 825 UNIVERSAL	1.000 EA

Parts List (continued)		
Part Number	Description	Quantity
HW4500A17	317400 ALEMITE GREASE RELIEF	1.000 EA
HA4051A00	PLASTIC CAP FOR GREASE FITTING	1.000 EA
HW4500A03	GREASE FITTING, .125 NPT 1610(ALEMITE) 8	1.000 EA
HW4500A17	317400 ALEMITE GREASE RELIEF	1.000 EA
HW2500A25	WOODRUFF KEY USA #1008 #BLOW CARBON STEE	1.000 EA
51XB1214A20	12-14X1.25 HXWSSLD SERTYB	1.000 EA
MG1025N19	PAINT, 778.50 WILKO, RELIANCE ELEC GREEN	0.070 GA
85XU0407S04	4X1/4 U DRIVE PIN STAINLESS	4.000 EA
LB1449	DIV-2/NEC WARNING LABEL	1.000 EA
LB1119	WARNING LABEL	1.000 EA
LB1125C02	SUPER-E (STOCK CTN LABEL SUPER-E WITH FL	4.000 EA
LB1357	ENERGY GUIDE LABEL (BOX LABEL)	1.000 SH
LC0006	CONNECTION LABEL	1.000 EA
NP2155	IEEE-841,NP, ECP, DIV 2	1.000 EA
10PA1000	PACKAGING GROUP COMBINED PRINT PK1023A06	1.000 EA
MJ1000A75	GREASE, POLYREX EM EXXON	0.130 LB
HA4051A00	PLASTIC CAP FOR GREASE FITTING	1.000 EA
HW1001A31	LOCKWASHER 5/16, ZINC PLT.591 OD, .319 I	4.000 EA
WD1000B16	KPA-4C BURNDY TERMINAL	1.000 EA
10XN2520K06	1/4-20 X 3/8" HX HD SCREWGRADE 5, ZINC P	1.000 EA
HW1001A25	LOCKWASHER 1/4, ZINC PLT .493 OD, .255 I	1.000 EA
HW4500A20	1/8NPT SL PIPE PLUG	1.000 EA
10XN3816K28	3/8-16 X 1.75 HEX HD CAP SCREW, GRADE 5	4.000 EA
HW1001A38	LOCKWASHER 3/8, ZINC PLT .688 OD, .382 I	4.000 EA

Parts List (continued)		
Part Number	Description	Quantity
10XN3816K32	BOLT, 3/8-16X2 HH YZ(5)	4.000 EA
HW1001A38	LOCKWASHER 3/8, ZINC PLT .688 OD, .382 I	4.000 EA
HA4002A01	DRAIN PLUG STAINLESS STL	1.000 EA
HW4601A53	INPRO/SEAL VBXX FOR 311 BEARING/310 FRAM	1.000 EA
10XN3118K40	5/16-18 X 2.50" HEX HD, GRADE 5	4.000 EA
10FH1007A24P	FAN COVER, MACH W/EPOXY PRIMER	1.000 EA
10XN3118K16	5/16-18 X 1" GRADE #5, STL, ZINC PLATE	3.000 EA
HA4017A02	.125X2.50 GREASER EXTENS.F/S	1.000 EA
HA4017A10	1/8X1.25 GREASE EXT (F/S)	1.000 EA
HA4024A02	1/8 DOUBLE FEMALE SS CPLG, MCM #4464K351	1.000 EA
HA4002A01	DRAIN PLUG STAINLESS STL	1.000 EA
HW4601A53	INPRO/SEAL VBXX FOR 311 BEARING/310 FRAM	1.000 EA
HW5100A13	W4627-047 WVY WSHER	1.000 EA
10XN3118K40	5/16-18 X 2.50" HEX HD, GRADE 5	4.000 EA
10EP1110A01P	MACH'D EPOXY PRIMED EP	1.000 EA
HW4500A20	1/8NPT SL PIPE PLUG	1.000 EA

Performance Data at 460V, 60Hz, 30.0HP (Typical performance - Not guaranteed values)

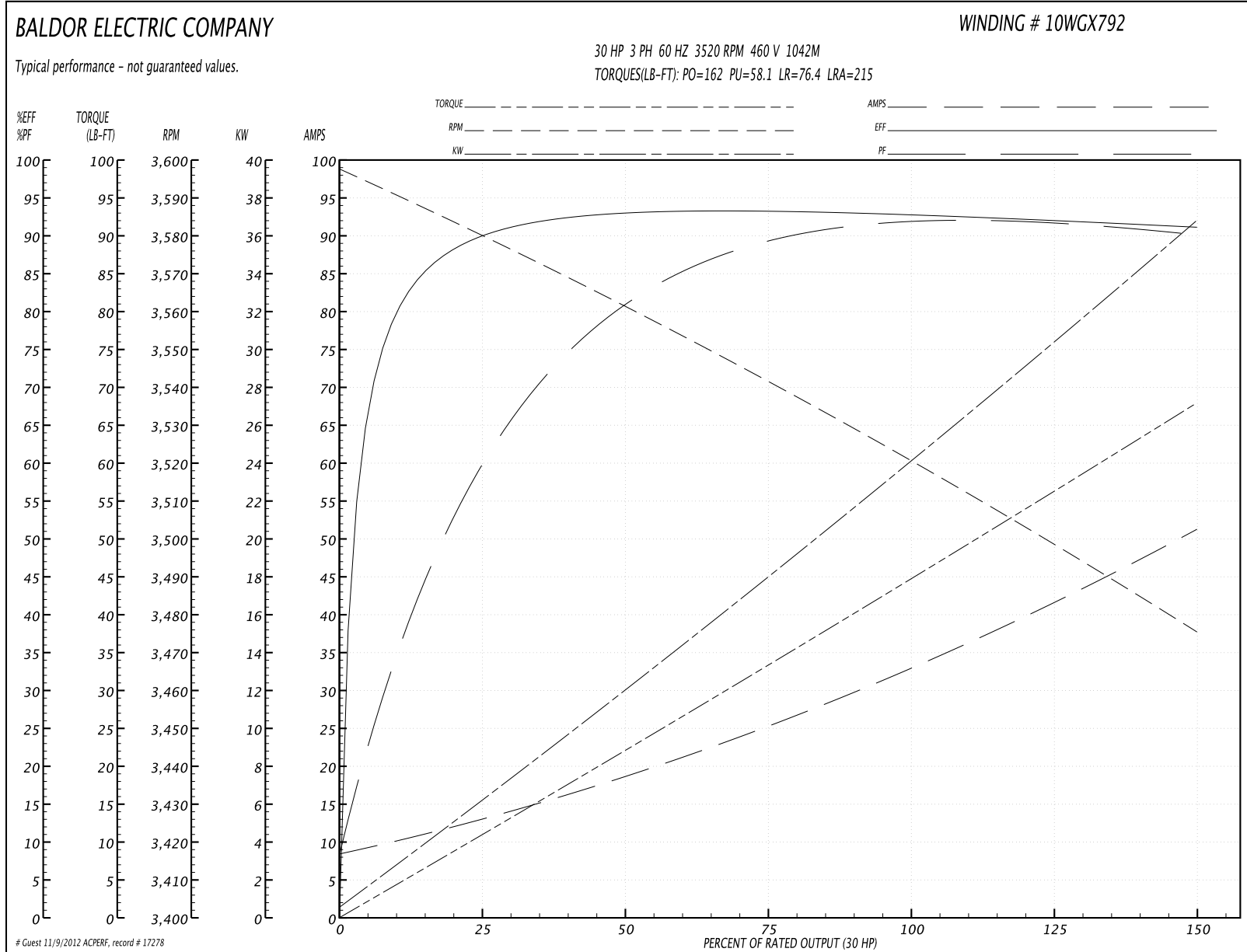
General Characteristics

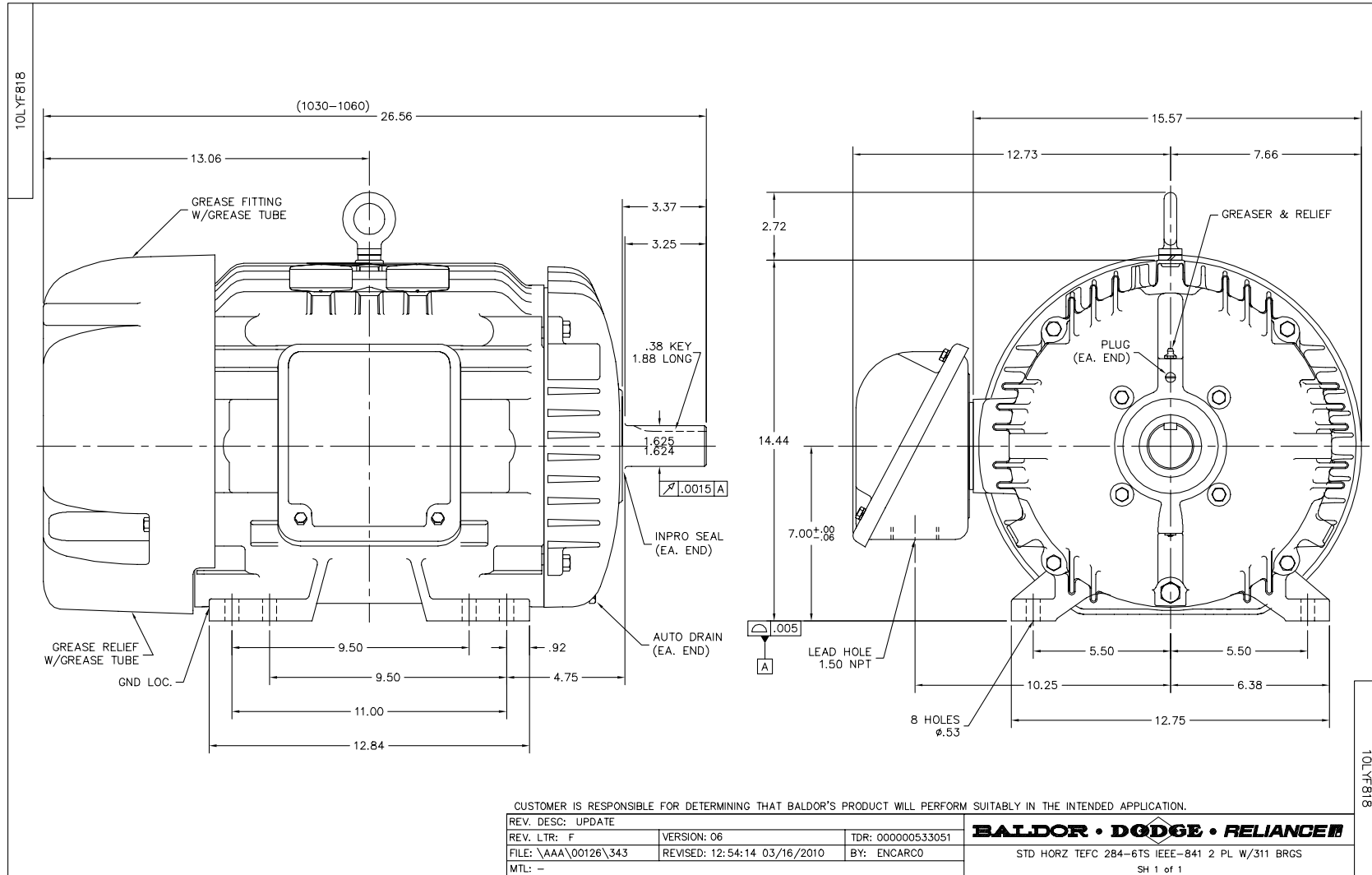
Full Load Torque:	44.5 LB-FT	Start Configuration:	DOL
No-Load Current:	9.03 Amps	Break-Down Torque:	162.0 LB-FT
Line-line Res. @ 25°C.:	0.237 Ohms A Ph / 0.0 Ohms B Ph	Pull-Up Torque:	58.1 LB-FT
Temp. Rise @ Rated Load:	61 C	Locked-Rotor Torque:	76.4 LB-FT
Temp. Rise @ S.F. Load:	75 C	Starting Current:	215.0 Amps

Load Characteristics

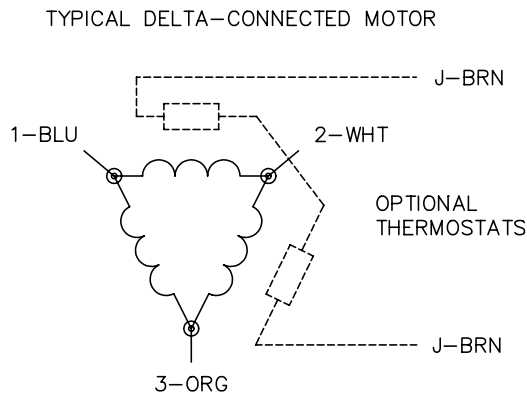
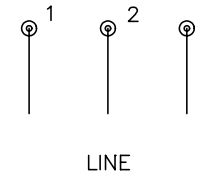
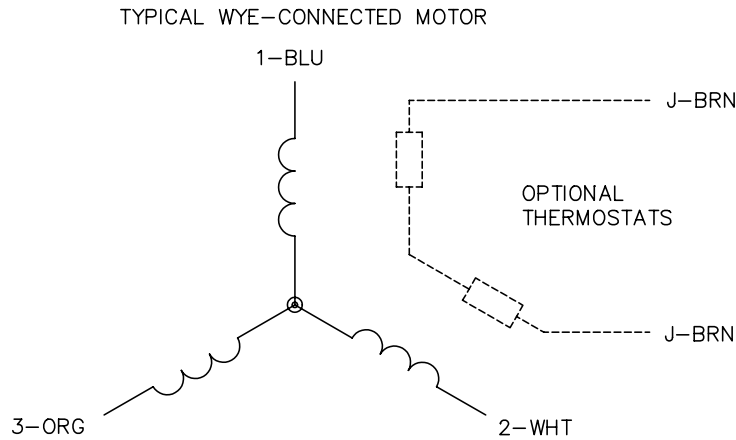
% of Rated Load	25	50	75	100	125	150	S.F.
Power Factor:	64.0	83.0	88.0	91.0	91.0	91.0	91.0
Efficiency:	89.6	92.8	93.4	92.7	92.3	91.1	92.5
Speed:	3579.0	3560.0	3542.0	3522.0	3500.0	3474.0	3509.0
Line Amperes:	12.1	18.4	25.4	33.3	41.8	51.0	38.4

Performance Graph at 460V, 60Hz, 30.0HP Typical performance - Not guaranteed values





CD0006



NOTES:

1. THREE LEAD MOTOR MAY BE EITHER WYE CONNECTED OR DELTA CONNECTED.
2. INTERCHANGE ANY TWO LINE LEADS TO REVERSE ROTATION.
3. OPTIONAL THERMOSTATS ARE PROVIDED WHEN SPECIFIED.
4. ACTUAL NUMBER OF INTERNAL PARALLEL CIRCUITS MAY VARY.
5. LEAD COLORS ARE OPTIONAL. LEADS MUST BE NUMBERED AS SHOWN.

REV. DESC: REVISE TO SHOW OPTIONAL COLORS			
REV. LTR: D	BY: JLP	REVISED: 01/21/99 4:02	TDR: 0171435
9000D		FILE: AAA00005141	MDL: -
		MTL: -	

BALDOR ELECTRIC Co.

3PH, SV, 3 LEADS, WYE OR DELTA CONNECTED

CD0006

LT0019A00									
<p style="text-align: center;">BALDOR MOTORS AND DRIVES</p> <p> <input type="checkbox"/> IEEE 841 <input type="checkbox"/> SPECIAL TEST <input type="checkbox"/> OTHER SPEC. _____ .250 CAT. _____ 2.563 G.O. _____ / _____ S/N _____ NO LOAD _____ VOLTAGE L1: _____ L2: _____ L3: _____ AMPS L1: _____ L2: _____ L3: _____ RESISTANCE L1: _____ L2: _____ L3: _____ RPM _____ ROTATION <input type="checkbox"/> CW <input type="checkbox"/> CCW HEATER RESISTANCE _____ (WHEN REQ'D) VIBRATION (IN/SEC.) _____ OPPOSITE DRIVE END DRIVE END HORZ. VERT. HORZ. VERT. AXIAL. TESTER _____ DATE / / OTHER _____ _____ _____ </p>	<p>NOTE:</p> <ol style="list-style-type: none"> 1) BALDOR LOGO, "NO LOAD", AND "VIBRATION (IN/SEC.)" TO BE CENTERED ON PAGE. 2) "IEEE", "SPECIAL TEST", AND "OTHER" TO BE $\frac{3}{16}$" HIGH. 3) "HEATER RESISTANCE (WHEN REQ'D)" AND "LT0019A00" TO BE $\frac{3}{32}$" HIGH. 4) ALL OTHER LETTERING TO BE $\frac{1}{8}$" HIGH. 								
MTL: 5.5" X 7" 2 PART CARBONLESS WHITE/MANILA									
<table border="1" style="width: 100%; border-collapse: collapse;"> <tr> <td style="width: 50%;">REV. DESC: ADD DIMENSIONS AND MATERIAL INFO</td> <td style="width: 50%; text-align: center;">BALDOR</td> </tr> <tr> <td>REV. LTR: D VERSION: 01 TDR: 000000724943</td> <td style="text-align: center;">MOTOR NO LOAD PERFORMANCE DATA SHEET</td> </tr> <tr> <td>FILE: \AAA\00070\447 REVISED: 04:02:06 08/22/2012</td> <td style="text-align: center;">SH 1 of 1</td> </tr> <tr> <td>MTL: 5.5 X 7 2 PART CARBONLESS WHITE/MANILA BY: ENJERWO</td> <td></td> </tr> </table>		REV. DESC: ADD DIMENSIONS AND MATERIAL INFO	BALDOR	REV. LTR: D VERSION: 01 TDR: 000000724943	MOTOR NO LOAD PERFORMANCE DATA SHEET	FILE: \AAA\00070\447 REVISED: 04:02:06 08/22/2012	SH 1 of 1	MTL: 5.5 X 7 2 PART CARBONLESS WHITE/MANILA BY: ENJERWO	
REV. DESC: ADD DIMENSIONS AND MATERIAL INFO	BALDOR								
REV. LTR: D VERSION: 01 TDR: 000000724943	MOTOR NO LOAD PERFORMANCE DATA SHEET								
FILE: \AAA\00070\447 REVISED: 04:02:06 08/22/2012	SH 1 of 1								
MTL: 5.5 X 7 2 PART CARBONLESS WHITE/MANILA BY: ENJERWO									

LT0019A00