

BALDOR® • **RELIANCE**

Product Information Packet

ECP84111T-5

25HP, 1180RPM, 3PH, 60HZ, 324T, 1264M, TEFC, F1

Copyright © All product information within this document is subject to Baldor Electric Company copyright © protection, unless otherwise noted.

Part Detail							
Revision:	C	Status:	PRD/A	Change #:		Proprietary:	No
Type:	AC	Prod. Type:	1264M	Elec. Spec:	12WGY446	CD Diagram:	
Enclosure:	TEFC	Mfg Plant:		Mech. Spec:	12E599	Layout:	
Frame:	324T	Mounting:	F1	Poles:	06	Created Date:	06-08-2011
Base:	RG	Rotation:	R	Insulation:	F	Eff. Date:	06-25-2012
Leads:	3#8	Literature:		Elec. Diagram:		Replaced By:	

Nameplate NP2155

STK.NO.	ECP84111T-5	P/N		ENCLOSURE	TEFC		
SPEC.	12E599Y446	CC	010A	FRAME	324T	S/N	
HP	25	CLASS	F	HZ	60		
RPM	1180	T. CODE	T3	PH	3	DES	B
VOLT	575	KVA-CODE	G	ODE BRG	6312	DE BRG	6312
AMP	25.4	MOTOR WEIGHT	635				
RATING	40C AMB-CONT	MAX. KVAR	8.5	GREASE	POLYREX EM		
NEMA-NOM-EFF	93	# OF ROTOR BARS	42	SER.F.	1.15		
G.MIN.EFF	91.7	# OF STATOR SLOTS	54	PF	80		
HTR-VOLTS		HTR-AMPS		MAX. SPACE HEATER TEMP.			

Parts List		
Part Number	Description	Quantity
SA224876	SA 12E599Y446	1.000 EA
RA211977	RA 12E599Y446	1.000 EA
09FN3001B03SP	EXTERNAL FAN, PLASTIC	1.000 EA
WD1000B19	TERMINAL BURNDY L250HP	1.000 EA
10XN3816K08	3/8-16 X .50 HEX HD CAP SCREW GRADE 5	1.000 EA
10CB1000A04P	CONDUIT BOX, MACH W/EPOXY PRIMER	1.000 EA
09GS1010	GASKET, DWG, LEADWIRE SEPERATOR	1.000 EA
10XN3118K16	5/16-18 X 1" GRADE #5, STL, ZINC PLATE	4.000 EA
HW1001A31	LOCKWASHER 5/16, ZINC PLT.591 OD, .319 I	4.000 EA
WD1000B16	KPA-4C BURNDY TERMINAL	1.000 EA
10XN2520K06	1/4-20 X 3/8" HX HD SCREWGRADE 5, ZINC P	1.000 EA
HW1001A25	LOCKWASHER 1/4, ZINC PLT .493 OD, .255 I	1.000 EA
HA3400A32	STUD, 1/2-13 X 7.38	4.000 EA
HW4500A20	1/8NPT SL PIPE PLUG	1.000 EA
HA4017A01	1/8 X 4 GREASE EXT (F/S)	1.000 EA
HA4017A11	1/8 X 2.75 GREASE EXT (F/S)	1.000 EA
HA4024A02	1/8 DOUBLE FEMALE SS CPLG, MCM #4464K351	1.000 EA
HA4002A01	DRAIN PLUG STAINLESS STL	1.000 EA
HW4601A55	INPRO/SEAL #1698-A-M0022-0 VBXX 312 BRG/	1.000 EA
HW5100A15	W4997-050 WVY WSHR (WB)	1.000 EA
10XN3118K40	5/16-18 X 2.50" HEX HD, GRADE 5	4.000 EA
12EP1111A01P	SPL PUEP 312 BRG FOR INPRO SEAL W/EPOXY	1.000 EA
HW4500A20	1/8NPT SL PIPE PLUG	1.000 EA
10XN5013K28	1/2-13 X 1.75 HEX HEAD MACH SCREW,GRAD	4.000 EA

Parts List (continued)		
Part Number	Description	Quantity
HW1001A50	LOCKWASHER 1/2, ZINC PLT, .879 OD, .509 I	4.000 EA
HA4002A01	DRAIN PLUG STAINLESS STL	1.000 EA
HW4601A55	INPRO/SEAL #1698-A-M0022-0 VBXX 312 BRG/	1.000 EA
10XN3118K40	5/16-18 X 2.50" HEX HD, GRADE 5	4.000 EA
12FH1002A15P	FAN COVER, MACH W/EPOXY PRIMER	1.000 EA
XY5013A12	NUT, 1/2-13, HEX, STEEL, ZINCPLATED	4.000 EA
HW1001A50	LOCKWASHER 1/2, ZINC PLT, .879 OD, .509 I	4.000 EA
HW1001A50	LOCKWASHER 1/2, ZINC PLT, .879 OD, .509 I	4.000 EA
10CB1503A01P	CONDUIT BOX LIPPED LID, MACH W/EPXY PRMR	1.000 EA
14GS1003	GASKET CONDUIT BOX LID, NEOP	1.000 EA
10XN2520K16	1/4-20 X 1" HX HD SCRW GRADE 5, ZINC P	4.000 EA
HW1001A25	LOCKWASHER 1/4, ZINC PLT .493 OD, .255 I	4.000 EA
MJ5004A59	ADHESIVE LOCTITE #401 SURFACE INSENSITIV	0.010 EA
HW2501H33	KEY, 1/2 SQ X 3.875	1.000 EA
MJ5001A01	46-665 RED SEALER	0.031 QT
MJ5001A14	DYNAPRO SEAL, CP MOTORS VC#2508050 (603	0.029 EA
LB1115	LABEL, LIFTING DEVICE	1.000 EA
LB5040	INSTRUCTION TAG, AC & DC	1.000 EA
LB1002	LABEL, MARINE DUTY (ON ROLLS)	1.000 EA
WD1000B48	TERMINAL, BURNDY YAV8C-L3	3.000 EA
12EP1111A02GP6	FR ENDPLATE, MACH W/EPOXY PRIMER & RELIA	1.000 EA
HW4500A21	1618BALEMITE FITTING 825 UNIVERSAL	1.000 EA
HA4051A00	PLASTIC CAP FOR GREASE FITTING	1.000 EA
HW4500A17	317400 ALEMITE GREASE RELIEF	1.000 EA

Parts List (continued)		
Part Number	Description	Quantity
MJ1000A75	GREASE, POLYREX EM EXXON	0.200 LB
HW4500A03	GREASE FITTING, .125 NPT 1610(ALEMITE) 8	1.000 EA
HA4051A00	PLASTIC CAP FOR GREASE FITTING	1.000 EA
HW4500A17	317400 ALEMITE GREASE RELIEF	1.000 EA
HW2500A25	WOODRUFF KEY USA #1008 #BLOW CARBON STEE	1.000 EA
51XB1214A20	12-14X1.25 HXWSSLD SERTYB	1.000 EA
MG1025N19	PAINT, 778.50 WILKO, RELIANCE ELEC GREEN	0.080 GA
85XU0407S04	4X1/4 U DRIVE PIN STAINLESS	4.000 EA
LB1449	DIV-2/NEC WARNING LABEL	1.000 EA
LB1119	WARNING LABEL	1.000 EA
LB1125C02	SUPER-E (STOCK CTN LABEL SUPER-E WITH FL	4.000 EA
LB1357	ENERGY GUIDE LABEL (BOX LABEL)	1.000 SH
LC0006	CONNECTION LABEL	1.000 EA
NP2155	IEEE-841,NP, ECP, DIV 2	1.000 EA
12PA1000	PACKAGING GROUP COMBINED PRINT PK1024A06	1.000 EA

Performance Data at 575V, 60Hz, 25.0HP (Typical performance - Not guaranteed values)

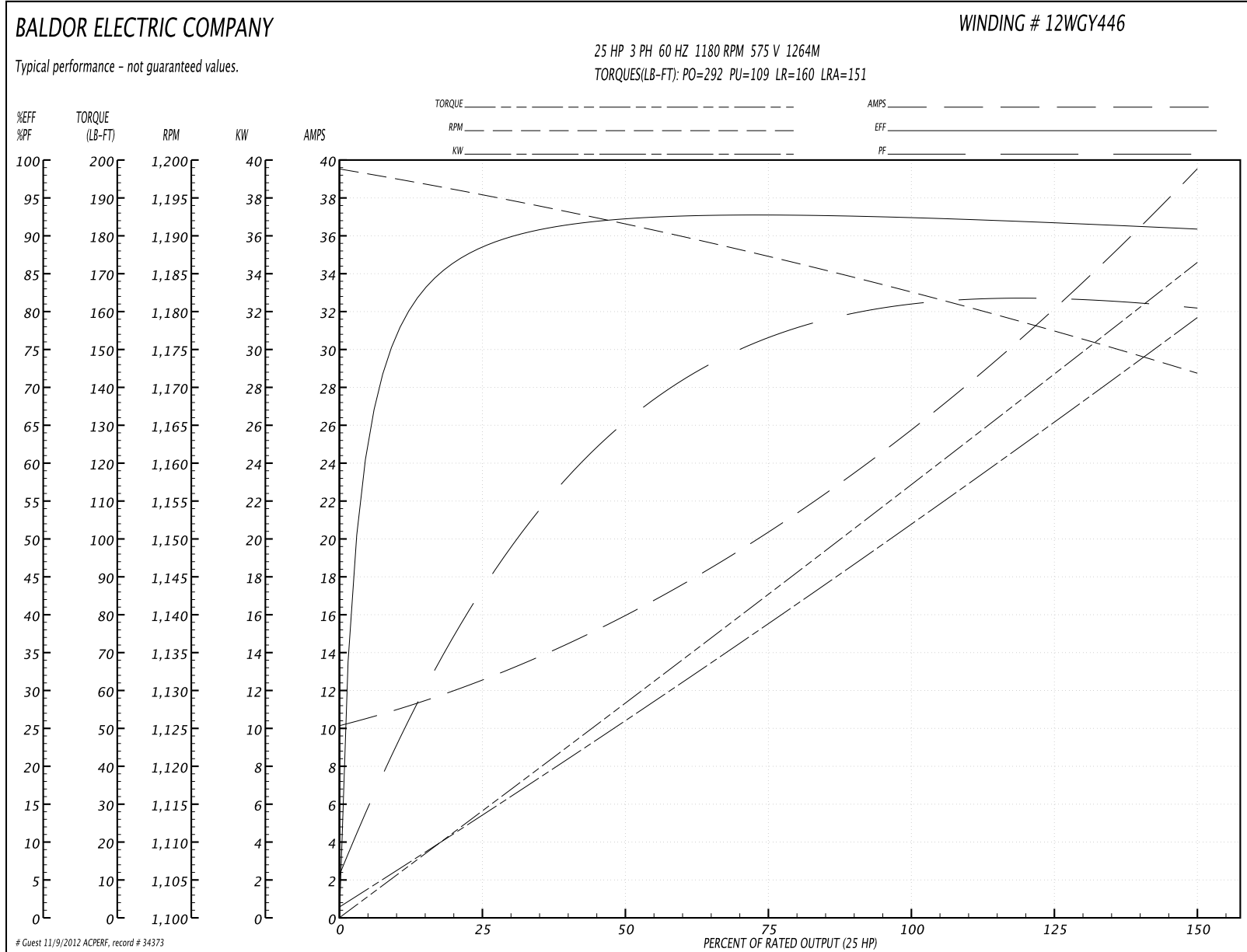
General Characteristics

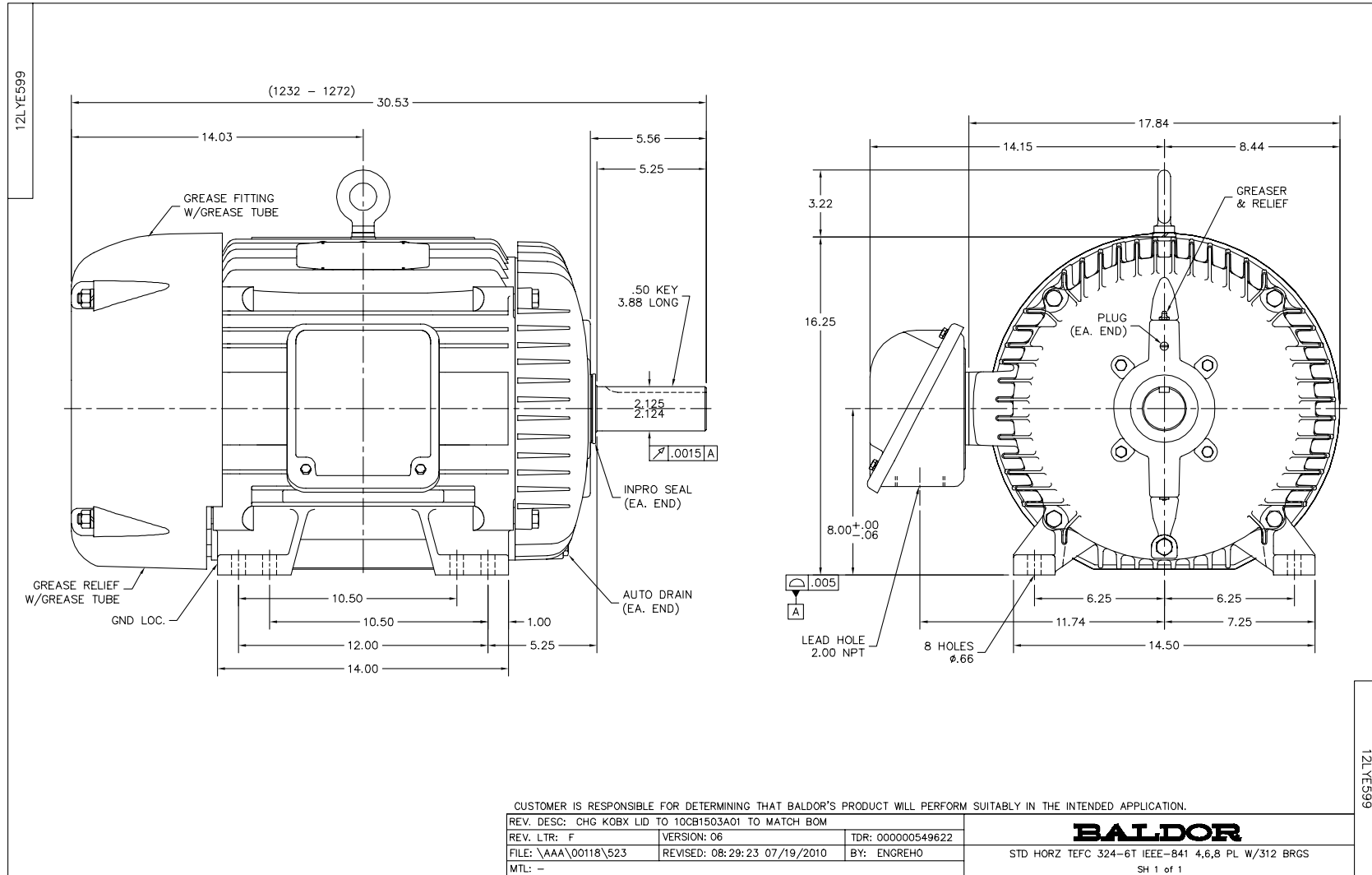
Full Load Torque:	111.0 LB-FT	Start Configuration:	DOL
No-Load Current:	10.5 Amps	Break-Down Torque:	292.0 LB-FT
Line-line Res. @ 25°C.:	0.443 Ohms A Ph / 0.0 Ohms B Ph	Pull-Up Torque:	109.0 LB-FT
Temp. Rise @ Rated Load:	46 C	Locked-Rotor Torque:	160.0 LB-FT
Temp. Rise @ S.F. Load:	57 C	Starting Current:	151.0 Amps

Load Characteristics

% of Rated Load	25	50	75	100	125	150	S.F.
Power Factor:	45.0	66.0	76.0	80.0	81.0	81.0	81.0
Efficiency:	87.6	92.1	93.0	93.0	92.3	91.1	92.6
Speed:	1195.0	1192.0	1188.0	1183.0	1178.0	1172.0	1180.0
Line Amperes:	12.1	15.4	20.1	25.4	31.3	39.3	28.9

Performance Graph at 575V, 60Hz, 25.0HP Typical performance - Not guaranteed values





CD0006



NOTES:

1. THREE LEAD MOTOR MAY BE EITHER WYE CONNECTED OR DELTA CONNECTED.
2. INTERCHANGE ANY TWO LINE LEADS TO REVERSE ROTATION.
3. OPTIONAL THERMOSTATS ARE PROVIDED WHEN SPECIFIED.
4. ACTUAL NUMBER OF INTERNAL PARALLEL CIRCUITS MAY VARY.
5. LEAD COLORS ARE OPTIONAL. LEADS MUST BE NUMBERED AS SHOWN.

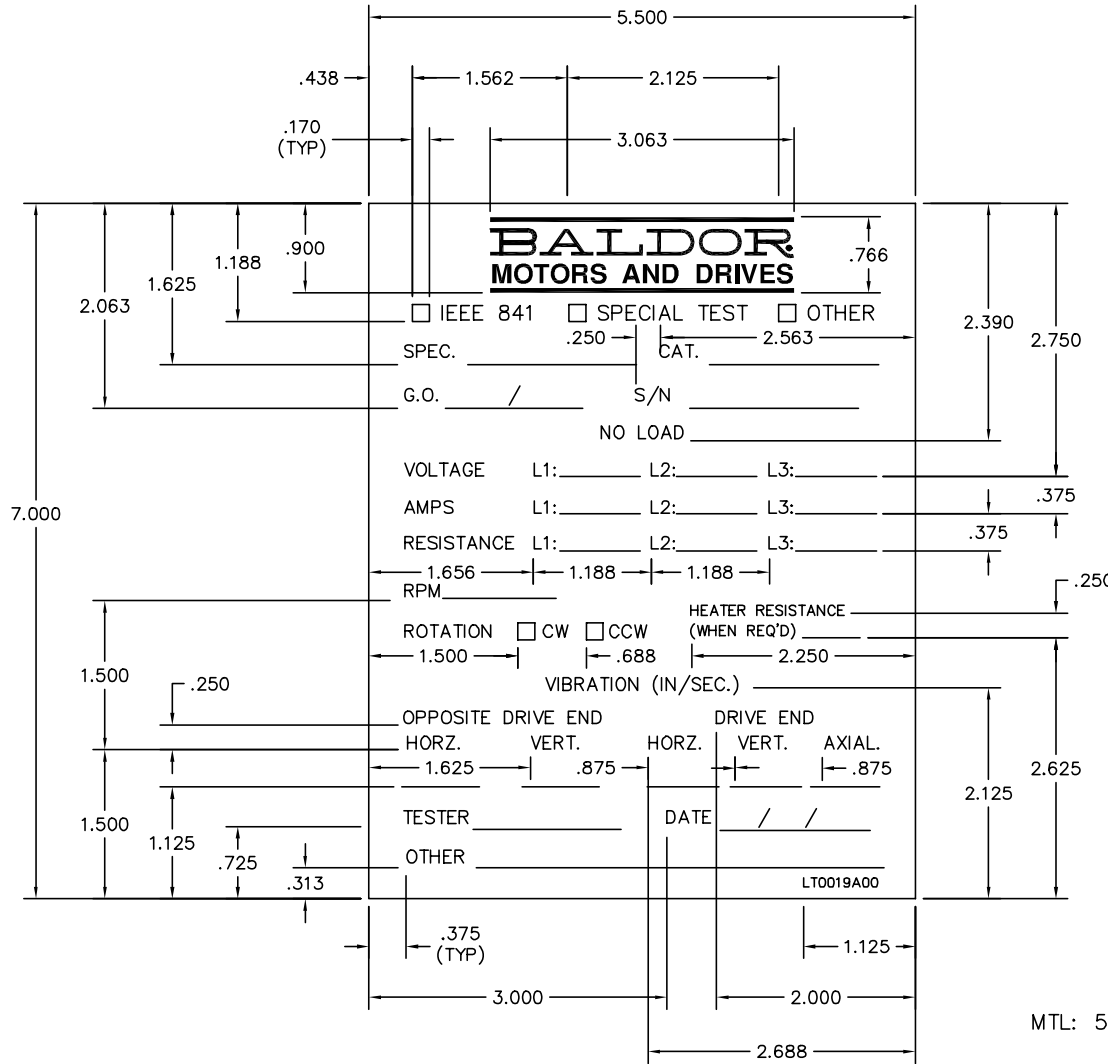
REV. DESC: REVISE TO SHOW OPTIONAL COLORS			
REV. LTR: D	BY: JLP	REVISED: 01/21/99 4:02	TDR: 0171435
9000D		FILE: AAA00005141	MDL: -
		MTL: -	

BALDOR ELECTRIC Co.

3PH, SV, 3 LEADS, WYE OR DELTA CONNECTED

CD0006

LT0019A00



- NOTE:
- 1) BALDOR LOGO, "NO LOAD", AND "VIBRATION (IN/SEC.)" TO BE CENTERED ON PAGE.
 - 2) "IEEE", "SPECIAL TEST", AND "OTHER" TO BE $\frac{3}{16}$ " HIGH.
 - 3) "HEATER RESISTANCE (WHEN REQ'D)" AND "LT0019A00" TO BE $\frac{3}{32}$ " HIGH.
 - 4) ALL OTHER LETTERING TO BE $\frac{1}{8}$ " HIGH.

MTL: 5.5" X 7" 2 PART CARBONLESS WHITE/MANILA

LT0019A00

REV. DESC: ADD DIMENSIONS AND MATERIAL INFO		
REV. LTR: D	VERSION: 01	TDR: 000000724943
FILE: \AAA\00070\447	REVISED: 04:02:06 08/22/2012	
MTL: 5.5 X 7 2 PART CARBONLESS WHITE/MANILA	BY: ENJERWO	

BALDOR

MOTOR NO LOAD PERFORMANCE DATA SHEET

SH 1 of 1